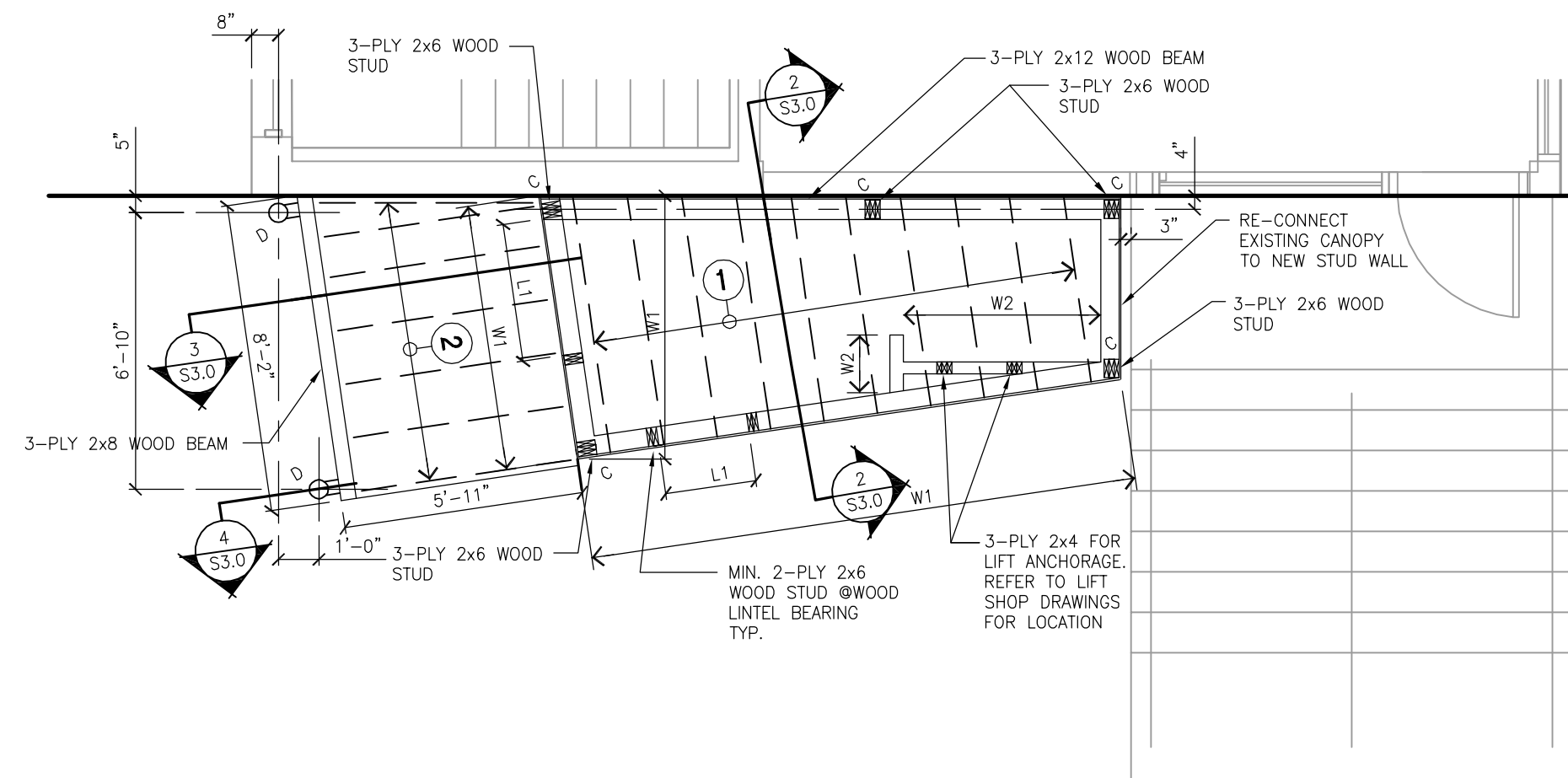


FILE NAME: 7080-S03.00.DWG  
 DATE: 2007.10.04  
 DESCRIPTION: ROOF FRAMING PLAN/ ROOF SECTIONS  
 PROJECT No.: 2004-023  
 ADDRESS: 1400 HENDERSON HWY.



STUD WALL SCHEDULE	
MARK	WOOD STUDS SIZE, TYPE AND SPACING
W1	2 x 6 SPF NO. 1/ NO. 2 @12" O/C
W2	2 x 4 SPF NO. 1/ NO. 2 @16" O/C

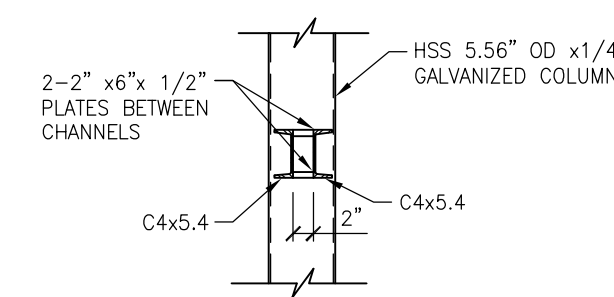
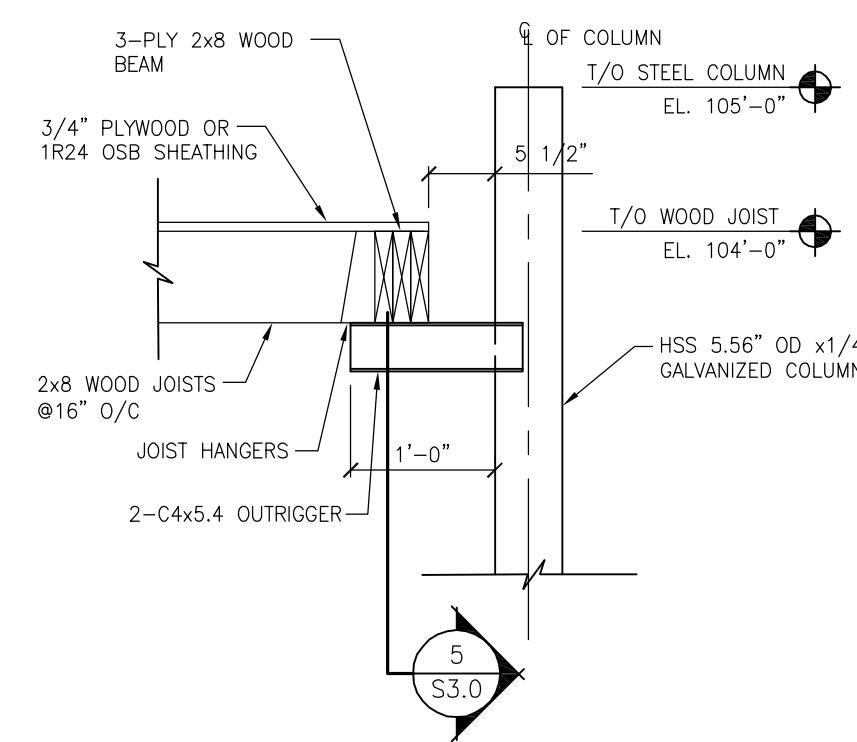
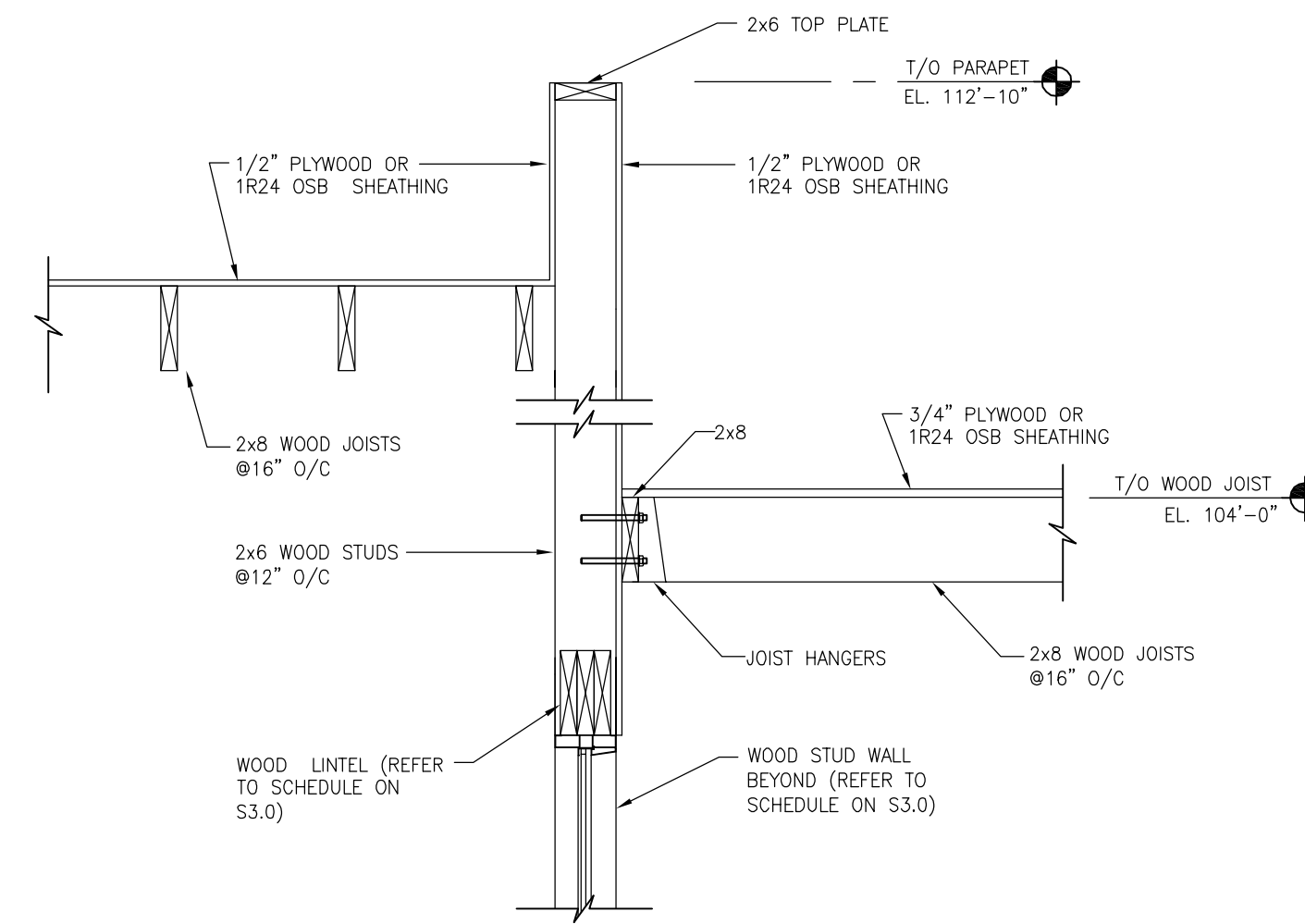
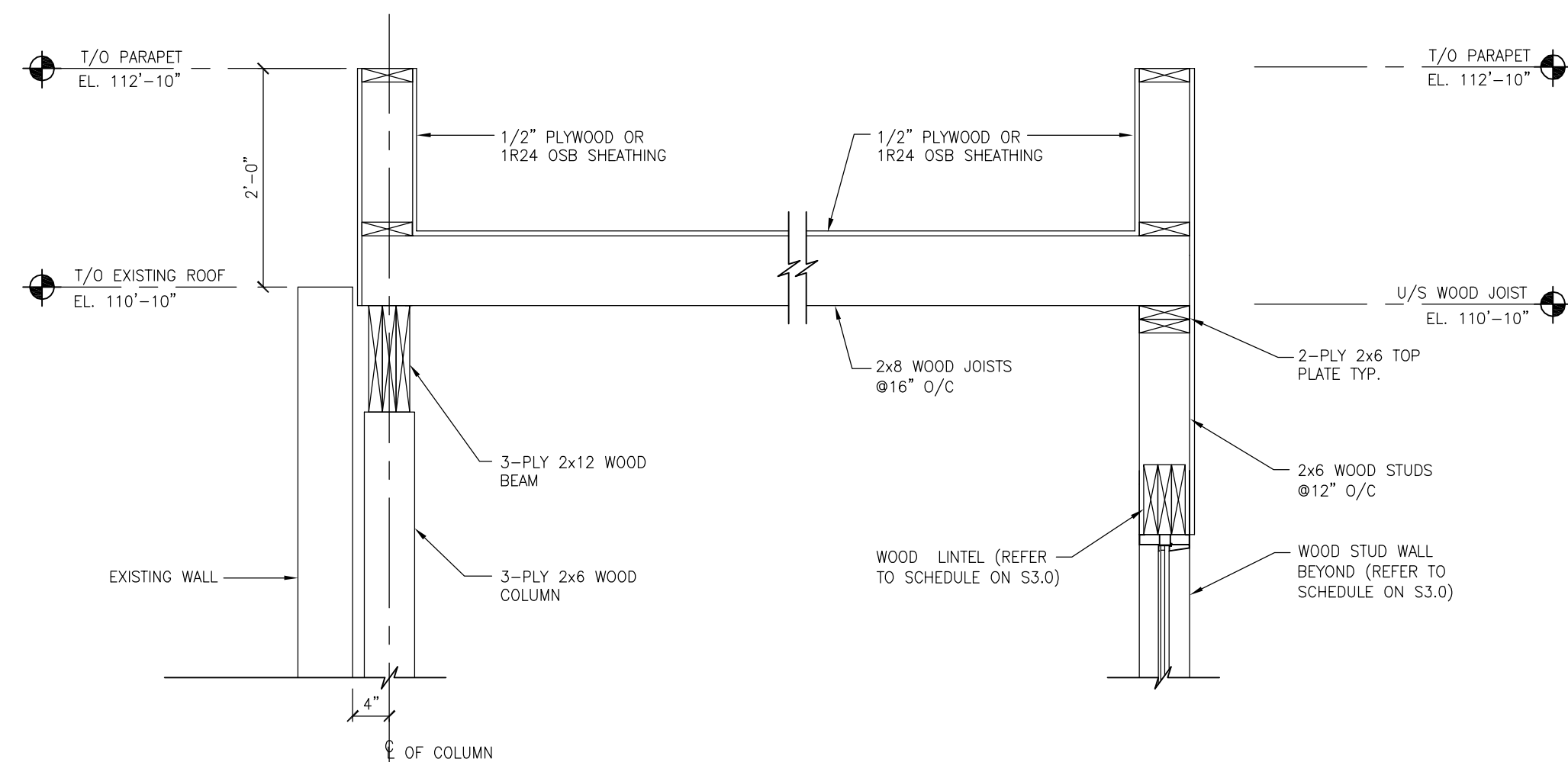
**NOTES:**  
 - WALLS "W1" ARE LOAD BEARING WALLS.  
 - WALLS "W2" ARE INTERIOR WALLS FOR HADICAP LIFT.  
 - ALL LOAD BEARING WALLS TO BE SHEATHED WITH 1/2" PLYWOOD OR 1R24 OSB ON ONE SIDE MINIMUM.  
 - ALL SHEATHING TO BE FASTENED WITH 3" NAILS @6" O/C ON PANEL EDGES AND @12" O/C FOR INTERMEDIATE TYP. U.N.C.

LINTEL SCHEDULE	
MARK	SIZE/ TYPE
L1	3-PLY 2x8 SPF NO. 1/NO. 2

WOOD JOIST SCHEDULE		
MARK	SIZE/ TYPE	LIVE LOAD
①	2x8 @16" SPF NO. 1/NO. 2	36 psf
②	2x8 @16" SPF NO. 1/NO. 2	85 psf

COLUMN SCHEDULE		
MARK	COLUMN	BASEPLATE SIZE
A	HSS4x4x3/16	10"x10"x3/4"
B	HSS4x4x3/16	10"x5"x3/4"
C	3-PLY 2x6	---
D	GALVANIZED HSS 5 9/16x1/4	11"x7"x5/8"

**NOTE:**  
 FOR COLUMNS "C" PROVIDE SIMPSON ABU ANCHOR OR EQUAL FOR COLUMN TO CONCRETE CONNECTION.



NOTES :

ORIGINAL STAMPED BY: N. MARTINEZ, P. ENG.  
 DATE: 2007.10.04

NO.	REVISION/DESCRIPTION	BY	DATE
1.	ISSUED FOR TENDER	NM	OCT 04/07

CONSULTANT: TOWER PROJECT NO. : 7080  
**TOWER ENGINEERING GROUP**  
 208 - 897 CORYDON AVE. WINNIPEG, MB. R3M 0W7  
 TEL: (204) 925-1150 FAX: (204) 925-1155  
 EMAIL: towereng@towereng.co WEB: www.towereng.co



DRAWN BY: SM CHECKED BY: USER APPROVAL APPROVED  
 DATE: 2007.10.04

CITY OF WINNIPEG  
 PLANNING, PROPERTY & DEVELOPMENT DEPARTMENT  
 CIVIC ACCOMMODATIONS DIVISION  
 300 - 65 GARRY ST. R3C 4K4

PROJECT: COMMUNITY POLICE SERVICE CENTRE

1400 HENDERSON HWY.

SHEET TITLE: ROOF FRAMING PLAN  
 ROOF SECTIONS

SCALE	PROJECT NO.	SHEET NO.
AS SHOWN	2004-023	S3.0

DRAWING SHEET SIZE: A1 (841mm x 594mm) PLOT 1:1