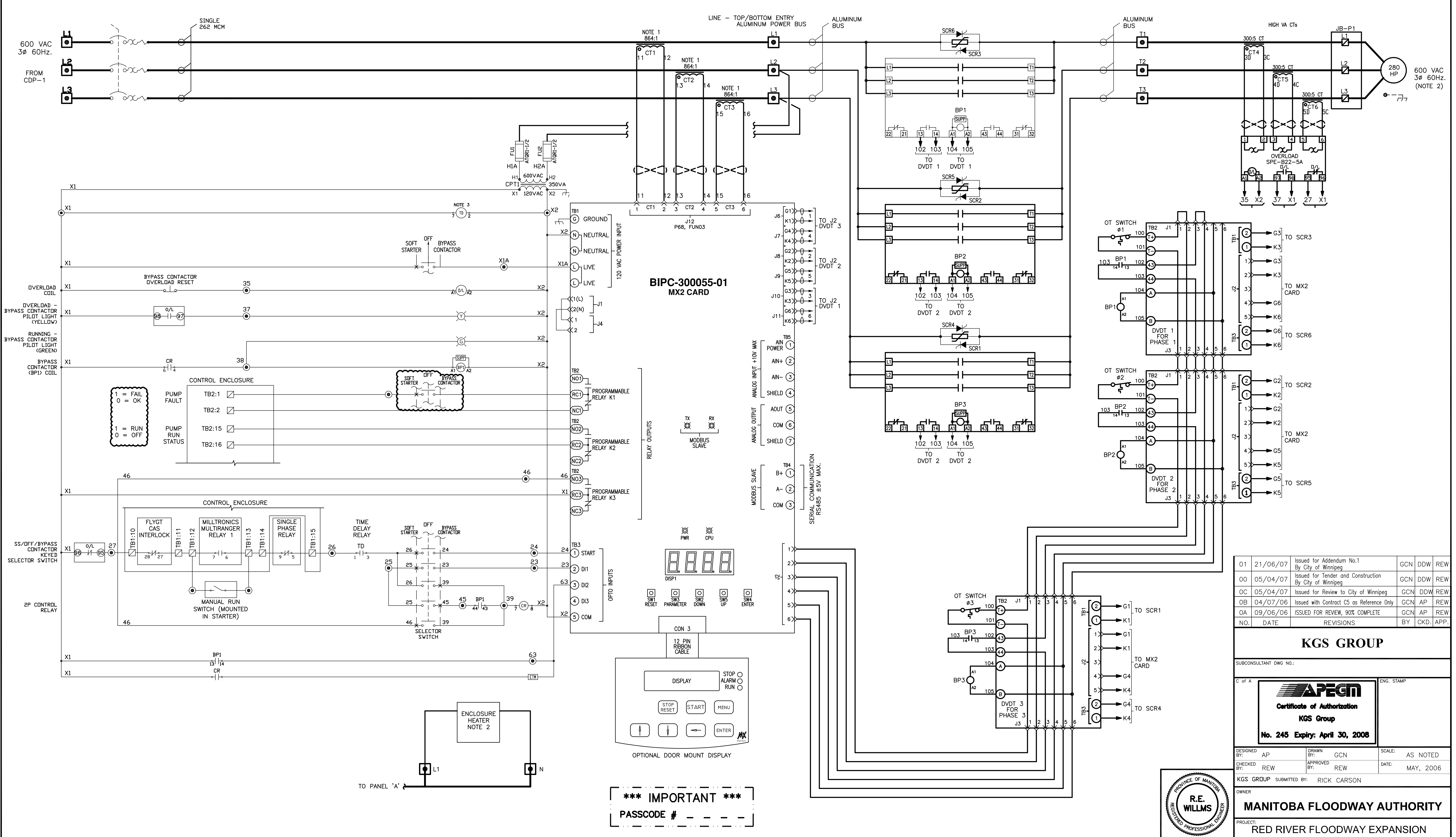


24"x36"/[609x914]
 P:\Projects\2005\05-0107-17\Elect\Draws\CC5-48aE-003c-01-01.dwg - Jun 21, 2007 - 11:39am - User:Gnelson
 Tab: E-003 -



NOTES

1. INCOMING POWER THROUGH CT'S. SEE CT FASTENING DIAGRAM IN INSTRUCTION MANUAL FOR DETAILS.
2. ENCLOSURE HEATER EQUIPPED WITH AN INTEGRAL THERMOSTAT AND MAINTAINS THE INTERNAL ENCLOSURE TEMPERATURE AT 10°C.
3. SOLID-STATE TIMER WITH PROGRAMMABLE ON-DELAY TIME RANGE SETTABLE FROM 0.05 sec TO 300 HOURS ACCEPTABLE PRODUCT: OMRON PART No. H3CR-AB.
4. MAXIMUM RAMP DOWN TIME SHALL BE 10 SECONDS AND THE VOLTAGE SHALL NOT BE ALLOWED TO RAMP BELOW 60% OF FULL VOLTAGE BEFORE SOFT START IS DEACTIVATED TO ALLOW PUMP MOTOR TO COME TO A COMPLETE STOP. VERIFY DECELERATION SETTINGS WITH PUMP MANUFACTURER.

LEGEND

- WIRE NODE SYMBOL MAY HAVE TERMINAL BLOCK
- POWER TERMINAL
- CUSTOMER TERMINAL
- BENSHAW TERMINAL
- DEVICE TERMINAL
- ELAPSED TIME METER
- PC BOARD TERMINALS
- TWISTED PAIR
- FIELD WIRING
- PANEL WIRING
- CONNECTOR
- SHIELDED WIRE

CUSTOMER TERMINALS

L1	L2	L3
T1	T2	T3

***** IMPORTANT *****
 PASSCODE #

NO.	DATE	REVISIONS	BY	CHKD.	APP.
01	21/06/07	Issued for Addendum No.1 By City of Winnipeg	GCN	DDW	REW
00	05/04/07	Issued for Tender and Construction By City of Winnipeg	GCN	DDW	REW
0C	05/04/07	Issued for Review to City of Winnipeg	GCN	DDW	REW
0B	04/07/06	Issued with Contract C5 as Reference Only	GCN	AP	REW
0A	09/06/06	ISSUED FOR REVIEW, 90% COMPLETE	GCN	AP	REW

KGS GROUP

SUBCONSULTANT DWG NO.:
 C of A

APEGM
 Certificates of Authorization
KGS Group
 No. 245 Expiry: April 30, 2008

DESIGNED BY: AP	DRAWN BY: GCN	SCALE: AS NOTED
CHECKED BY: REW	APPROVED BY: REW	DATE: MAY, 2006

KGS GROUP SUBMITTED BY: RICK CARSON
 OWNER
MANITOBA FLOODWAY AUTHORITY

PROJECT:
RED RIVER FLOODWAY EXPANSION
 PHASE:
 MAIN CHANNEL CONTRACT No C5
 TITLE:
KILDARE LAND DRAINAGE FLOOD PUMPING STATION ELECTRICAL WORKS
FLOOD PUMP - FP-1 SCHEMATIC/WIRING DIAGRAM

MFA acceptance:

DOUG McNEIL	VICE PRESIDENT OF ENGINEERING AND CONSTRUCTION
OWNER DWG NO.: CC5-48aE-003c	TSHT. 01 REV. 01

CITY OF WINNIPEG IS RESPONSIBLE FOR MECHANICAL AND ELECTRICAL WORK
 MFA acceptance is limited to the Red River Floodway Expansion project only, and specifically excludes acceptance of any mechanical and electrical works indicated on this drawing, which are incorporated for the purpose of City of Winnipeg Bid Opportunity 238-2007

THE CITY OF WINNIPEG WATER & WASTE DEPARTMENT

 CAD FILE DRAWING NUMBER: CC5-48aE-003c-01-01.dwg
 CITY DRAWING NUMBER: -

