



INSTALL PRESSURE RELIEF WELLS PRIOR TO EXCAVATION SEE DWG 48aC-001c

1500 x 1500 PUMP ACCESS HATCHES (2 OF) SEE DETAIL 1 DRAWING 48aS-012c

PUMP DISCHARGE SHAFT DIVIDER WALL

150mm# LEVEL SENSOR HOUSING PIPE WITH 50mm# VENT PIPE TO GATE CHAMBER (304 STAINLESS STEEL) SEE DETAIL 'B'

EMBEDDED 25mm# PVC CONDUIT FROM LIGHT STANDARD TO ELECTRICAL ROOM

CONCRETE CORBEL FOR LIGHT STANDARD (LIGHT STANDARD TO BE SUPPLIED AND INSTALLED BY OTHERS)

CONCRETE SUPPORT STRUTS (2 PER CHAMBER)

PERSONNEL ACCESS HATCHES (TYP) SEE DET. 1 DWG 48aS-012c

ACCESS LADDER C/W REST PLATFORM AT MID-POINT (3 TYP) SEE DET. 4 DWG 48aS-014c

EMBEDDED 25mm# PVC CONDUIT FROM HIGH LEVEL ALARM TO ELECTRICAL RM.

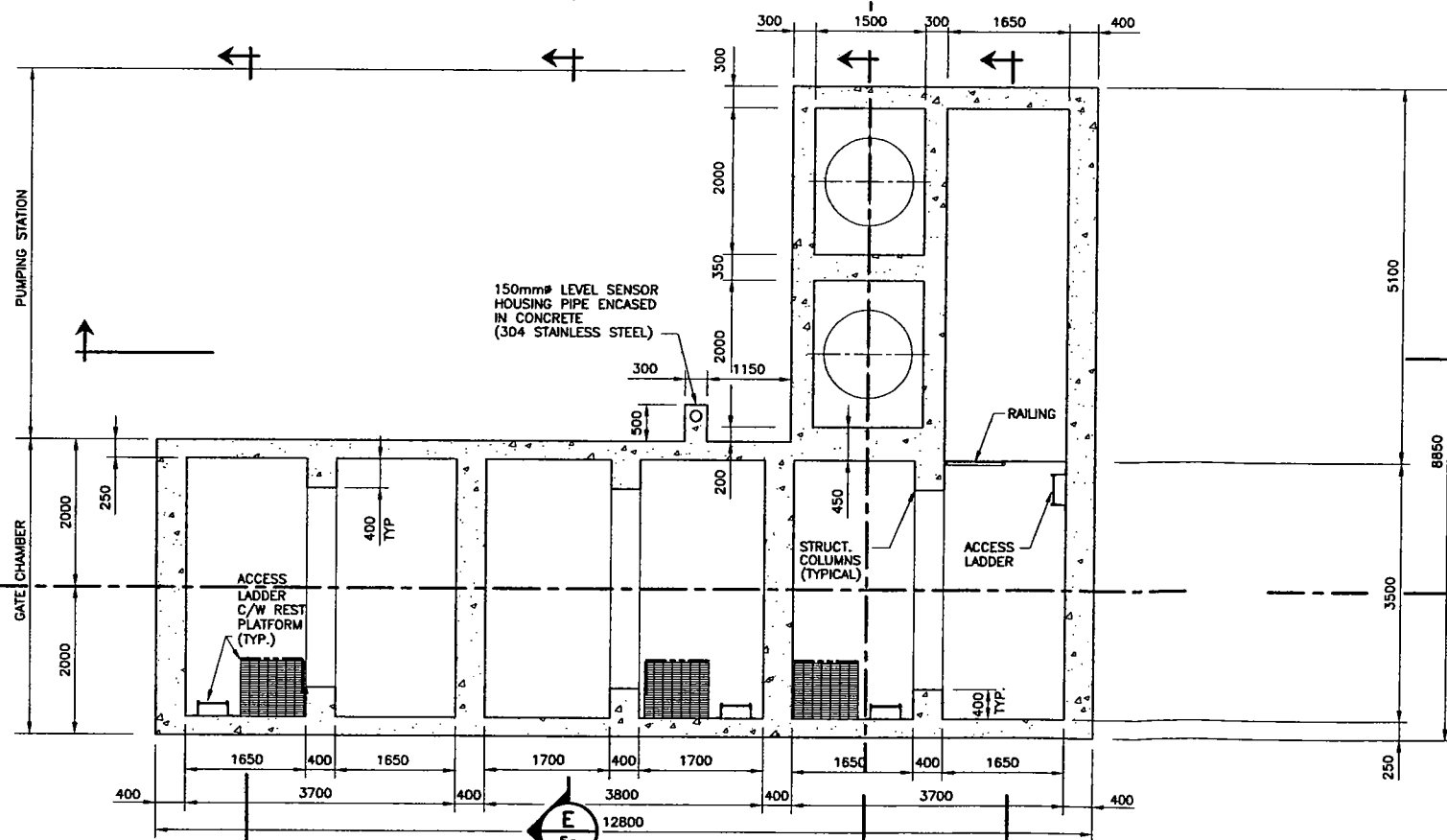
300x600 VENT HOLES TIGHT TO UNDERSIDE OF CONCRETE ROOF

EMBEDDED 25mm# PVC CONDUIT FROM LIGHT STANDARD TO ELECTRICAL ROOM

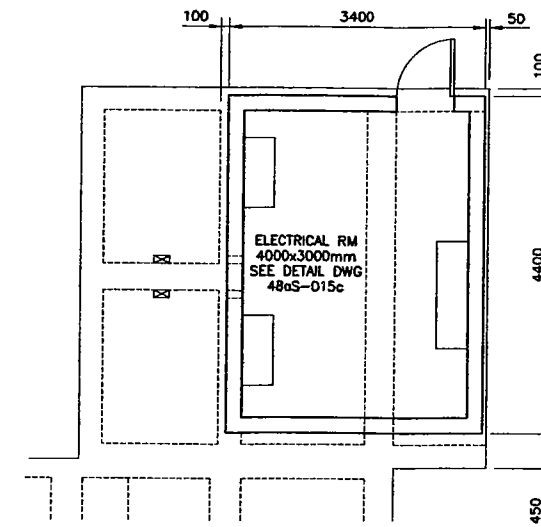
CONCRETE CORBEL FOR LIGHT STANDARD (LIGHT STANDARD TO BE SUPPLIED AND INSTALLED BY OTHERS)

1 GRADE LEVEL PLAN - EL. 237.65m SCALE: 1:50

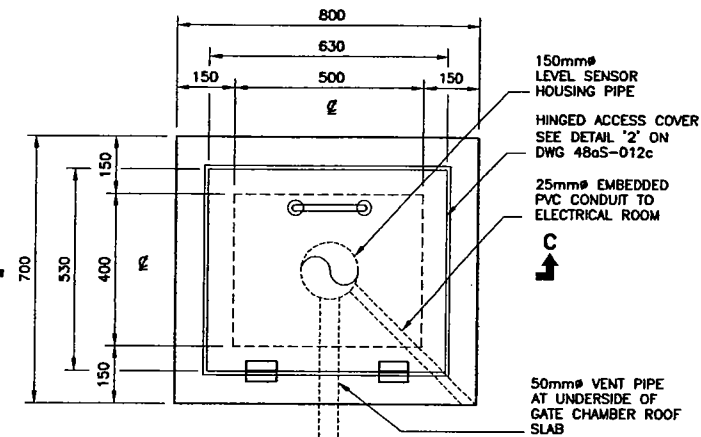
PUMPS



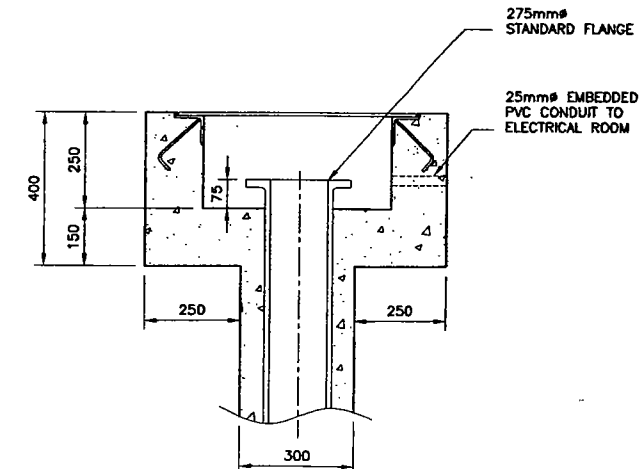
2 PLAN - EL. 232.15m SCALE: 1:50



A DETAIL - ELECTRICAL RM SCALE: 1:50



DETAIL 'B' SCALE: 1:10



SECTION C-C SCALE: 1:10

GENERAL NOTES

1. THESE NOTES ARE TO BE READ IN CONJUNCTION WITH THE PROJECT SPECIFICATION.
2. DO NOT SCALE DRAWINGS.
3. ALL DIMENSIONS ARE GIVEN IN MILLIMETRES, EXCEPT ELEVATIONS ARE IN METRES.
4. ALL WORKS IN THE FIELD TO INCORPORATE PROPER SAFETY PRECAUTIONS TO ENSURE THE SAFETY OF THE WORKERS. MANITOBA FLOODWAY AUTHORITY PROCEDURES AND GUIDELINES ARE TO BE FOLLOWED.
5. LOCATE SERVICES AND PROTECT THEM AT ALL TIMES DURING CONSTRUCTION.

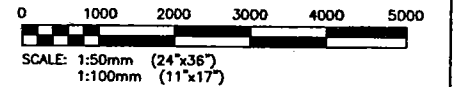
CAST-IN-PLACE CONCRETE

SPECIFICATION SECTIONS SP303, SP304 AND SP305 SHALL BE FOLLOWED FOR ALL CONCRETE WORK CONSTRUCTED UNDER THIS CONTRACT INCLUDING:

1. ALL MATERIALS AND WORKMANSHIP SHALL CONFORM TO CSA STANDARDS CAN/CSA-A23.1M AND CAN/CSA-A23.2-M INCLUDING HEATING/HORING AND REQUIREMENTS FOR COLD WEATHER CONCRETING.
2. CEMENT SHALL BE TYPE 50 SULPHATE RESISTING FOR ALL CONCRETE.
3. ALL NEW CONCRETE SHALL HAVE A MINIMUM COMPRESSIVE STRENGTH OF 35 MPa AT 28 DAYS AND A MINIMUM 25 MPa PRIOR TO REMOVAL OF ELEVATED SLAB AND BEAM FORMWORK AND FALSEWORK.
4. ADVISE CONTRACT ADMINISTRATOR AT LEAST 24 HOURS IN ADVANCE OF INSPECTIONS, AS WORK IS NEARING COMPLETION. DO NOT PLACE REINFORCEMENT WITHOUT FIRST OBTAINING A COPY OF THE REVIEWED SHOP DRAWINGS FROM THE ENGINEER.
5. ALL EXPOSED CORNERS TO HAVE 25mm CHAMFER FILLET UNLESS NOTED OTHERWISE.
6. ALL OUTSIDE FACES OF HEADWALL AND WING WALLS TO BE FORMED USING PERMEABLE FORMWORK LINER.
7. MAINTAIN 75mm COVER ON ALL REINFORCING STEEL SUBJECT TO EARTH FORMS OR POTENTIAL HYDRAULIC EROSION. 50mm EVERYWHERE ELSE.

BACKFILL

1. EXCAVATE AS REQUIRED TO FACILITATE NEW CONSTRUCTION.
2. PLACE COMPACTED GRANULAR BACKFILL AS SHOWN IN MAXIMUM 150 THICK LIFTS TO A MINIMUM COMPACTION OF 95% S.P.M.D.D.



01	29/11/06	REVISED BEAM AND CONST. JOINTS	TF	CMS	JBS
00	04/07/06	ISSUED FOR TENDER AND CONSTRUCTION	TF	CMS	JBS
NO.	DATE	REVISIONS	BY	CHKD.	APP.

KGS GROUP

SUBCONSULTANT DWG NO.:

C of A

ENG. STAMP
THE ORIGINAL ISSUE REV 0 WAS STAMPED, DATED AND SIGNED
BY C.M. SIEPMAN ON 04/07/06 D/M/Y

DESIGNED BY: TF	DRAWN BY: EC	SCALE: AS NOTED
CHECKED BY: CMS	APPROVED BY: J.B. SMITH	DATE: MAY 2006

KGS GROUP SUBMITTED BY: RICK CARSON

OWNER: MANITOBA FLOODWAY AUTHORITY

PROJECT: RED RIVER FLOODWAY EXPANSION

PHASE: MAIN CHANNEL CONTRACT No. C5

TITLE: KILDARE LAND DRAINAGE FLOOD PUMPING STATION

STRUCTURAL WORKS

CONCRETE - SECTIONAL PLANS

AT EL 237.65 AND 232.15

RELEASED FOR CONSTRUCTION:

DOUG McNEIL

VICE PRESIDENT OF ENGINEERING AND CONSTRUCTION

OWNER DWG NO.: CC5-48aS-001c

SHT. 01

REV. 01



24"x36" (609x914) \\\\projects\2005\05-0107-17\Civil\Drawings\REVISED\01\CC5-48aS-001c-01.dwg - Tab: 1c - Apr 05, 2007 - 3:54pm - User:None, jgnitzinger