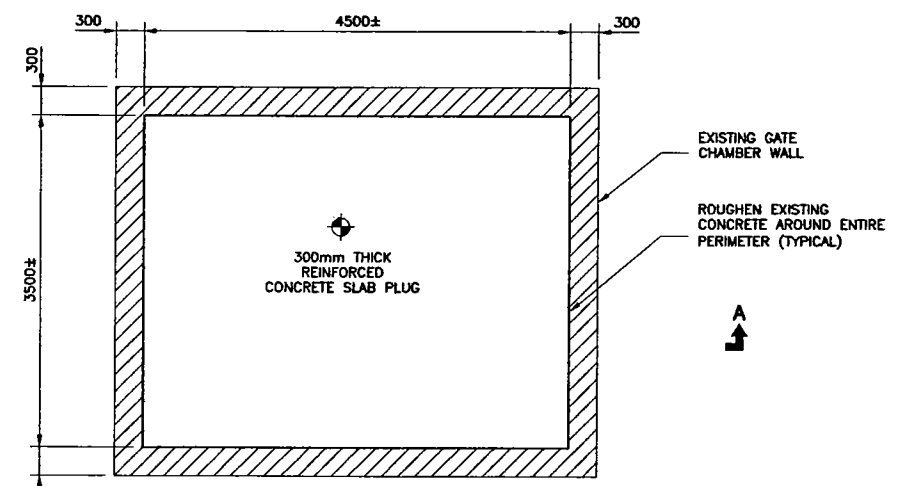


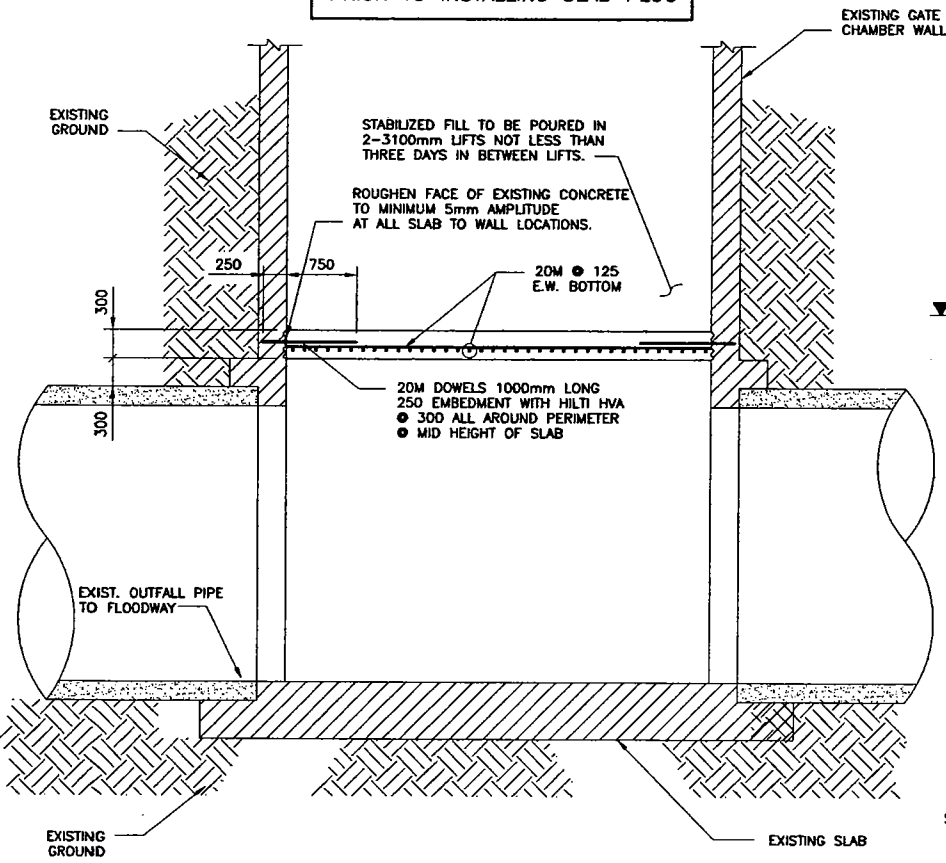


NOTE:  
SEE CIVIL DWG 48aC-002c  
FOR LOCATION OF EXISTING  
GATE CHAMBER

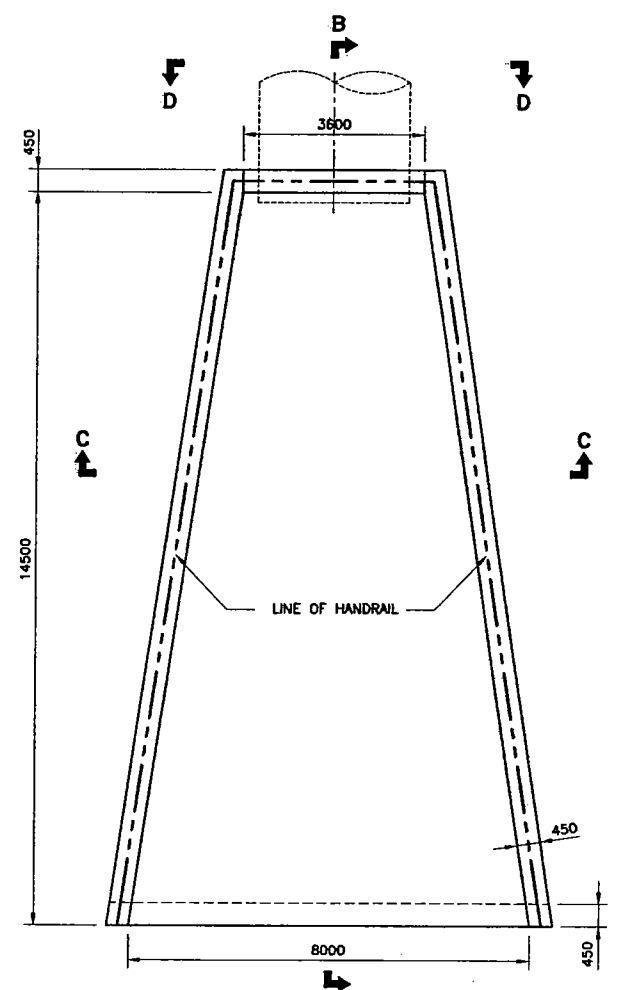


1 PLAN - SLAB PLUG  
SCALE: 1:40

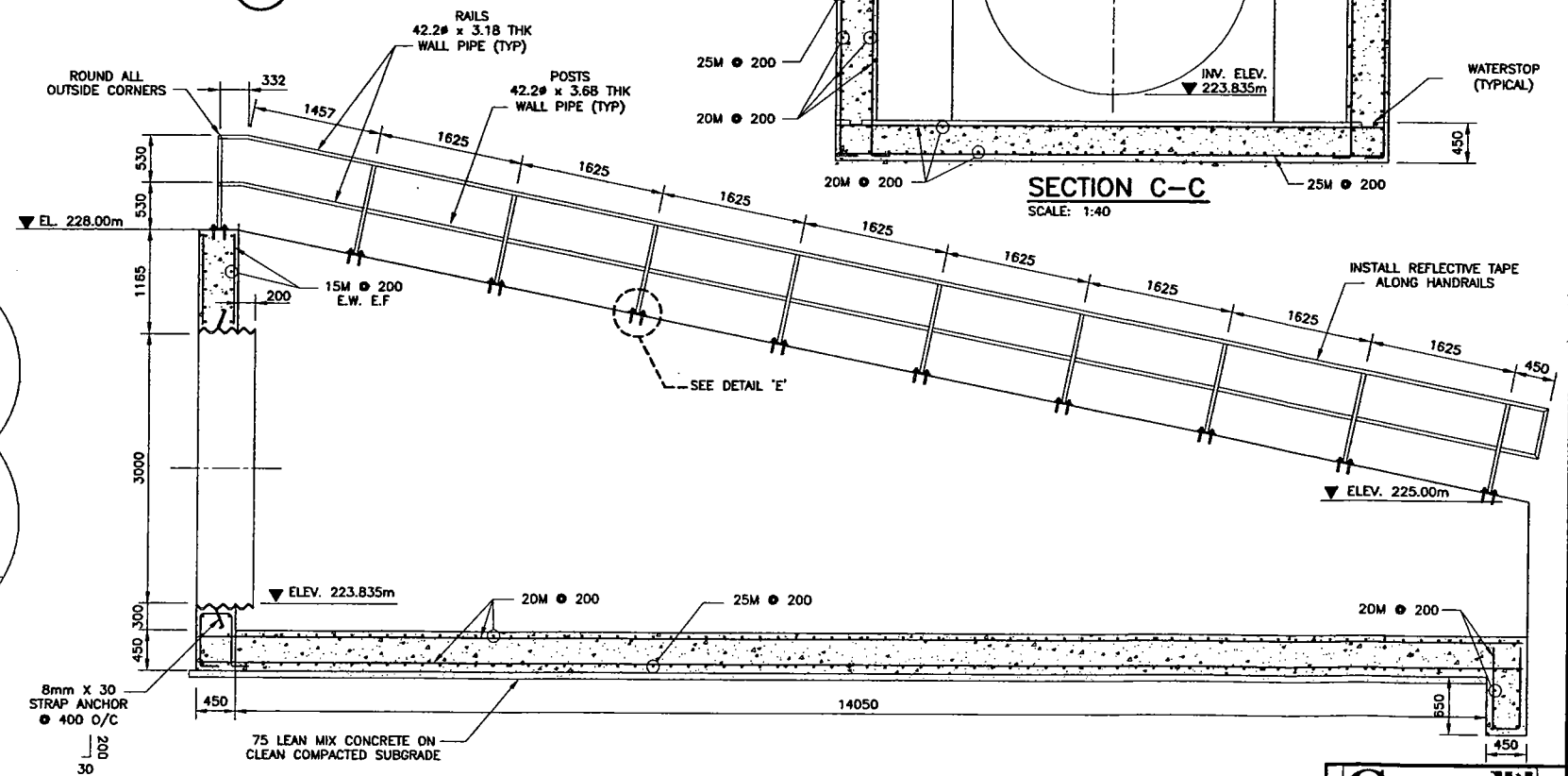
REMOVE EXISTING SLIDE GATE  
PRIOR TO INSTALLING SLAB PLUG



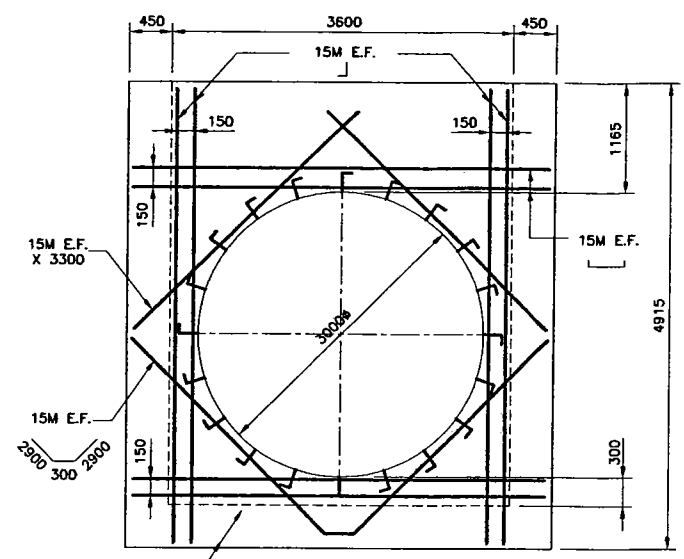
SECTION A-A  
SCALE: 1:40



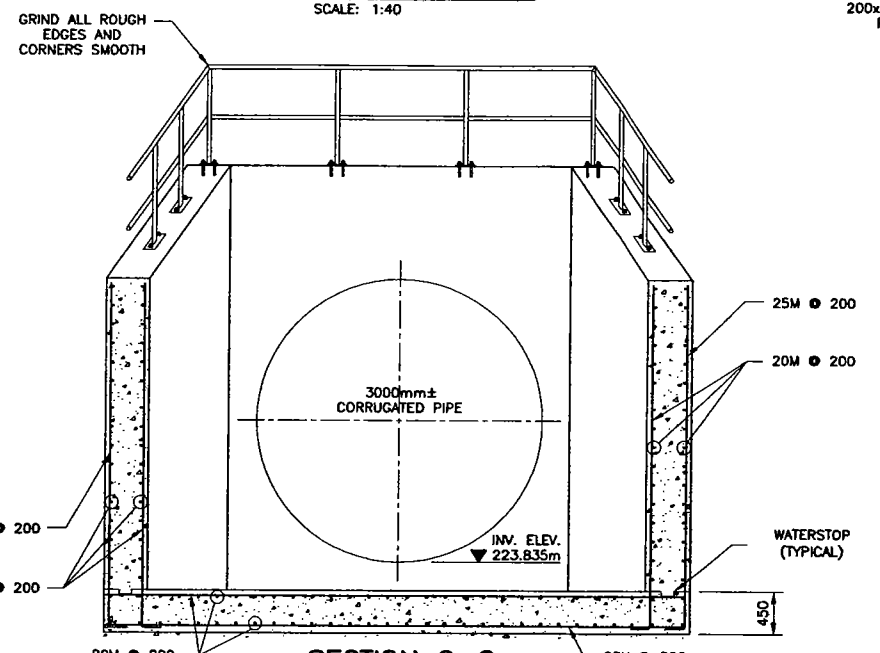
2 PLAN-OUTLET STRUCTURE  
SCALE: 1:75



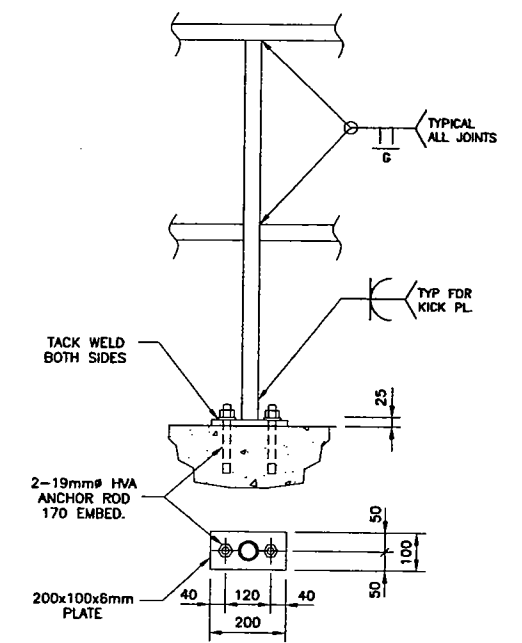
SECTION B-B  
SCALE: 1:40



SECTION D-D  
OPENING REINF.  
SCALE: 1:40

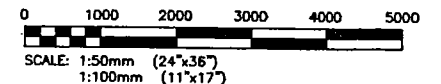


SECTION C-C  
SCALE: 1:40



DETAIL E  
SCALE: 1:40

1. REFER TO DRAWING 48aS-001c FOR GENERAL NOTES.



DO	04/07/06	ISSUED FOR TENDER AND CONSTRUCTION	TF	CMS	JBS
NO.	DATE	REVISIONS	BY	CHKD.	APP.

**KGS GROUP**

SUBCONSULTANT DWG NO.:

C of A

ENG. STAMP  
C.M. SIEPMAN  
Member  
20813

DESIGNED BY:	TF	DRAWN BY:	EC	SCALE:	AS NOTED
CHECKED BY:	CMS	APPROVED BY:	J B SMITH	DATE:	MAY 2006

KGS GROUP SUBMITTED BY: RICK CARSON

**MANITOBA FLOODWAY AUTHORITY**

PROJECT: RED RIVER FLOODWAY EXPANSION

PHASE: MAIN CHANNEL CONTRACT No. C5

TITLE: KILDARE LAND DRAINAGE FLOOD PUMPING STATION  
STRUCTURAL WORKS  
CONCRETE AND REINFORCING  
OUTLET STRUCTURE AND SLAB PLUG

RELEASED FOR CONSTRUCTION:	DOUG McNEIL VICE PRESIDENT OF ENGINEERING AND CONSTRUCTION
OWNER DWG NO.:	CC5-48aS-006c
SHT.	01
REV.	00



24"x36" (609x914) P:\Projects\2005\05-0107-17\Civil\Drawings\REV\15151515.DWG - 05-0107-17\Civil\Drawings\REV\15151515.DWG - Tab: 6c - Apr 05, 2007 - 3:58pm - User: Name Ignitzinger