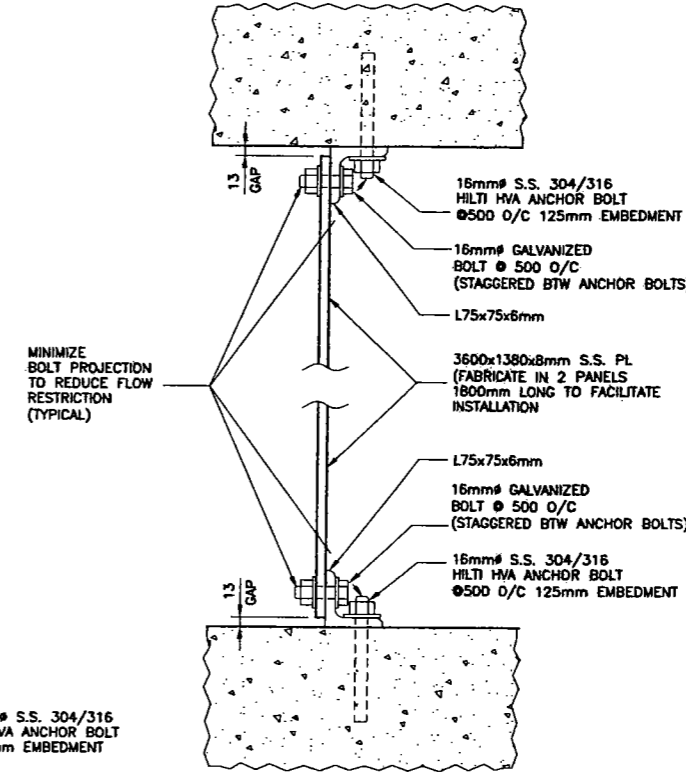
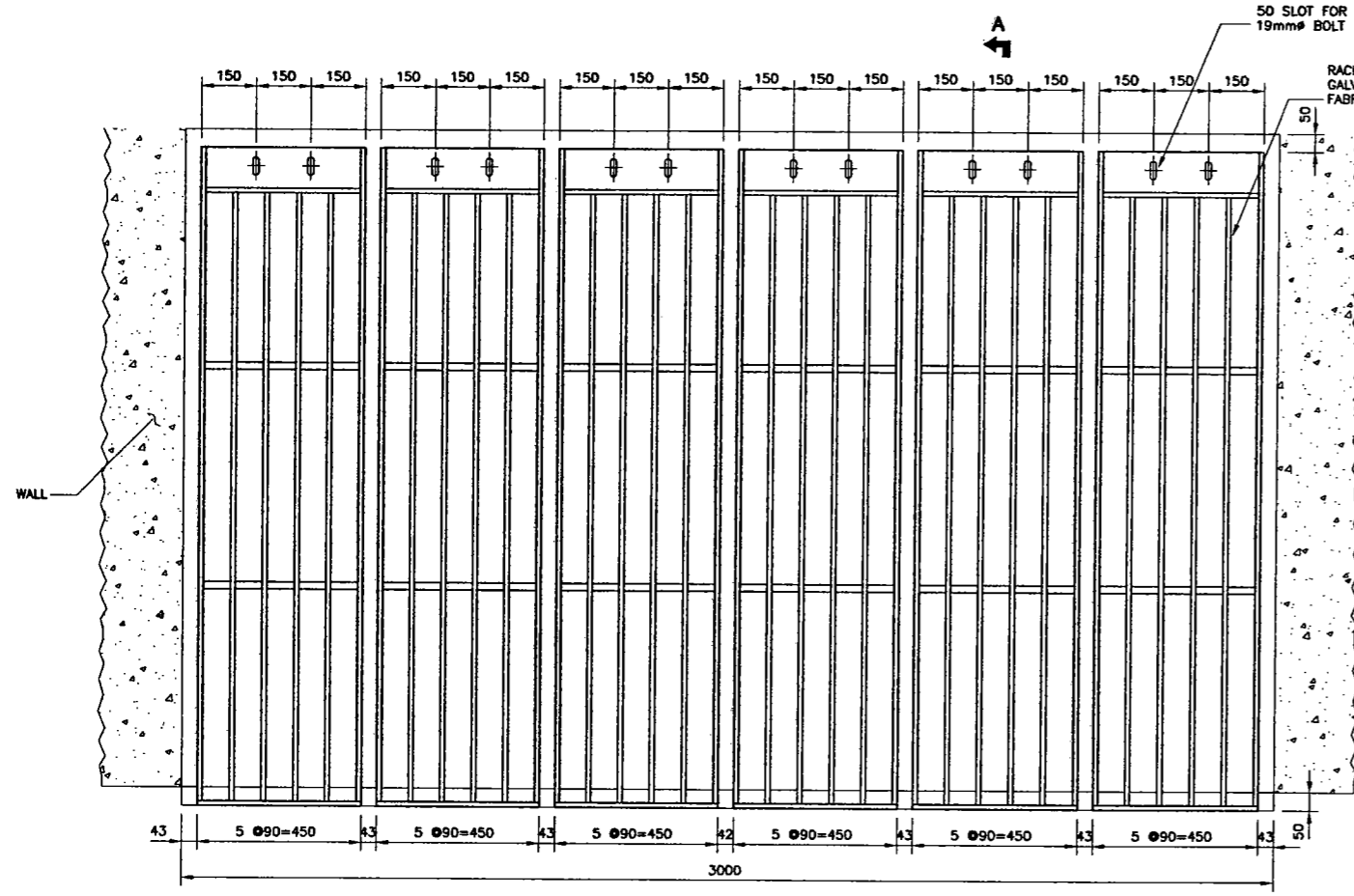


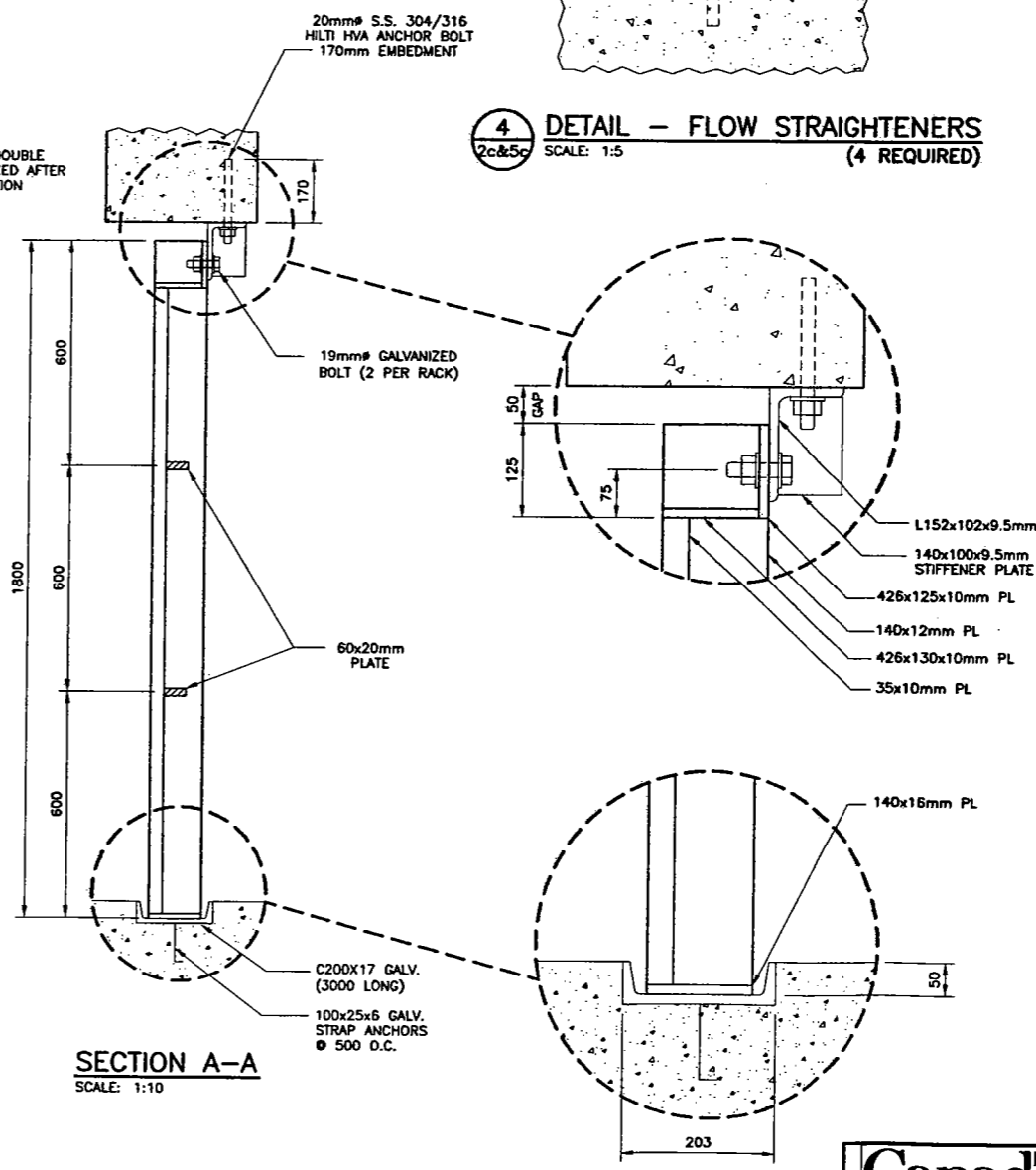
2 DETAIL - TRASH RACK CONNECTION
 SCALE: 1:10



4 DETAIL - FLOW STRAIGHTENERS
 SCALE: 1:5

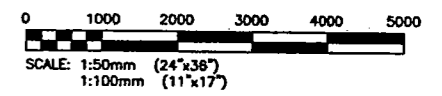


3 DETAIL - TRASH RACK
 SCALE: 1:10



SECTION A-A
 SCALE: 1:10

1. REFER TO DRAWING 48aS-001c FOR GENERAL NOTES.



00	04/07/06	ISSUED FOR TENDER AND CONSTRUCTION	TF	CMS	JBS
NO.	DATE	REVISIONS	BY	CHKD.	APP.

KGS GROUP

SUBCONSULTANT DWG NO.:

DESIGNED BY:	TF	DRAWN BY:	EC	SCALE:	AS NOTED
CHECKED BY:	CMS	APPROVED BY:	J B SMITH	DATE:	MAY 2006
KGS GROUP SUBMITTED BY:		RICK CARSON			

MANITOBA FLOODWAY AUTHORITY

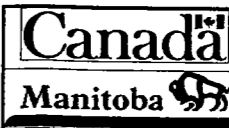
PROJECT: RED RIVER FLOODWAY EXPANSION

PHASE: MAIN CHANNEL CONTRACT No. C5

TITLE: KILDARE LAND DRAINAGE FLOOD PUMPING STATION
 STRUCTURAL WORKS
 TRASH RACKS & FLOW STRAIGHTENERS
 SECTION AND DETAILS

RELEASED FOR CONSTRUCTION:

DOUG McNEIL	VICE PRESIDENT OF ENGINEERING AND CONSTRUCTION
OWNER Dwg. No.:	CC5-48aS-013c
SHT.	01
REV.	00



24"x36" / [609x914]
 SA: Projects\2005\05-0107-17\Civil\Drawings\REVISED\00\CC5-48aS-013c-01-00.dwg - Tab: 13c - Apr. 05, 2007 - 3:59pm - User: Name: jgnitzinger