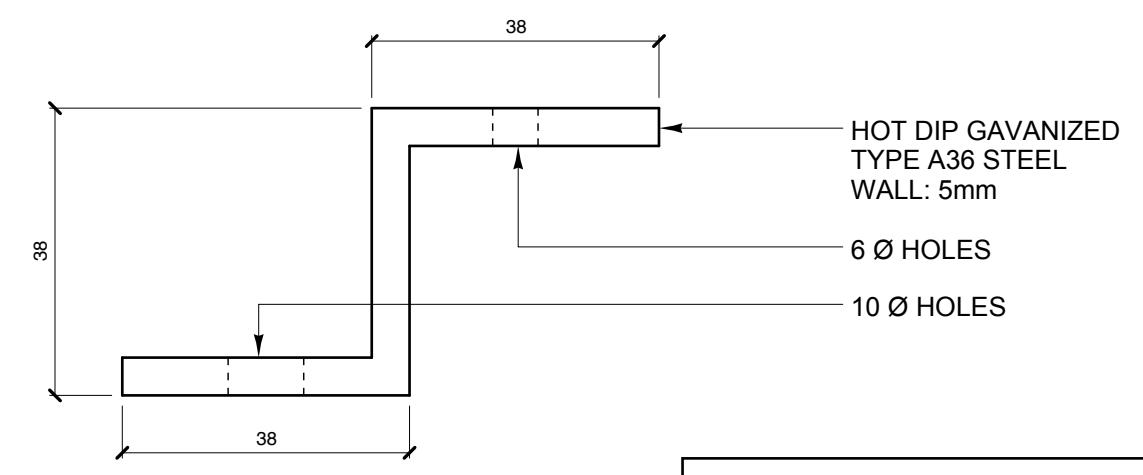
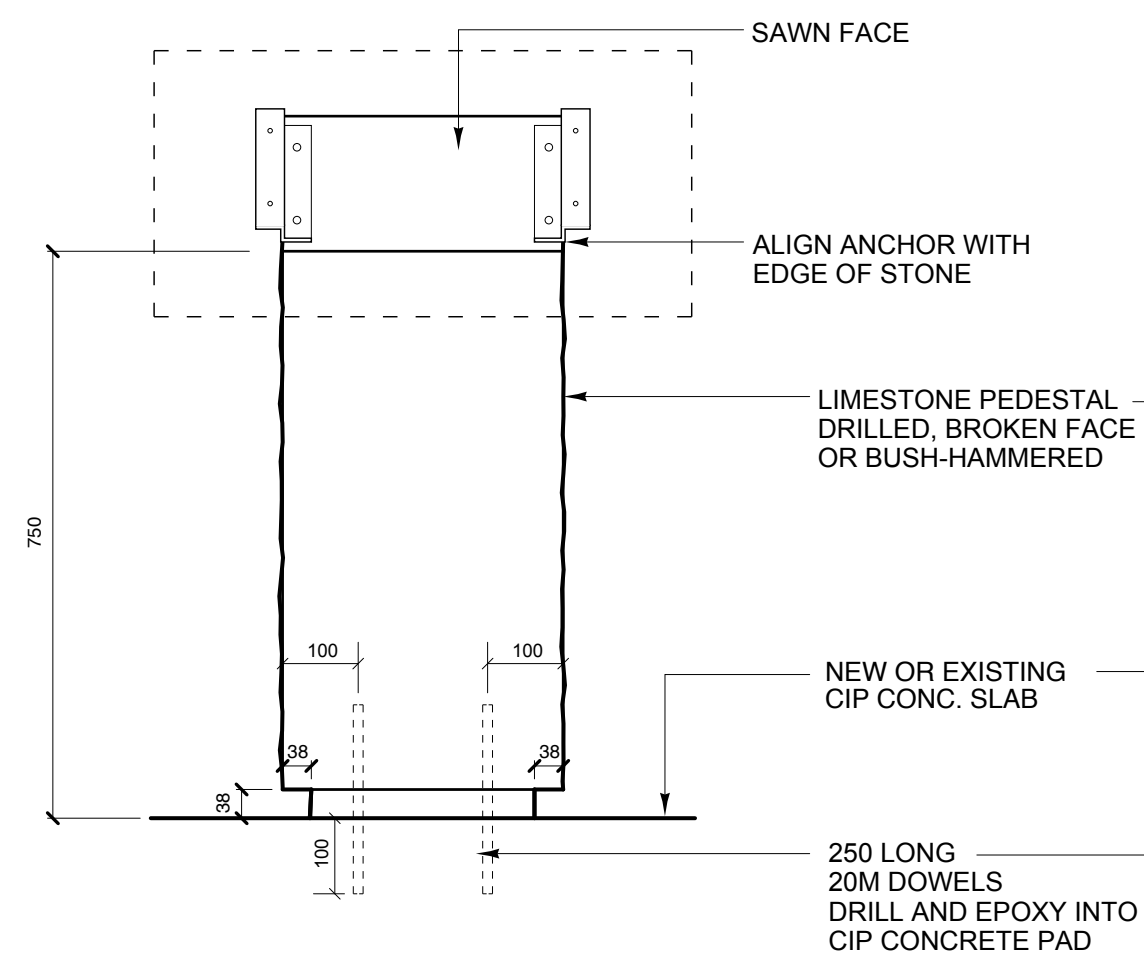


1 PLAN
SB-2 SCALE: 1:10

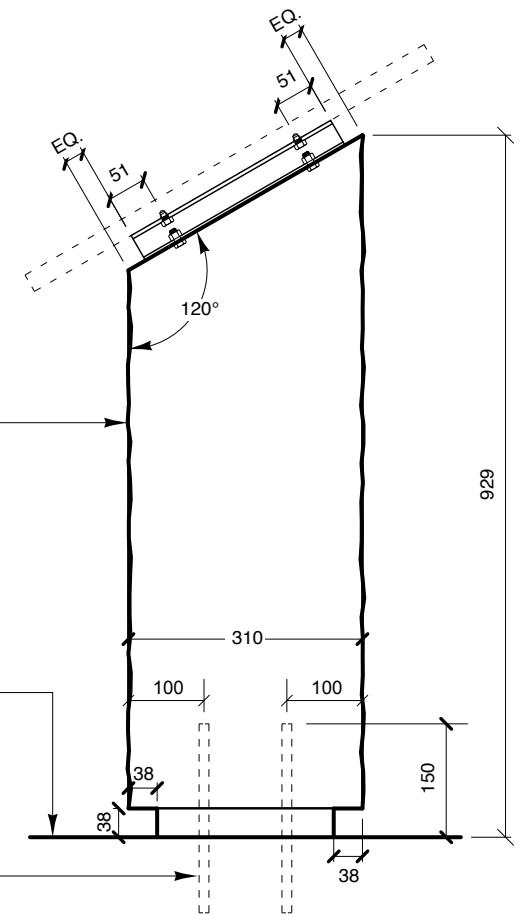


4 TYP. Z BRACKET
SB-2 SCALE: 1:1

NOTE:
ANCHOR CHANNELS AND BRACKETS TO STONE WITH APPROVED TAMPER-RESISTANT, 9Ø HOT DIP GALVANIZED STEEL FASTENERS



2 FRONT ELEVATION
SB-2 SCALE: 1:10



3 SIDE ELEVATION
SB-2 SCALE: 1:10

SCOTIA ST.
INTERPRETIVE SIGN
INSTALLATION
Project Title

SMALL SIGN PEDESTAL
Drawing Title

**HILDERMAN
THOMAS
FRANK
CRAM**

Landscape Architecture • Planning
500-115 Bannatyne Avenue East, Winnipeg, Manitoba R3B 0R3
Telephone 204-944-9907 Facsimile 204-957-1467

Drawn	SA / AK	Approved	RGM
Scale	AS NOTED	Date	AUGUST 28/07
Job	07 061	Drawing	SB-2