

B SIZE - 279mm x 432mm

LAST SAVE: 2008/01/09 - 10:48am  
 PATH: M:\113063\4ENG\48&C\DD - General DWG\1-0620C-A0001-001-PA.dwg

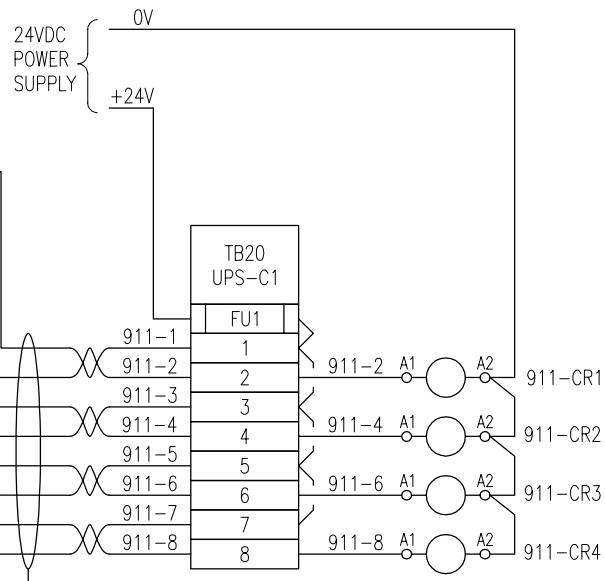
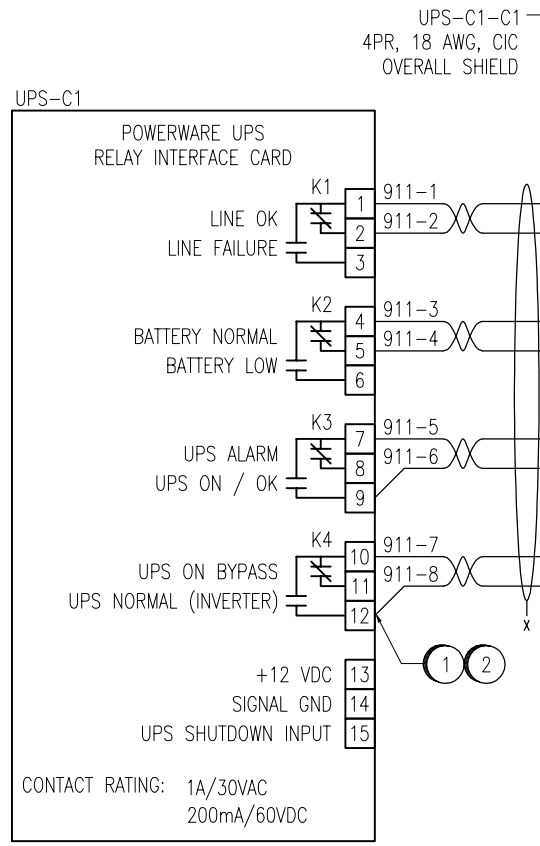
# INSTRUMENT LOOP DIAGRAM

LOOP NO. DC-EM-911 DC-QF-911  
 DC-JAL-911 DC-YZ-911

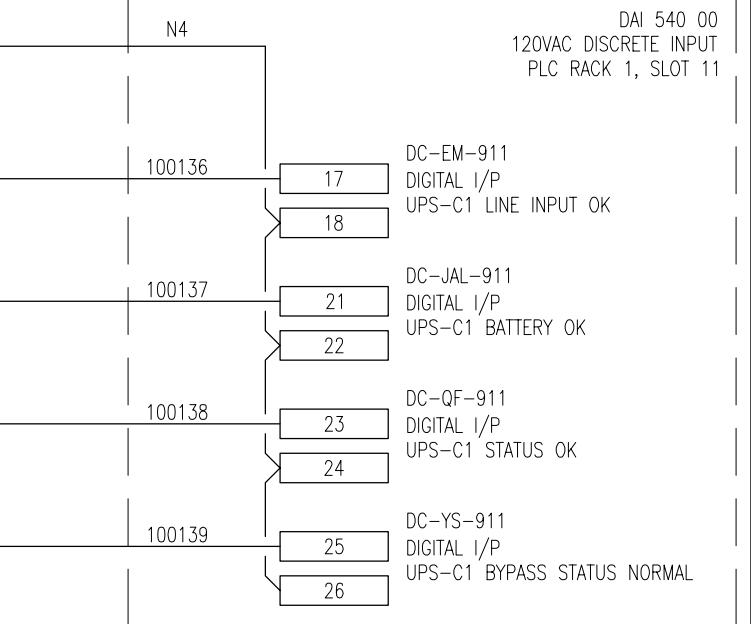
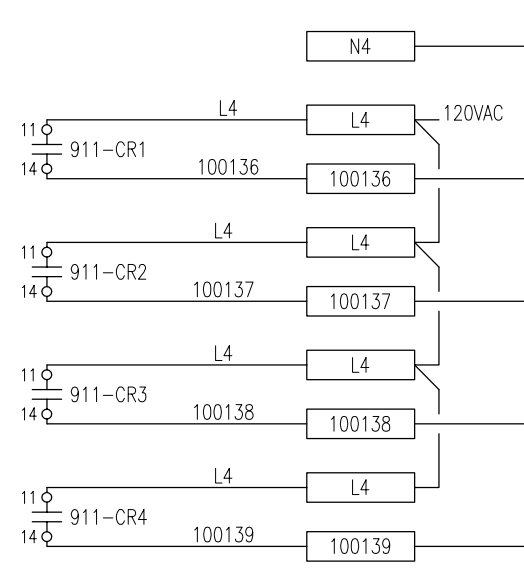
FIELD

MAIN CONTROL PANEL

PLC



FUSE	SIZE (A)
FU1	0.5



UPS-C1 SETTINGS	VALUE	UNITS
BATTERY LOW LEVEL ALARM	1.950	V/CELL

GENERAL NOTES:  
 1. RELAY CONTACTS ARE SHOWN IN THE NORMAL OPERATING STATE.  
 2. PROVIDE WIRE LABELS FOR ALL WIRING.

NO.	CONSTRUCTION NOTES
1	INSTALL NEW UPS-C1 ALARM CABLE IN EMT CONDUIT, WITH A LIQUID TIGHT FLEXIBLE METAL CONDUIT CONNECTION AT THE REAR OF THE UPS. TERMINATE CABLE AT THE UPS RELAY INTERFACE CARD. BRING CABLE INTO PLC PANEL AND LABEL CABLES AND CONDUCTORS AT BOTH ENDS. TERMINATE CONDUCTORS ONTO TERMINALS AFTER CONFIRMING THAT FUSE FU1 IS REMOVED. SUPPLY AND INSTALLATION OF TERMINALS AND RELAYS IS BY CITY PERSONEL.
2	TEST ALARMS FOR SCADA ANNUNCIATION WITH THE ASSISTANCE OF CITY OF WINNIPEG PERSONNEL.

**APEGM**  
 Certificate of Authorization  
**SNC-Lavalin Inc. (MB)**  
 No. 4489 Expiry: April 30, 2008

<b>SNC-LAVALIN</b>		<b>SNC-LAVALIN INC.</b> 148 Nature Park Way Winnipeg, MB, Canada R3P 0X7 204-786-8080	
DESIGNED BY:	C. REIMER	ENGINEER'S SEAL	
DRAWN BY:	A. OLIVER	<b>PRELIMINARY NOT TO BE USED FOR CONSTRUCTION</b>	
CHECKED BY:	C. REIMER		
APPROVED BY:	C. REIMER		
SCALE:	N.T.S.		
DATE:	2007/08/28		
CONSULTANT NO.:	113063		
NO.	ISSUED FOR TENDER	2008/01/09	AEO
NO.	REVISIONS	DATE	BY

**THE CITY OF WINNIPEG**  
 WATER AND WASTE DEPARTMENT

DEACON CHEMICAL FEED BUILDING  
 UPS UPGRADES  
 INSTRUMENT LOOP DIAGRAM  
 UPS-C1 ALARMS

CITY DRAWING NUMBER	SHEET	REV.	SIZE
1-0620C-A0001	001	00	B