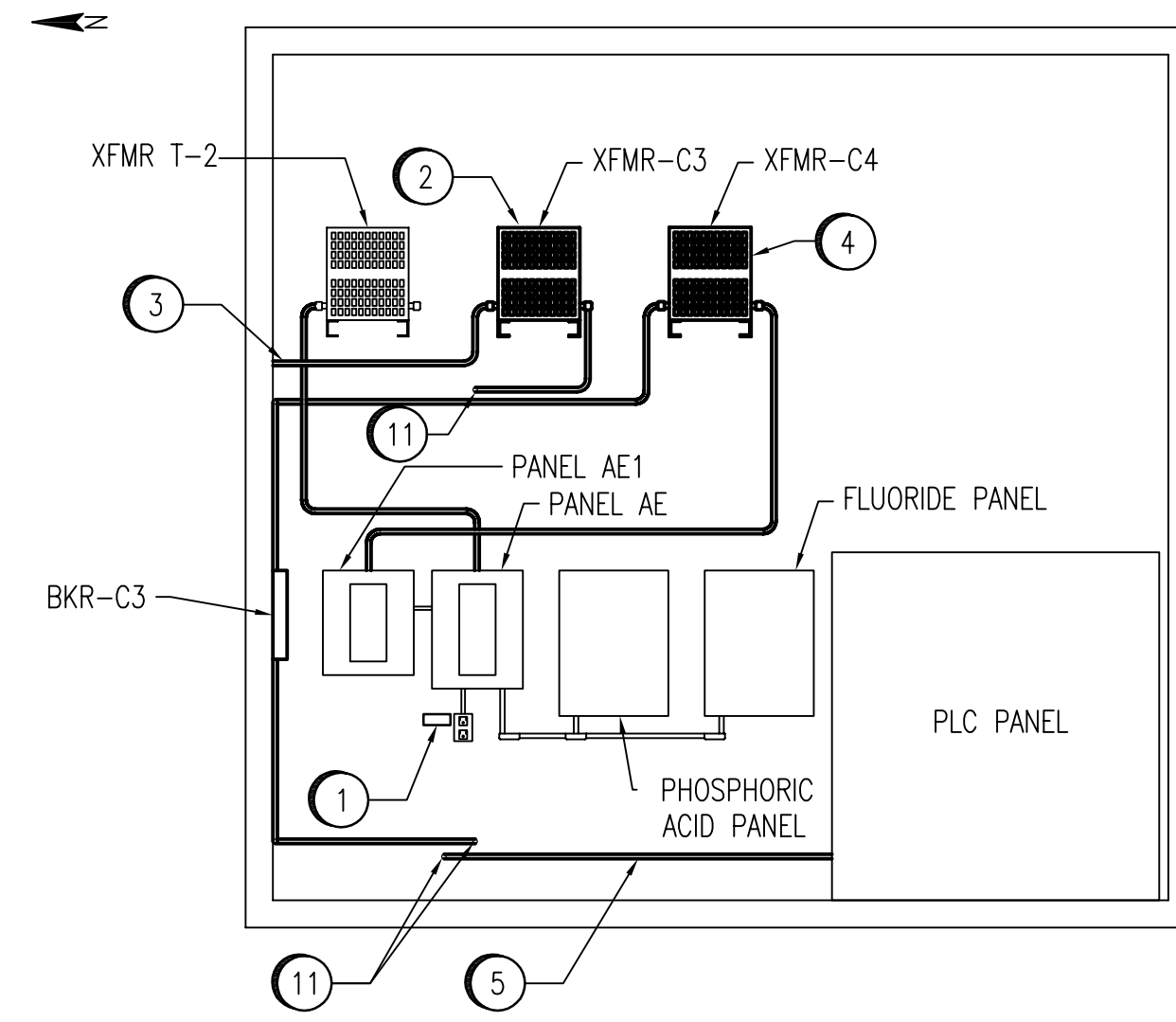
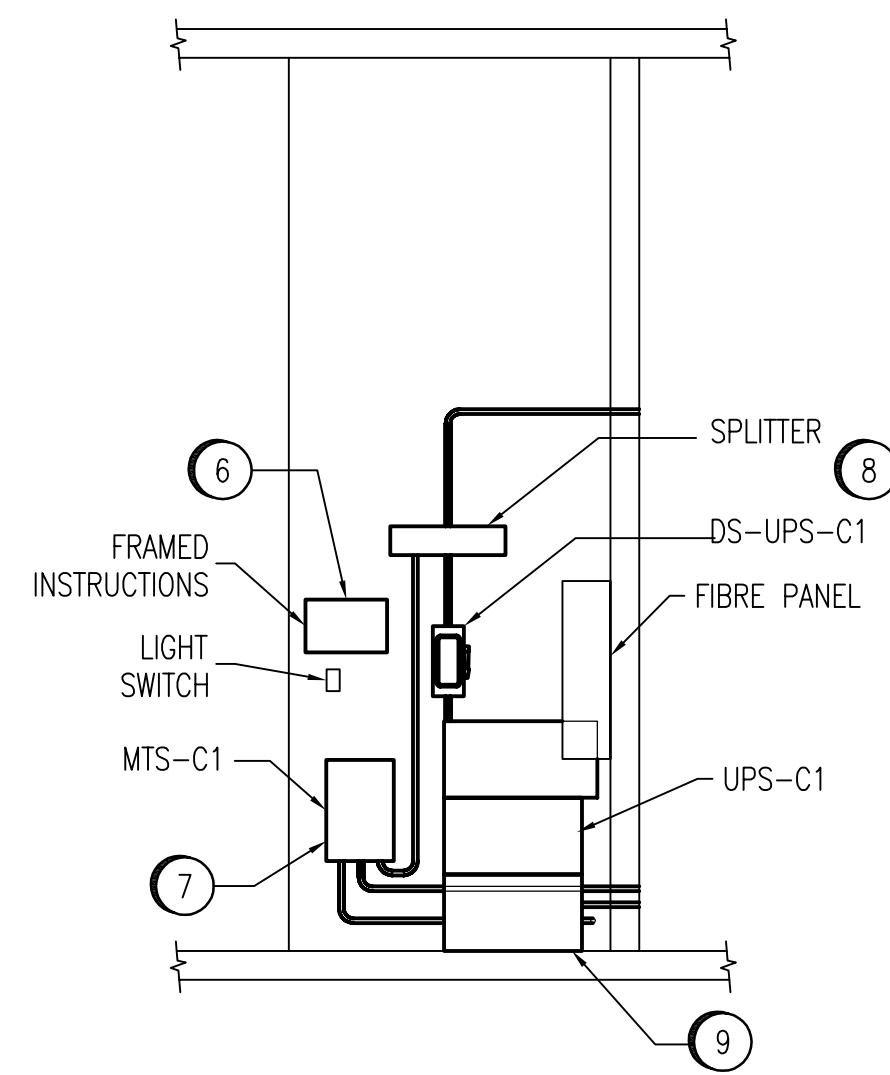


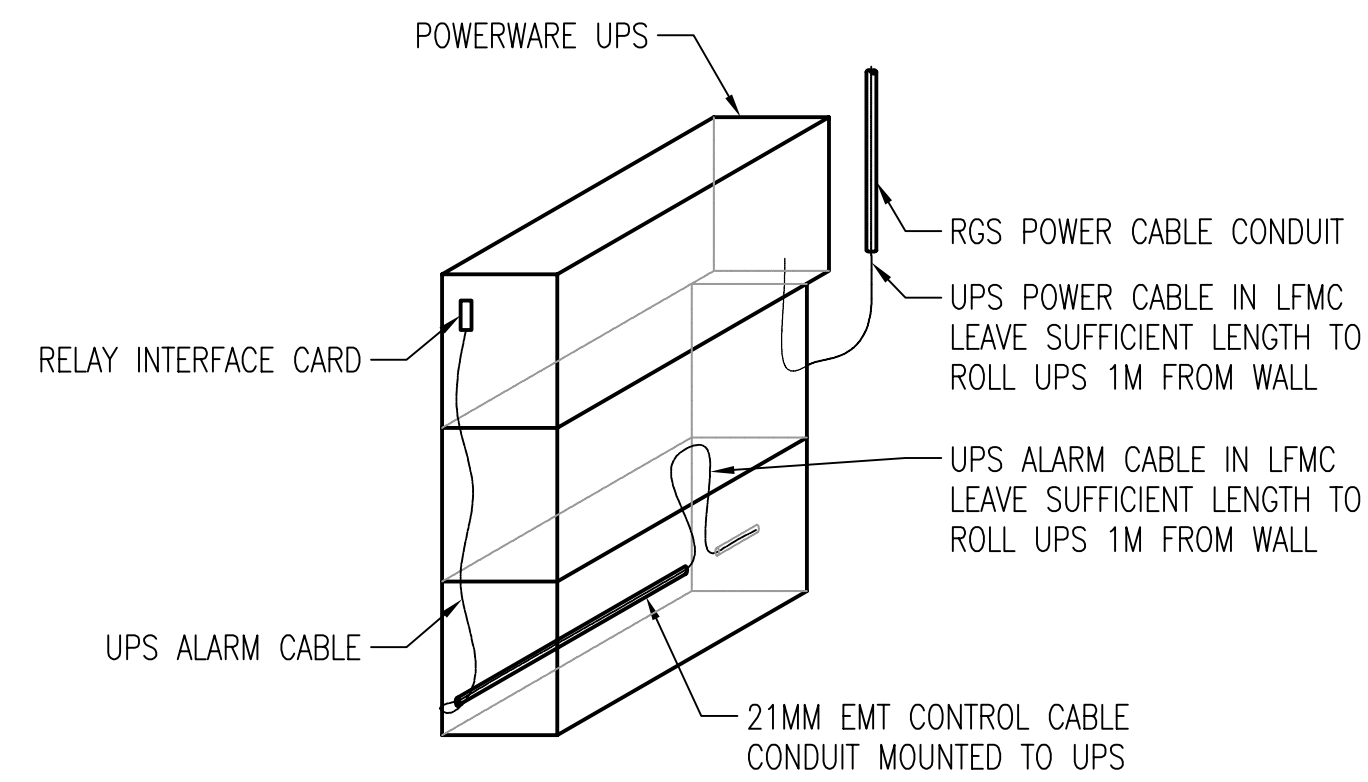
ELECTRICAL ROOM PLAN
SCALE: N.T.S.



SECTION I
SCALE: N.T.S.



SECTION J
SCALE: N.T.S.



DETAIL 1
SCALE: N.T.S.

NO.	CONSTRUCTION NOTES
1	INSTALL LAMICOID SIGN READING "ESSENTIAL POWER" ADJACENT TO RECEPTACLE. TEXT TO BE 6MM HIGH.
2	INSTALL XFMR-C3 ON THE EAST WALL ABOVE THE HEIGHT OF THE EXISTING CABLE TRAY. PROVIDE REQUIRED BRACKETS TO SECURELY SUPPORT THE TRANSFORMER. GROUND TRANSFORMER WITH 6 AWG BARE COPPER WIRE BACK TO THE MAIN FACILITY GROUND CONDUCTOR ON THE EAST WALL.
3	INSTALL TECK CABLE TO SUPPLY XFMR-C3. INDEPENDENTLY SUPPORT CABLE. KEEP CABLE OVER 1 CABLE DIAMETER FROM ALL OTHER WIRING.
4	INSTALL XFMR-C4 ON THE EAST WALL ABOVE THE HEIGHT OF THE EXISTING CABLE TRAY. GROUND TRANSFORMER WITH 6 AWG BARE COPPER WIRE BACK TO THE MAIN FACILITY GROUND CONDUCTOR ON THE WEST WALL.
5	INSTALL UPS ALARM CABLE AS PER DRAWING 1-0620C-A0001. PROTECT CABLE IN 21MM EMT CONDUIT.
6	MOUNT A COPY OF DRAWING 1-0620C-E0005 ADJACENT TO THE UPS WITH A CLEAR PLEXIGLASS COVER.
7	INSTALL WALL MOUNTED BYPASS SWITCH, MTS-C1. WIRE AS PER 1-0620C-E0004.
8	INSTALL SPLITTER AND DS-UPS-C1 AS SHOWN.
9	INSTALL AND CONFIGURE NEW POWERWARE 9155 UPS. FOLLOW MANUFACTURERS INSTRUCTIONS UNLESS NOTED OTHERWISE.
10	TEST INSTALLED UPS AS PER THE SPECIFICATIONS.
11	SEAL ALL OPENINGS IN THE WALL WITH AN APPROVED FIRESTOP MATERIAL.
12	INSTALL BREAKER BKR-C3 AS SHOWN.

DRAWING NUMBER	REFERENCE DRAWINGS
----------------	--------------------



B.M. ELEV.	FIELD BOOK #:	 SNC-LAVALIN INC. 148 Nature Park Way Winnipeg, MB, Canada R3P 0X7 204-786-8080	ENGINEER'S SEAL
POSTED TO LBIS			PRELIMINARY NOT TO BE USED FOR CONSTRUCTION
DESIGNED BY C. REIMER	CHECKED BY C. REIMER	HOR. SCALE NTS VERTICAL NTS	THE CITY OF WINNIPEG WATER AND WASTE DEPARTMENT DEACON CHEMICAL FEED BUILDING UPS UPGRADES FLOOR PLAN NEW INSTALLATION
DRAWN BY A. OLIVER	APPROVED BY C. REIMER		
0 ISSUED FOR TENDER	2008/01/08 AEO	DATE 2007/07/05	SHEET 001 REV. 0 SIZE A1
NO. REVISIONS	DATE	BY	FILENAME: 1-0620C-E0003-001-00.dwg