

A1 SIZE - 594mm x 841mm
 LAST SAVE: 2008/01/09 - 10:25am
 PATH: M:\113063\ENR\47ELE\DD - General DWG\1-0620D-E0007-001-00.dwg

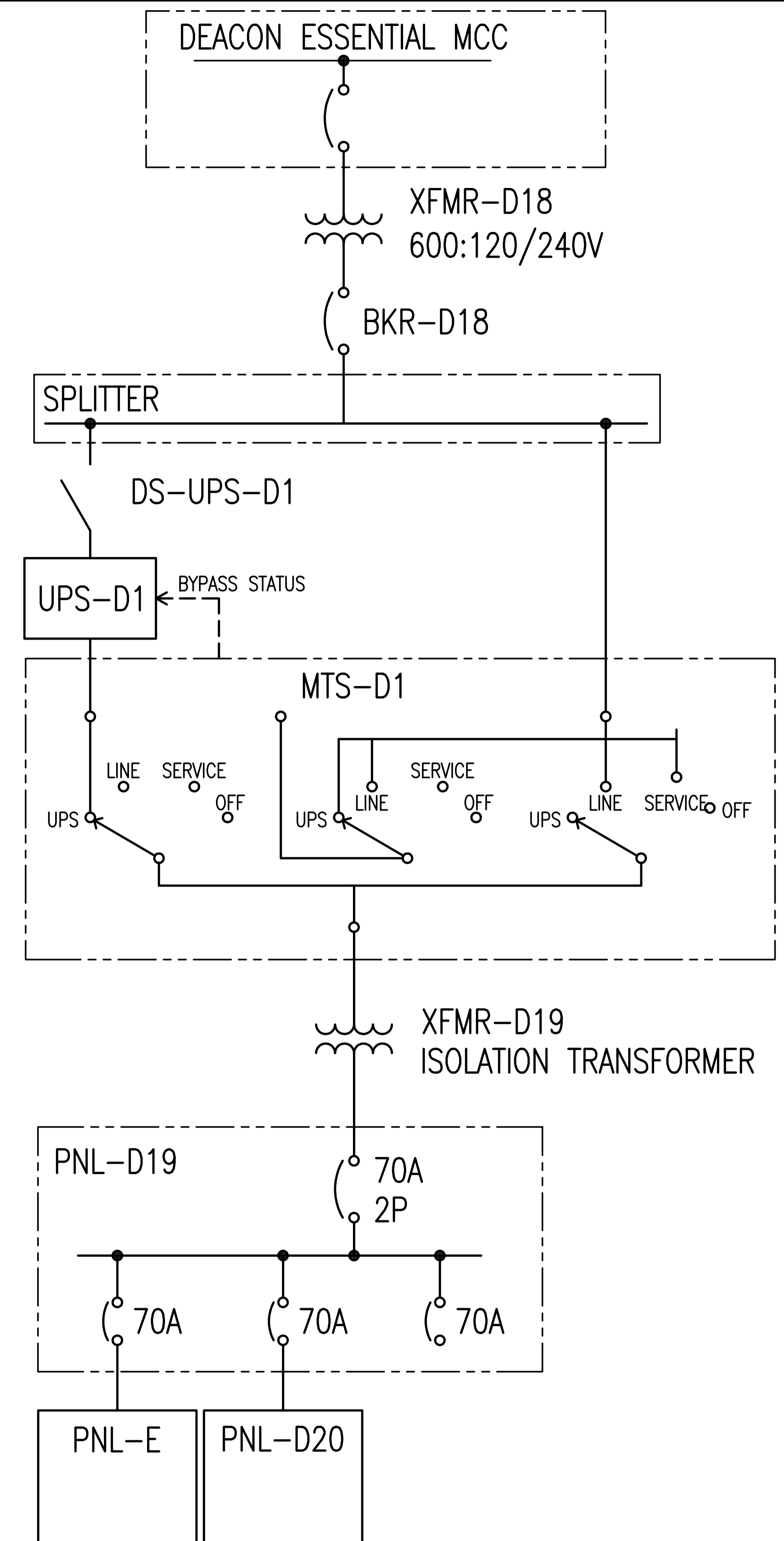
UPS-D1 INSTRUCTIONS

Startup Procedure

1. Turn MTS-D1 (Manual Transfer Switch) to the *Line* position.
2. Ensure that breaker BKR-D18 is closed and supplying power.
3. Close the disconnect switch, DS-UPS-D1 to supply power to the UPS.
4. Turn on the UPS battery circuit breaker, located at the rear of the UPS.
5. Wait for the indicator to illuminate on the UPS.
6. Turn MTS-D1 to the *UPS* position.
7. Verify that the indicator is off.

Shutdown Procedure

1. Turn MTS-D1 (Manual Transfer Switch) from the *UPS* position to the *Line* position.
2. Press the button on the front panel display and then press the button to select the *TURN UPS ON/OFF* menu.
3. Press the button to select the *TURN UPS OFF* option; press the button.
4. Confirm the selection. Press and hold the button for three seconds, until the UPS stops beeping.
5. Turn off the UPS battery circuit breaker, located at the rear of the UPS.
6. Turn off the disconnect switch DS-UPS-D1.



B.M. ELEV.	FIELD BOOK #:	 SNC-LAVALIN INC. 148 Nature Park Way Winnipeg, MB, Canada R3P 0X7 204-786-8000	ENGINEER'S SEAL	 THE CITY OF WINNIPEG WATER AND WASTE DEPARTMENT			
POSTED TO LBIS			PRELIMINARY NOT TO BE USED FOR CONSTRUCTION				
DESIGNED BY: C. REIMER	CHECKED BY: C. REIMER	HOR. SCALE: NTS VERTICAL: NTS	DEACON BOOSTER PUMPING STATION UPS UPGRADES OPERATING INSTRUCTIONS UPS-D1				
DRAWN BY: E. BOHNCKE	APPROVED BY: C. REIMER		RELEASED FOR CONSTRUCTION DATE: 2007/10/11	CITY DRAWING NUMBER	SHEET	REV.	SIZE
0 ISSUED FOR TENDER	2008/01/08	AEO	1-0620D-E0007		001	0	A1
NO. REVISIONS	DATE	BY	FILENAME: 1-0620D-E0007-001-00.dwg				