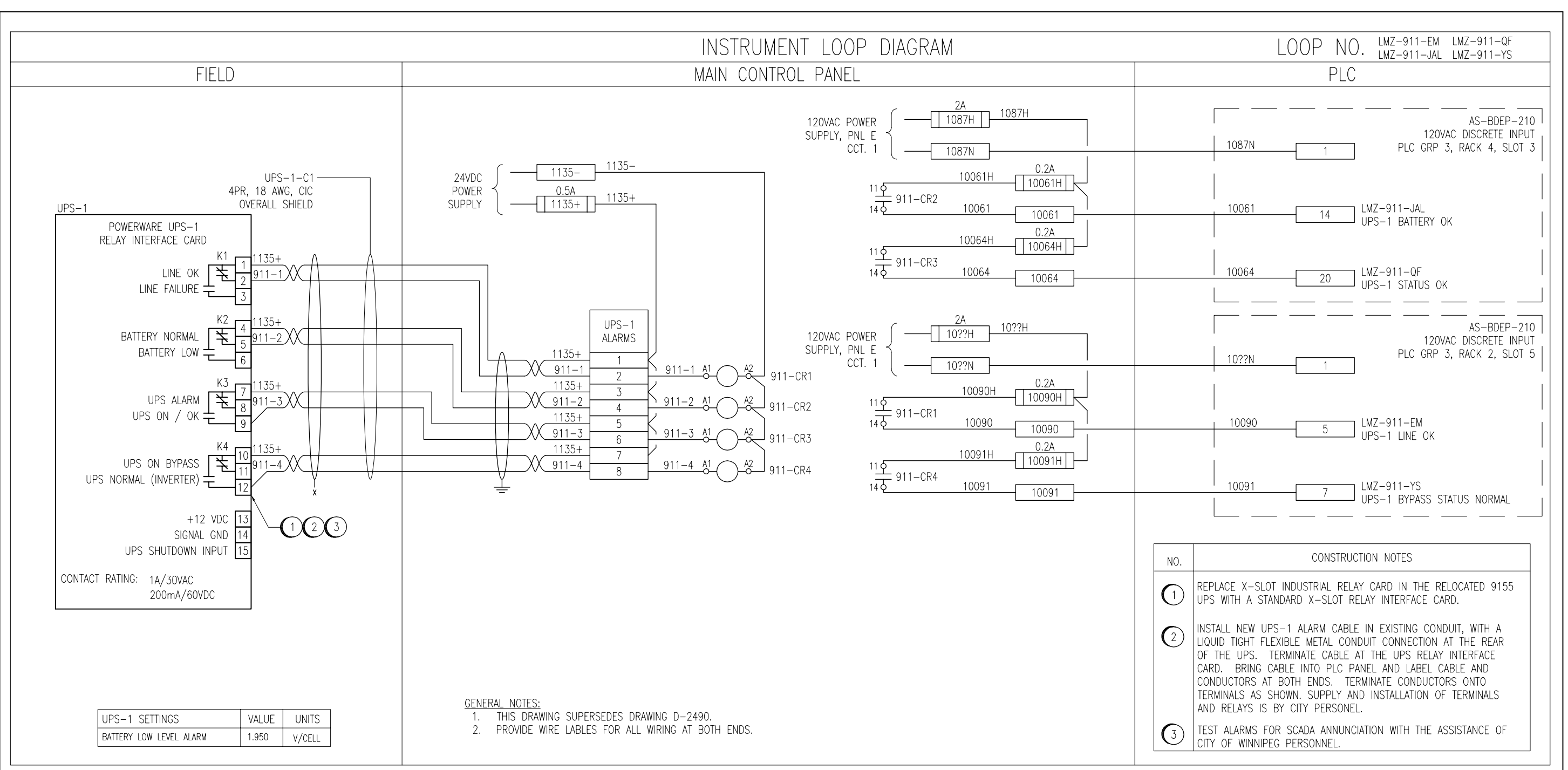


LAST SAVE: 2008/01/09 - 10:30am
 PATH: M:\113063\4ENG\48&C\DD - General DWG\1-0630M-A0027-001-PA.dwg
 B SIZE - 279mm x 432mm



UPS-1 SETTINGS	VALUE	UNITS
BATTERY LOW LEVEL ALARM	1.950	V/CELL

- GENERAL NOTES:**
- THIS DRAWING SUPERSEDES DRAWING D-2490.
 - PROVIDE WIRE LABELS FOR ALL WIRING AT BOTH ENDS.

SNC-Lavalin Inc. (MB)
 No. 4489 Expiry: April 30, 2008

SNC-LAVALIN INC.		SNC-LAVALIN	
148 Nature Park Way Winnipeg, MB, Canada R3P 0X7 204-786-8080			
DESIGNED BY:	C. REIMER	ENGINEER'S SEAL	PRELIMINARY NOT TO BE USED FOR CONSTRUCTION
DRAWN BY:	A. OLIVER		
CHECKED BY:	C. REIMER		
APPROVED BY:	C. REIMER		
SCALE:	N.T.S.		
DATE:	2007/08/28		
CONSULTANT NO.:	113063		
NO.	ISSUED FOR TENDER	2008/01/09	AEO
NO.	REVISIONS	DATE	BY

THE CITY OF WINNIPEG
 WATER AND WASTE DEPARTMENT

MACLEAN PUMPING STATION
 UPS UPGRADES
 INSTRUMENT LOOP DIAGRAM
 UPS-1 ALARMS

CITY DRAWING NUMBER	SHEET	REV.	SIZE
1-0630M-A0027	001	0	B