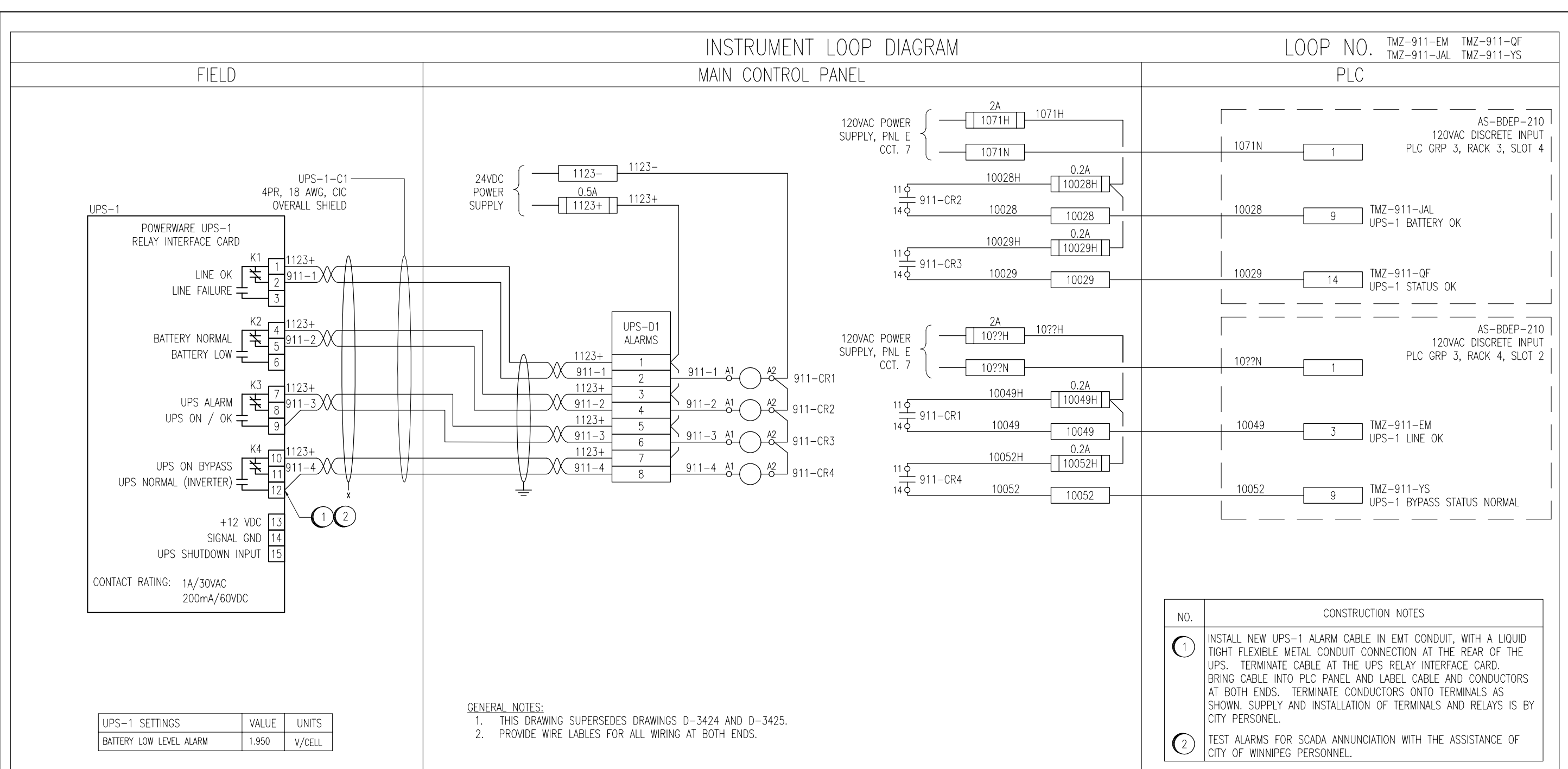


LAST SAVE: 2008/01/09 - 10:57am
 PATH: M:\113063\4ENG\481&C\DD - General DWG\1-0660M-A0001-001-PA.dwg
 B SIZE - 279mm x 432mm



UPS-1 SETTINGS	VALUE	UNITS
BATTERY LOW LEVEL ALARM	1.950	V/CELL

- GENERAL NOTES:**
- THIS DRAWING SUPERSEDES DRAWINGS D-3424 AND D-3425.
 - PROVIDE WIRE LABELS FOR ALL WIRING AT BOTH ENDS.

NO.	CONSTRUCTION NOTES
1	INSTALL NEW UPS-1 ALARM CABLE IN EMT CONDUIT, WITH A LIQUID TIGHT FLEXIBLE METAL CONDUIT CONNECTION AT THE REAR OF THE UPS. TERMINATE CABLE AT THE UPS RELAY INTERFACE CARD. BRING CABLE INTO PLC PANEL AND LABEL CABLE AND CONDUCTORS AT BOTH ENDS. TERMINATE CONDUCTORS ONTO TERMINALS AS SHOWN. SUPPLY AND INSTALLATION OF TERMINALS AND RELAYS IS BY CITY PERSONNEL.
2	TEST ALARMS FOR SCADA ANNUNCIATION WITH THE ASSISTANCE OF CITY OF WINNIPEG PERSONNEL.

SNC-Lavalin Inc. (MB)
No. 4489 Expiry: April 30, 2008

SNC-LAVALIN INC.		SNC-LAVALIN INC.	
148 Nature Park Way Winnipeg, MB, Canada R3P 0X7 204-786-8080		DESIGNED BY: C. REIMER	ENGINEER'S SEAL
		DRAWN BY: A. OLIVER	PRELIMINARY NOT TO BE USED FOR CONSTRUCTION
		CHECKED BY: C. REIMER	
		APPROVED BY: C. REIMER	
		SCALE: N.T.S.	
		DATE: 2007/08/28	
		CONSULTANT NO.: 113063	
00	ISSUED FOR TENDER	2008/01/09	AEO
NO.	REVISIONS	DATE	BY

THE CITY OF WINNIPEG
WATER AND WASTE DEPARTMENT

TACHE BOOSTER PUMPING STATION
SUPERVISORY CONTROL AND DATA ACQUISITION
INSTRUMENT LOOP DIAGRAM
UPS-1 ALARMS

CITY DRAWING NUMBER	SHEET	REV.	SIZE
1-0660M-A0001	001	00	B