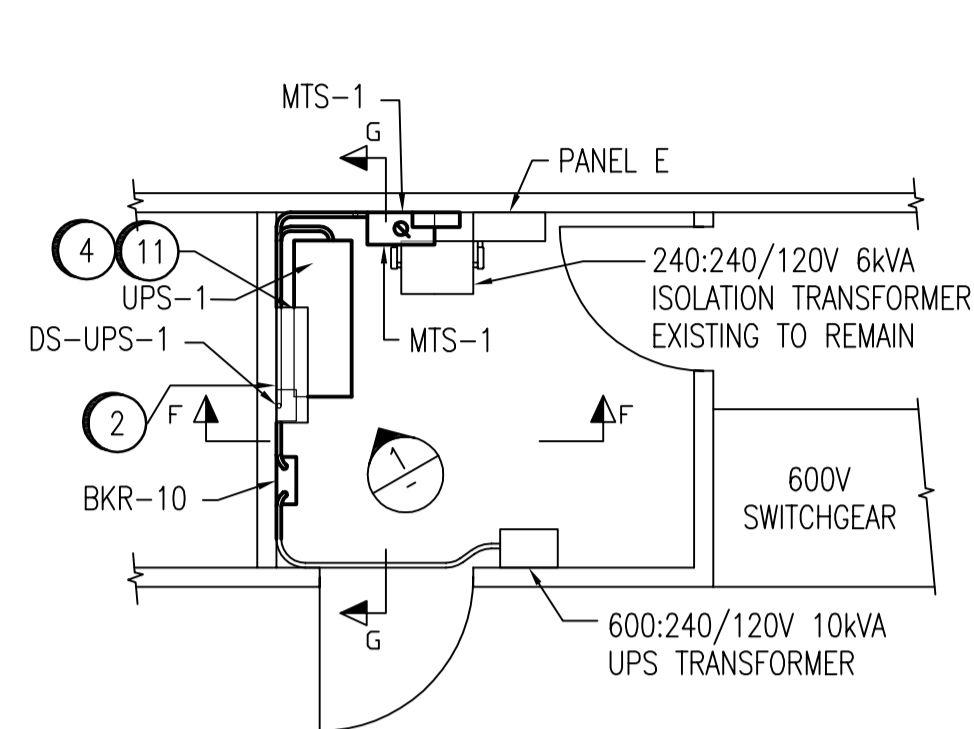
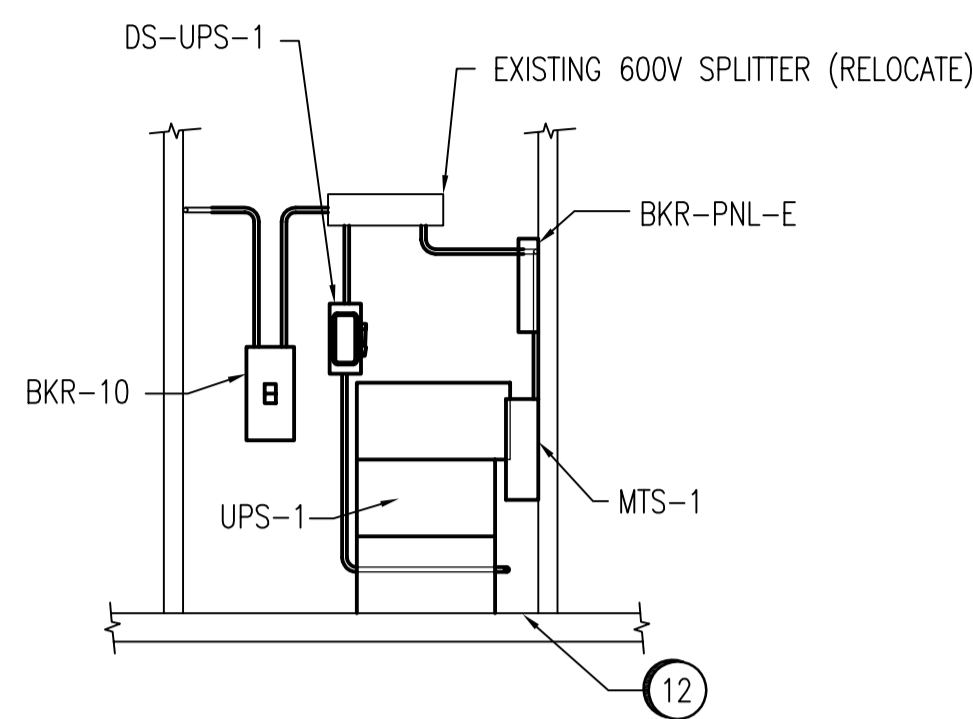


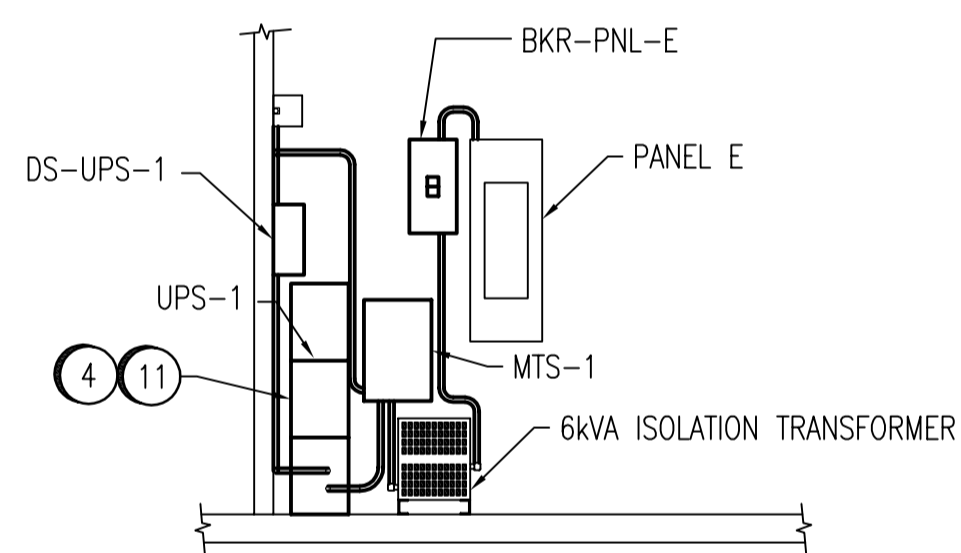
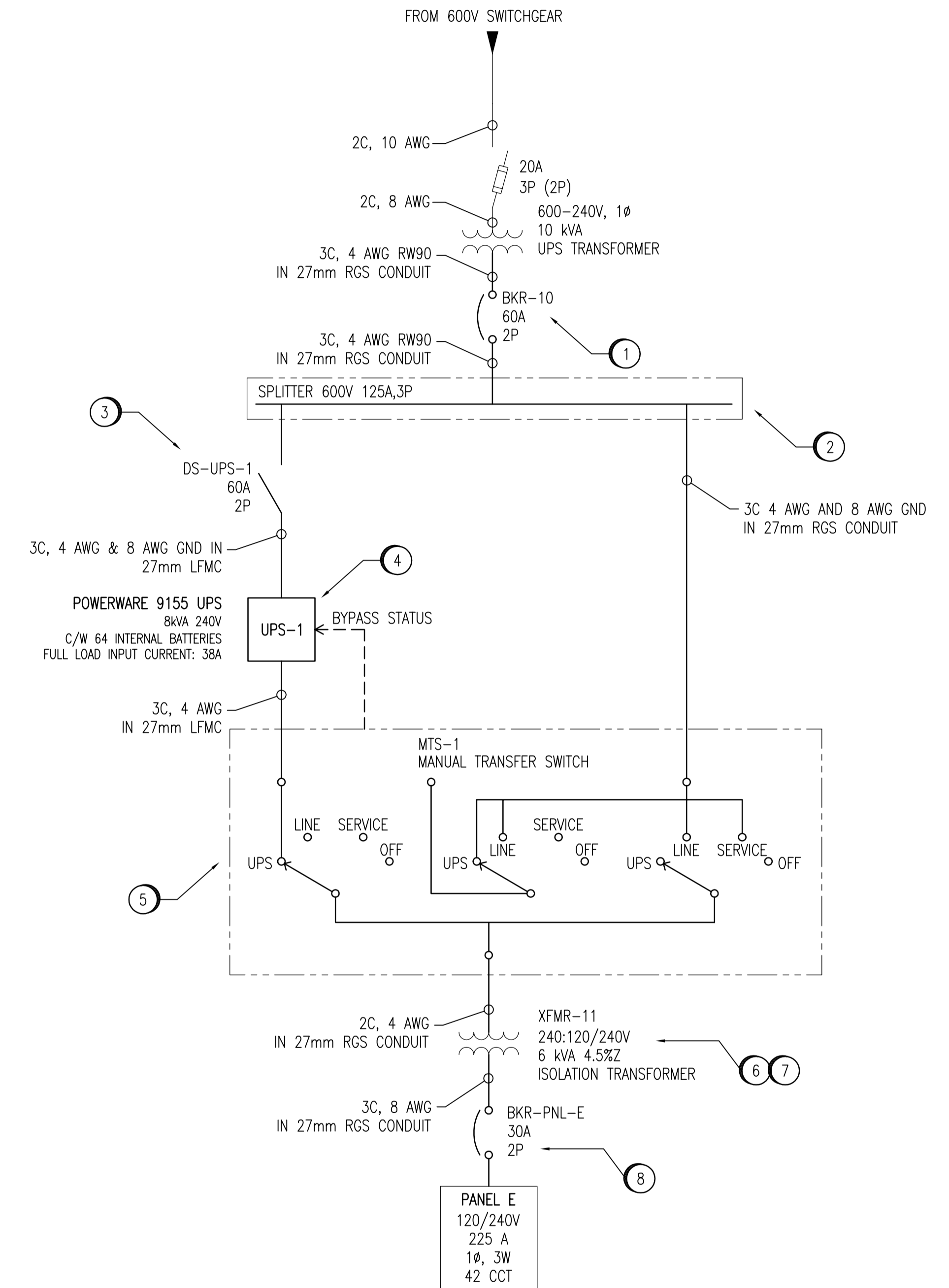
LEGEND	
LFMC	LIQUID TIGHT FLEXIBLE METAL CONDUIT
RGS	RIGID GALVANIZED STEEL CONDUIT



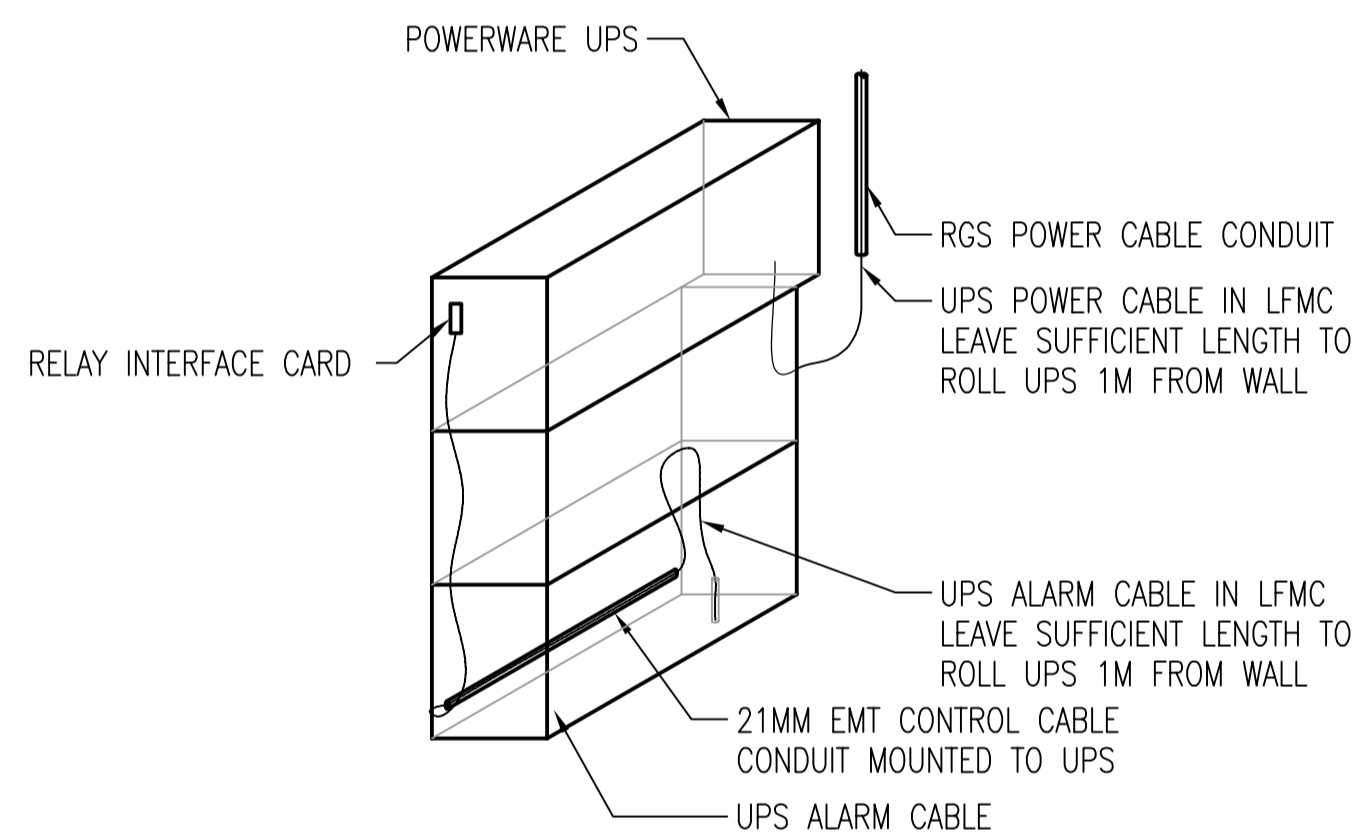
UPS ROOM PLAN
SCALE: N.T.S.



SECTION G
SCALE: N.T.S.



SECTION F
SCALE: N.T.S.



DETAIL 1
SCALE: N.T.S.

NO.	CONSTRUCTION NOTES
1	INSTALL NEW MOLDED CASE BREAKER, BKR-10, TO FEED EXISTING SPLITTER.
2	RELOCATE EXISTING SPLITTER AS REQUIRED.
3	INSTALL NEW DISCONNECT SWITCH, DS-UPS-1, AS SHOWN.
4	REMOVE EXISTING POWERWARE PLUS 6 UPS AND ASSOCIATED BATTERY MODULE. SUPPLY, INSTALL, AND CONFIGURE NEW POWERWARE 9155 UPS. FOLLOW MANUFACTURER INSTRUCTIONS, UNLESS OTHERWISE NOTED. DO NOT INTERRUPT POWER TO PANEL E WITHOUT APPROVAL OF THE CONTRACT ADMINISTRATOR!
5	INSTALL NEW WALL MOUNTED MANUAL BYPASS SWITCH. WIRE AS PER 1-0660M-E0003.
6	GROUND EXISTING TRANSFORMER XFMR-11 TO FACILITY MAIN GROUNDING CONDUCTOR WITH 6 AWG BARE COPPER WIRE.
7	INSTALL LAMACOID LABELLED "XFMR-11" FOR THE EXISTING 6 kVA ISOLATION TRANSFORMER.
8	INSTALL NEW MOLDED CASE BREAKER, BKR-PNL-E, TO FEED THE EXISTING PANEL E.
9	MOUNT A COPY OF DRAWING 1-0660M-E0004 ADJACENT TO THE UPS, WITH A CLEAR PLEXIGLASS COVER.
10	TEST THE INSTALLATION AS PER THE SPECIFICATIONS.
11	INSTALL UPS ALARM CABLE AS PER DRAWING 1-0660M-A0001. PROTECT CABLE IN 21MM EMT CONDUIT.
12	SEAL ALL OPENINGS IN THE FLOOR WITH AN APPROVED FIRESTOP MATERIAL.



B.M. ELEV.	FIELD BOOK #:
POSTED TO LBIS	
DESIGNED BY C. REIMER	CHECKED BY C. REIMER
DRAWN BY A. OLIVER	APPROVED BY C. REIMER
HOR. SCALE NTS	RELEASED FOR CONSTRUCTION
VERTICAL NTS	DATE
00 ISSUED FOR TENDER	2008/01/08 AEO
NO. REVISIONS	DATE BY

SNC-LAVALIN INC.
148 Nature Park Way
Winnipeg, MB, Canada R3P 0X7
204-786-8000

ENGINEER'S SEAL

PRELIMINARY
NOT TO BE USED FOR CONSTRUCTION

THE CITY OF WINNIPEG
WATER AND WASTE DEPARTMENT

TACHE BOOSTER PUMPING STATION
UPS UPGRADES
SINGLE LINE DIAGRAM & LAYOUT
NEW INSTALLATION

CITY DRAWING NUMBER: 1-0660M-E0002

SHEET: 001 REV: 00 SIZE: A1

DRAWING NUMBER	REFERENCE DRAWINGS
----------------	--------------------