

A1 SIZE - 594mm x 841mm
 LAST SAVE: 2008/01/09 - 10:27am
 PATH: M:\113063\ENGR\7ELE\DD - General DWG\1-0660M-E0004-001-00.dwg

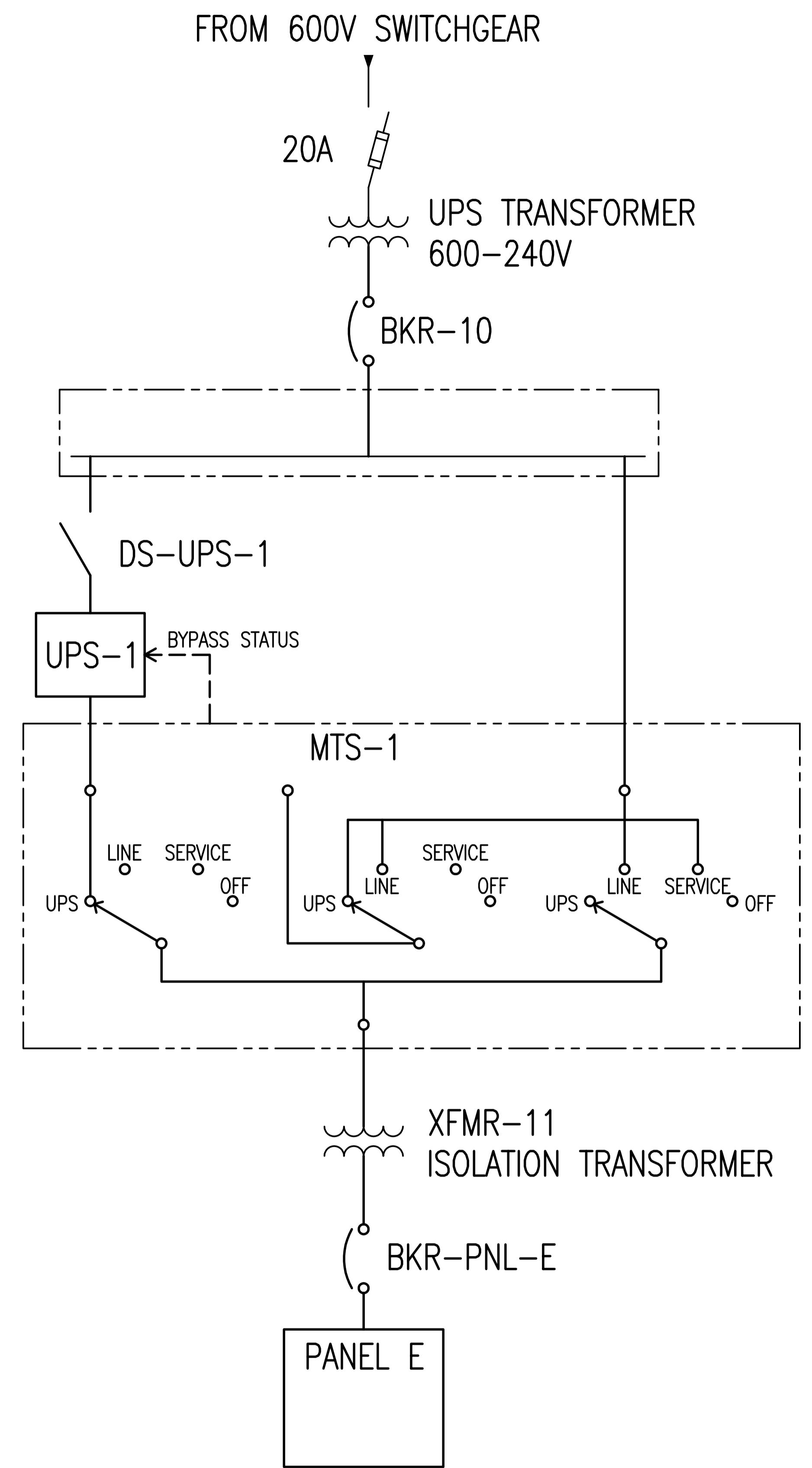
UPS-1 INSTRUCTIONS

Startup Procedure

1. Turn MTS-1 (Manual Transfer Switch) to the *Line* position.
2. Ensure that breaker BKR-10 is closed and supplying power.
3. Close the disconnect switch, DS-UPS-1 to supply power to the UPS.
4. Turn on the UPS battery circuit breaker, located at the rear of the UPS.
5. Wait for the indicator to illuminate on the UPS.
6. Turn MTS-1 to the *UPS* position.
7. Verify that the indicator is off.

Shutdown Procedure

1. Turn MTS-1 (Manual Transfer Switch) from the *UPS* position to the *Line* position.
2. Press the \uparrow button on the front panel display and then press the \rightarrow button to select the *TURN UPS ON/OFF* menu.
3. Press the \downarrow button to select the *TURN UPS OFF* option; press the \leftarrow button.
4. Confirm the selection. Press and hold the \leftarrow button for three seconds, until the UPS stops beeping.
5. Turn off the UPS battery circuit breaker, located at the rear of the UPS.
6. Turn off the disconnect switch DS-UPS-1.



B.M. ELEV.	FIELD BOOK #:	 SNC-LAVALIN INC. <small>148 Nature Park Way Winnipeg, MB, Canada R3P 0X7 204-786-8000</small>	ENGINEER'S SEAL	 THE CITY OF WINNIPEG <small>WATER AND WASTE DEPARTMENT</small>
POSTED TO LBIS			PRELIMINARY NOT TO BE USED FOR CONSTRUCTION	
DESIGNED BY: C. REIMER	CHECKED BY: C. REIMER	<small>HOR. SCALE: NTS VERTICAL: NTS</small> RELEASED FOR CONSTRUCTION	TACHE BOOSTER PUMPING STATION UPS UPGRADES OPERATING INSTRUCTIONS UPS-1	
DRAWN BY: E. BOHNCKE	APPROVED BY: C. REIMER		DATE: 2007/10/11	CITY DRAWING NUMBER: 1-0660M-E0004
0 ISSUED FOR TENDER	2008/01/08	AEO	REV. 0	SIZE A1
NO. REVISIONS	DATE	BY	FILENAME: 1-0660M-E0004-001-00.dwg	