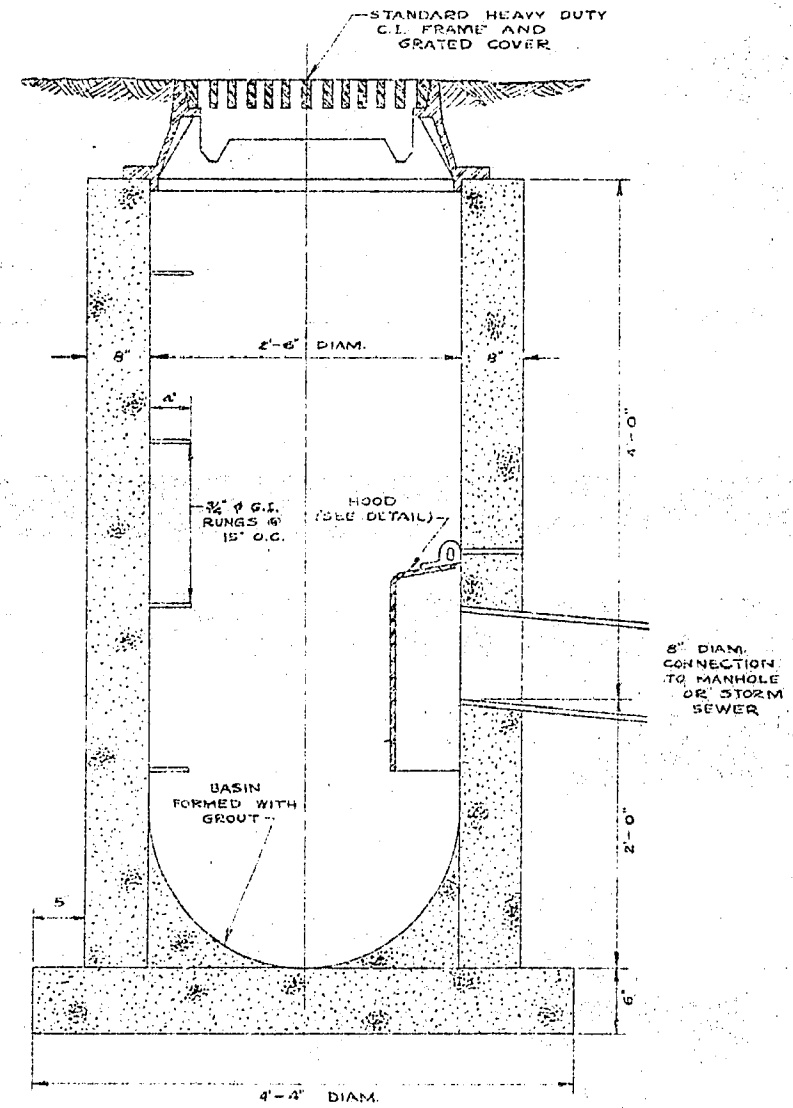
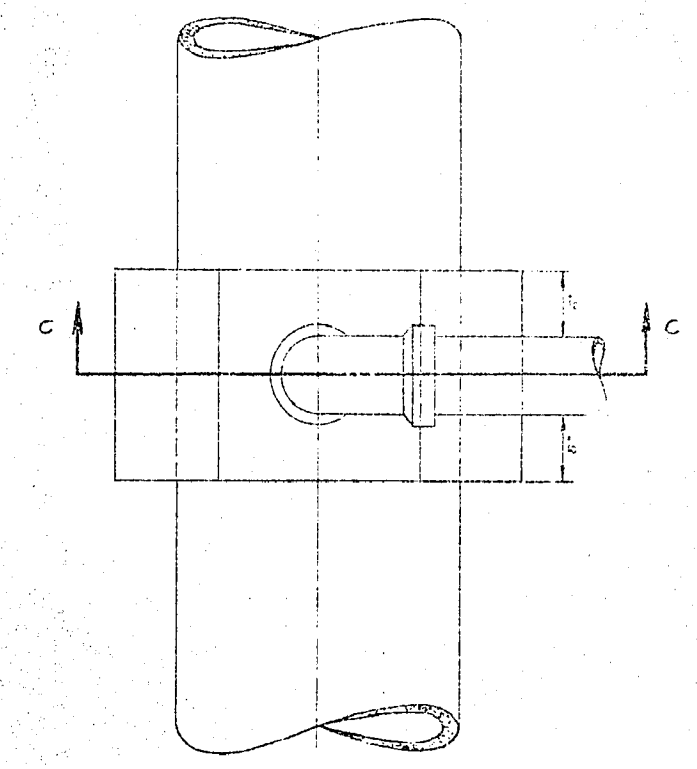


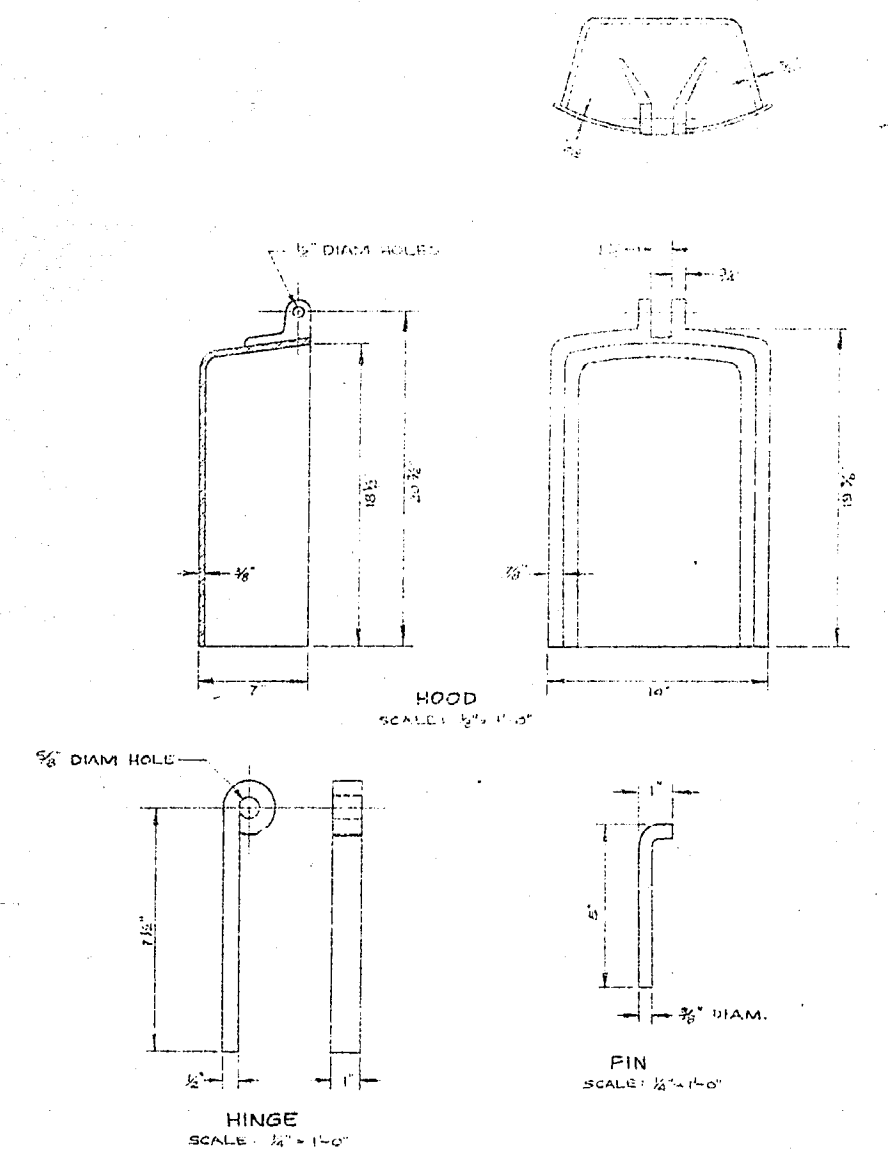
SECTION A-A
 TYPICAL DROP INLET DETAILS
 SCALE: 1/2" = 1'-0"



SECTION B-B
 STANDARD CATCH BASIN
 SCALE: 1" = 1'-0"



SECTION C-C
 RISER CONNECTION DETAIL
 SCALE: 1" = 1'-0"



CATCH BASIN HOOD DETAILS

MUNICIPALITY OF FORT GARRY	
DOWKER AVE. STORM SEWER SYSTEM	
STANDARD DETAILS (AS CONSTRUCTED)	
DRAWN BY: J.A.O.	UNDERWOOD McLELLAN & ASSOCIATES LTD.
CHECKED BY: J.A.O.	CORPORATE ENGINEERS
SHEET: 1 OF 1	DATE: June 1959
SCALE: AS SHOWN	DWG. NO. AB 22 066 06 07