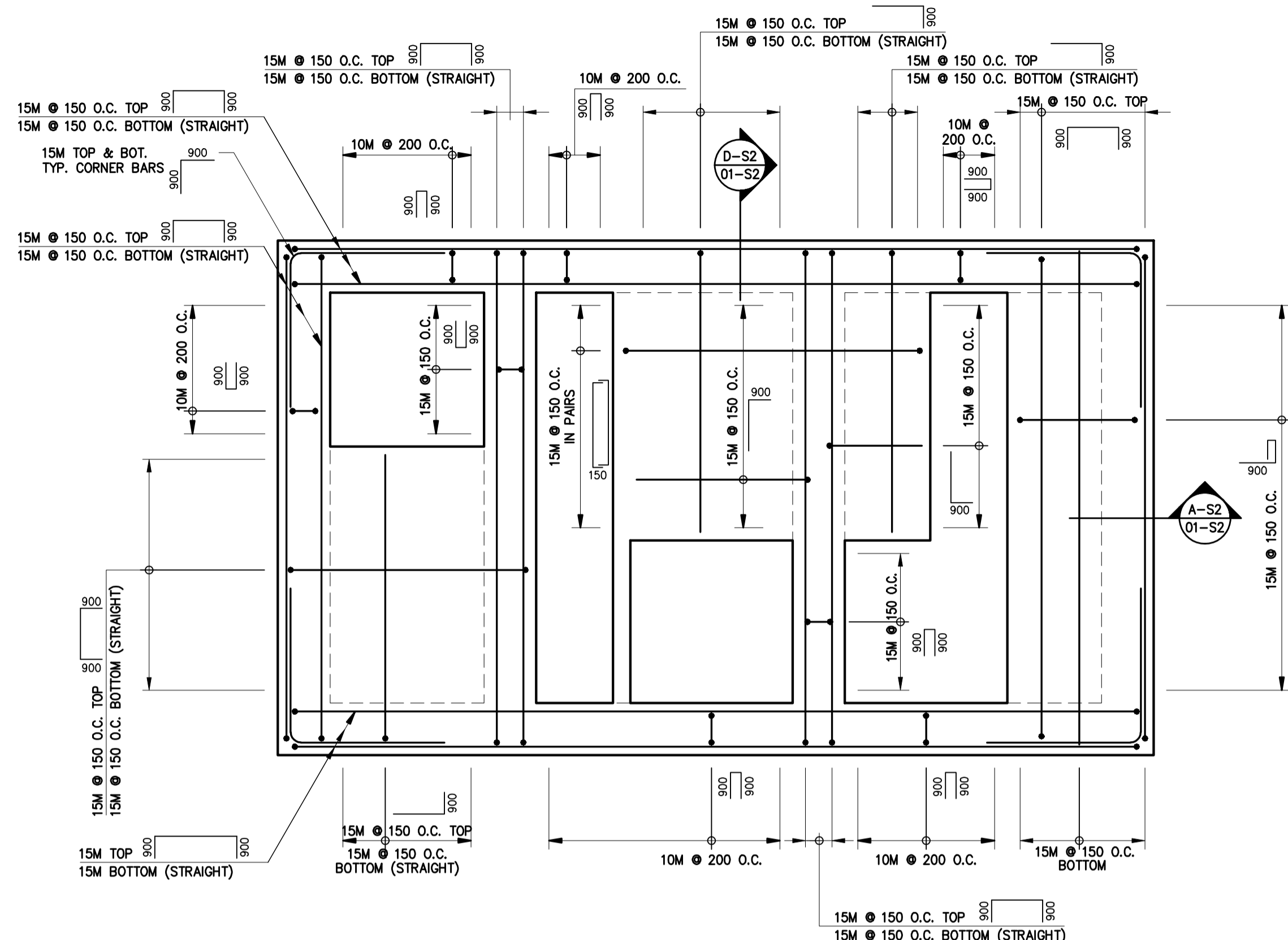
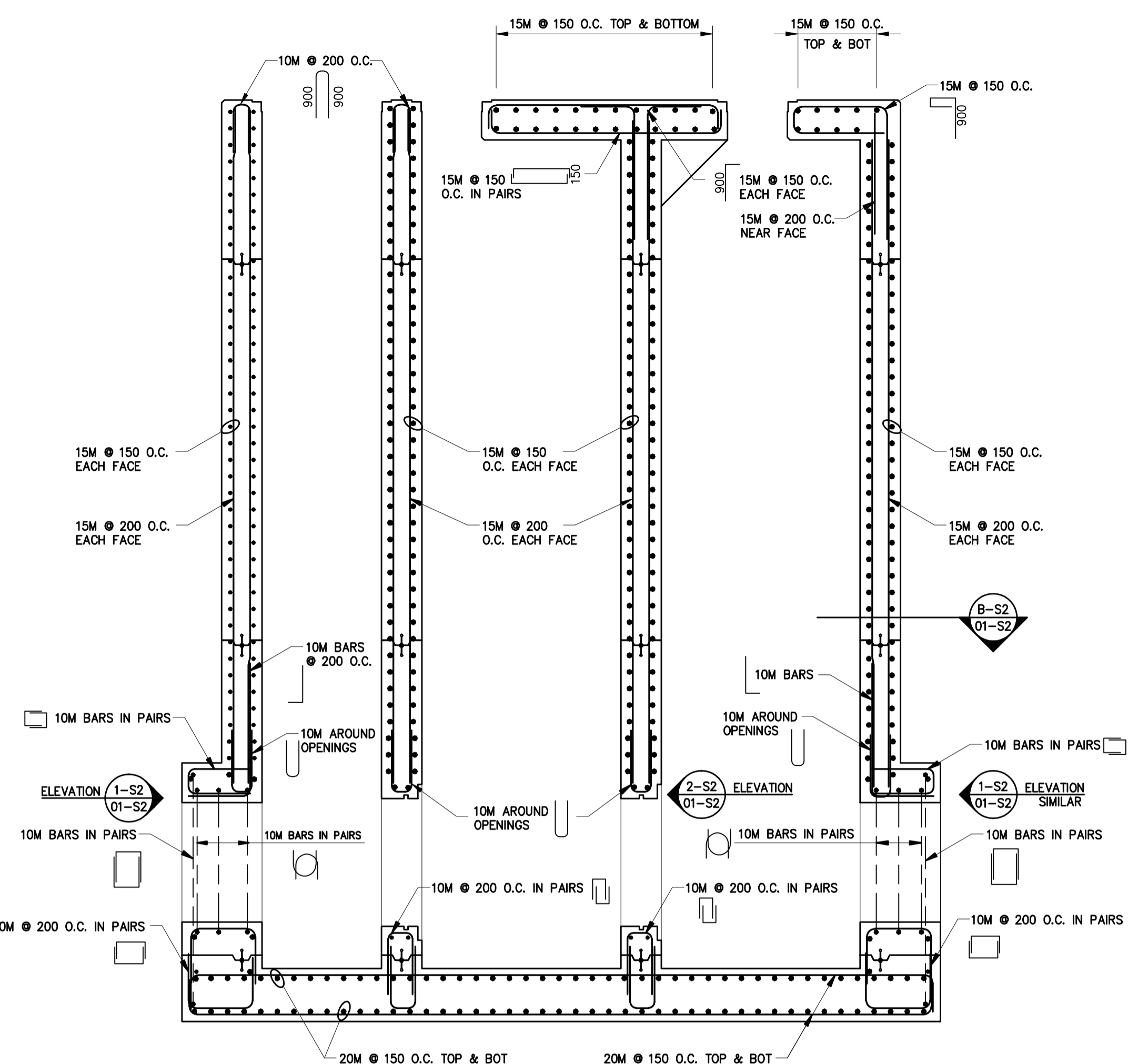


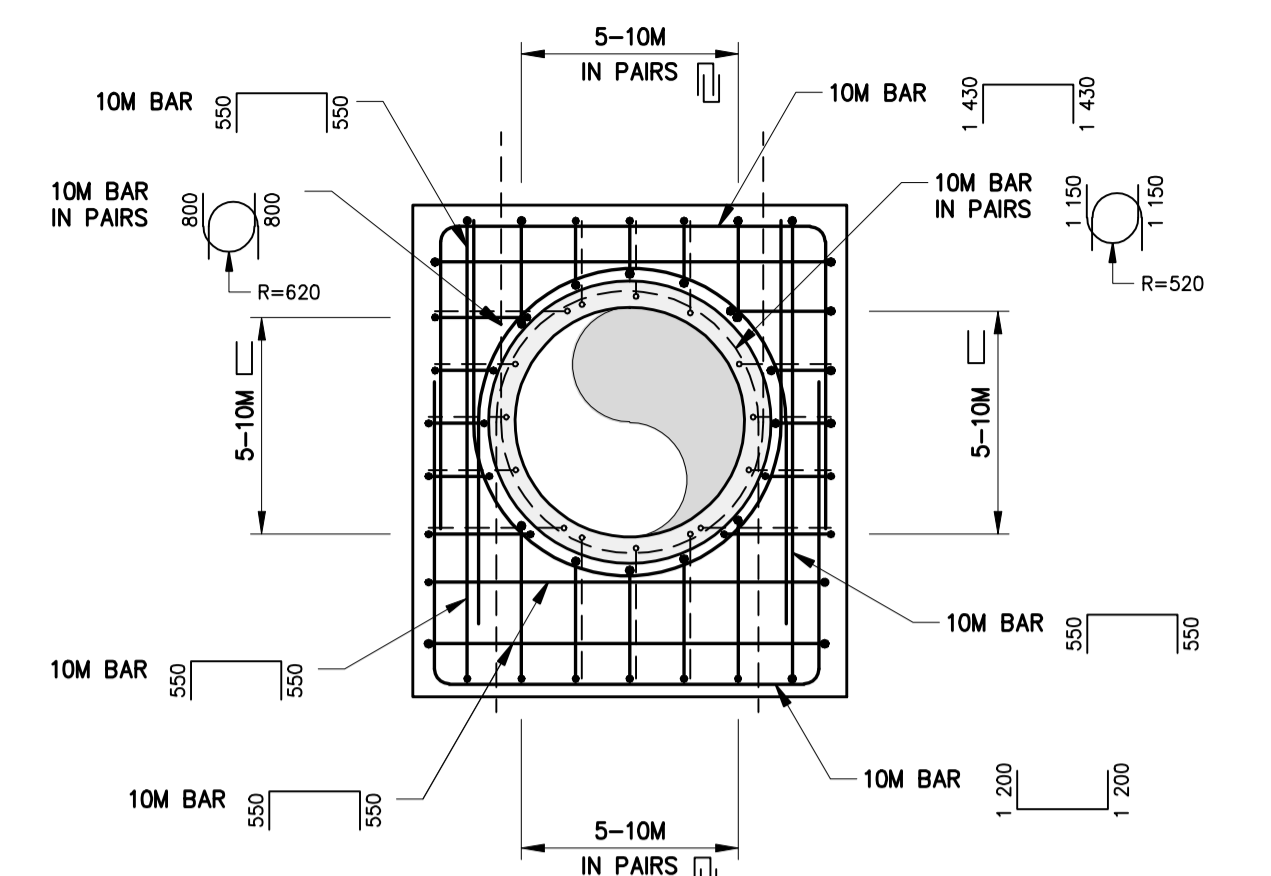
Aug 23, 2007 - 4:45pm
 P:\41800 - 41866 - 41866.dwg
 User: dower\11866.dwg
 Title: 2007 Outfall Gate Chamber Construction & Upgrades - Reinforcing
 Plot Date: 07/08/29



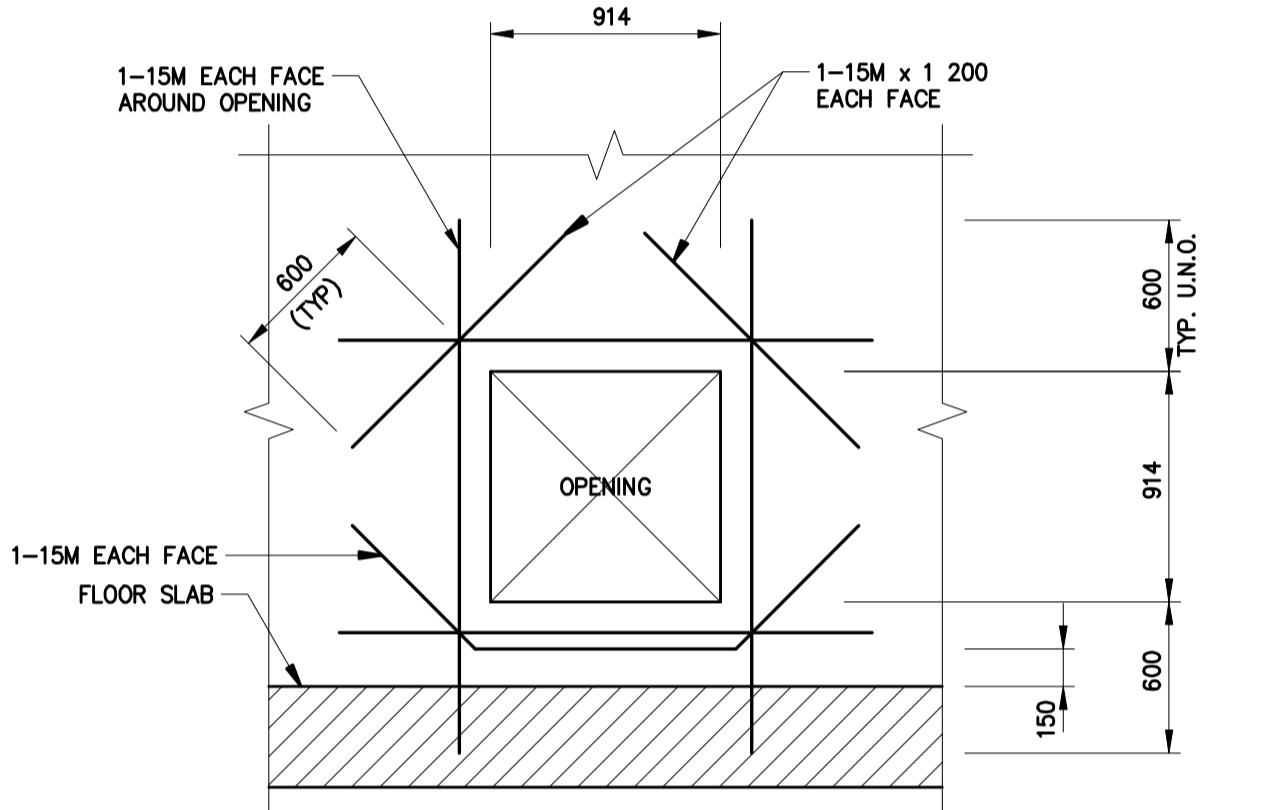
ROOF SLAB REINFORCING PLAN
1:25



SECTION (THROUGH C OF PIPE)
1:30

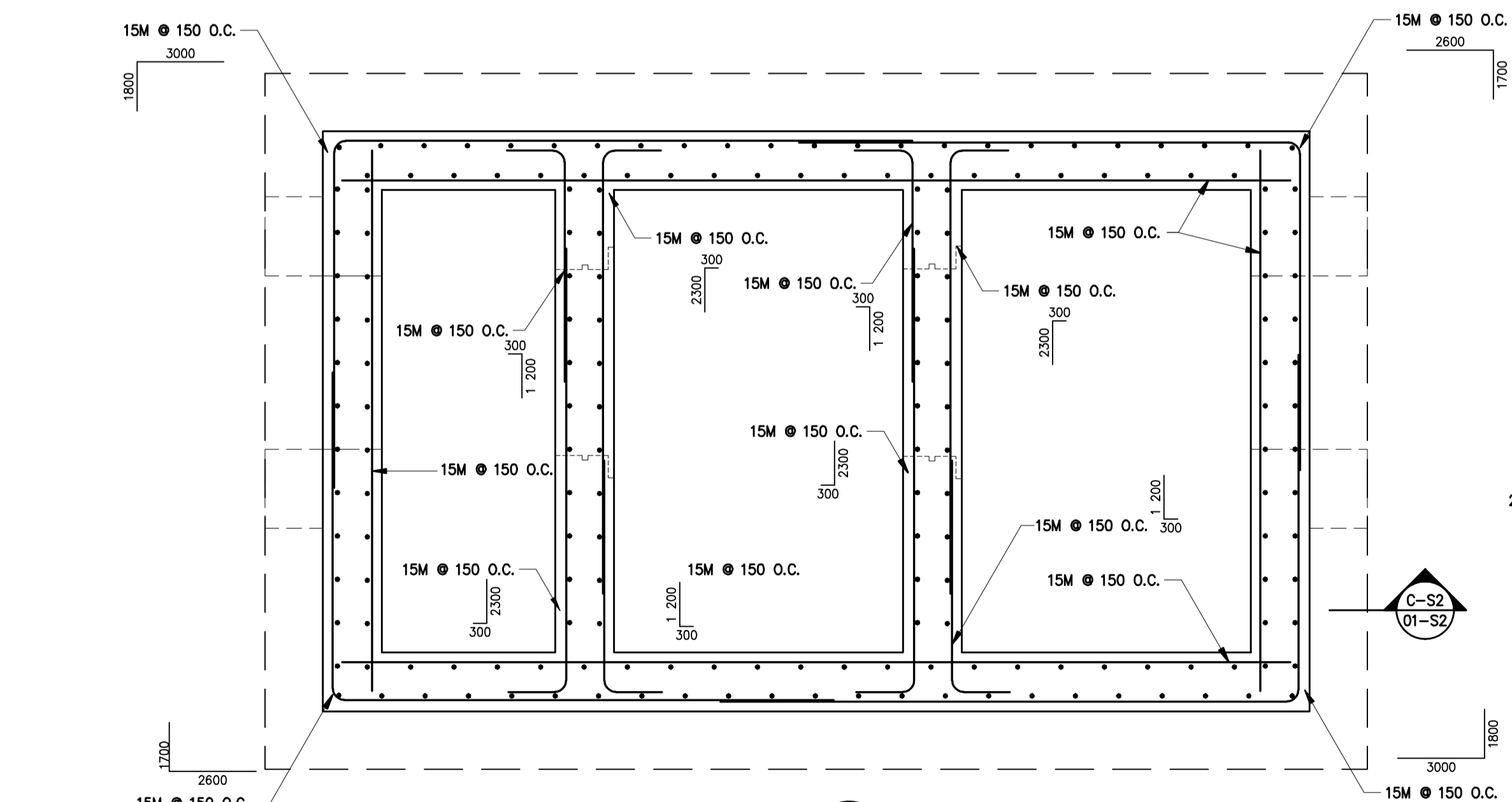


ELEVATION 1-S2
1:30

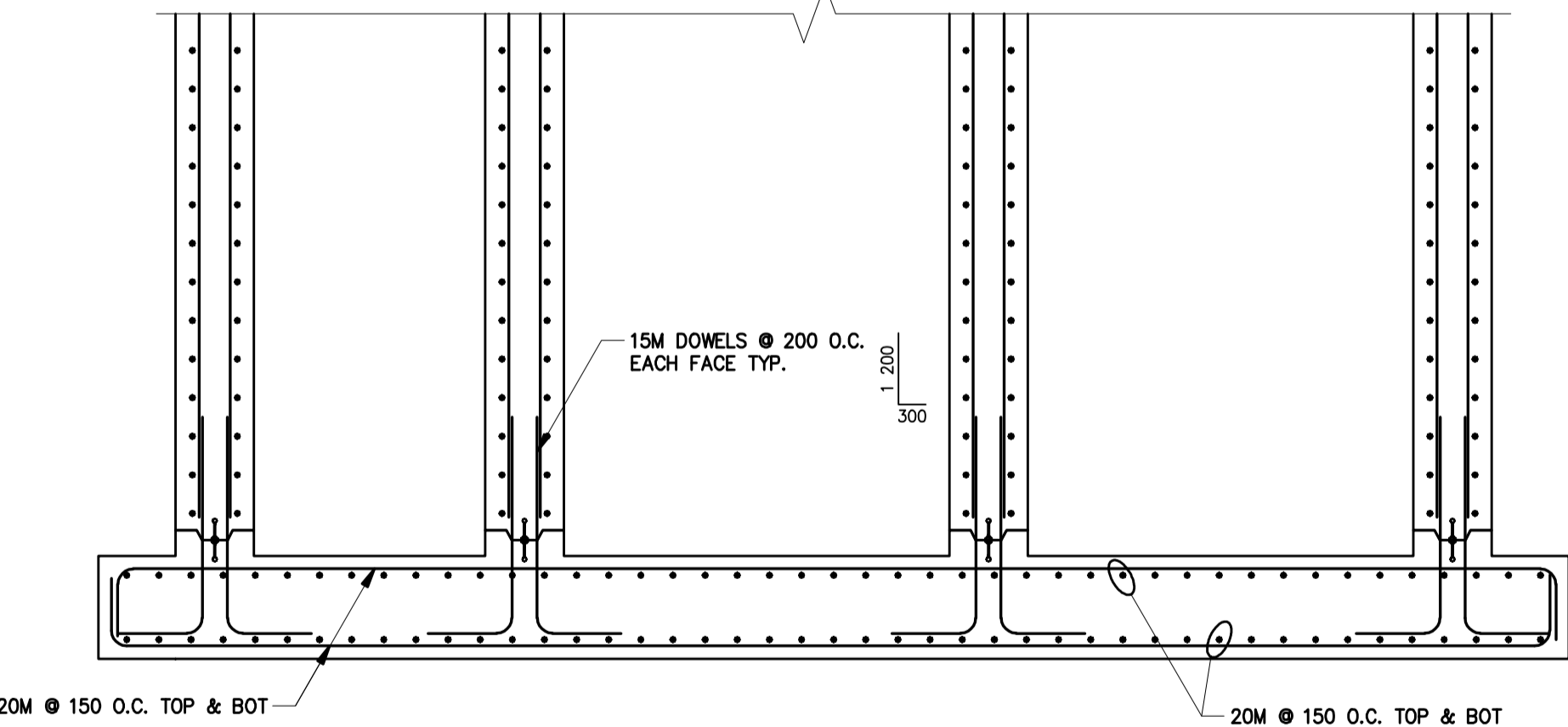


ELEVATION 2-S2
1:30

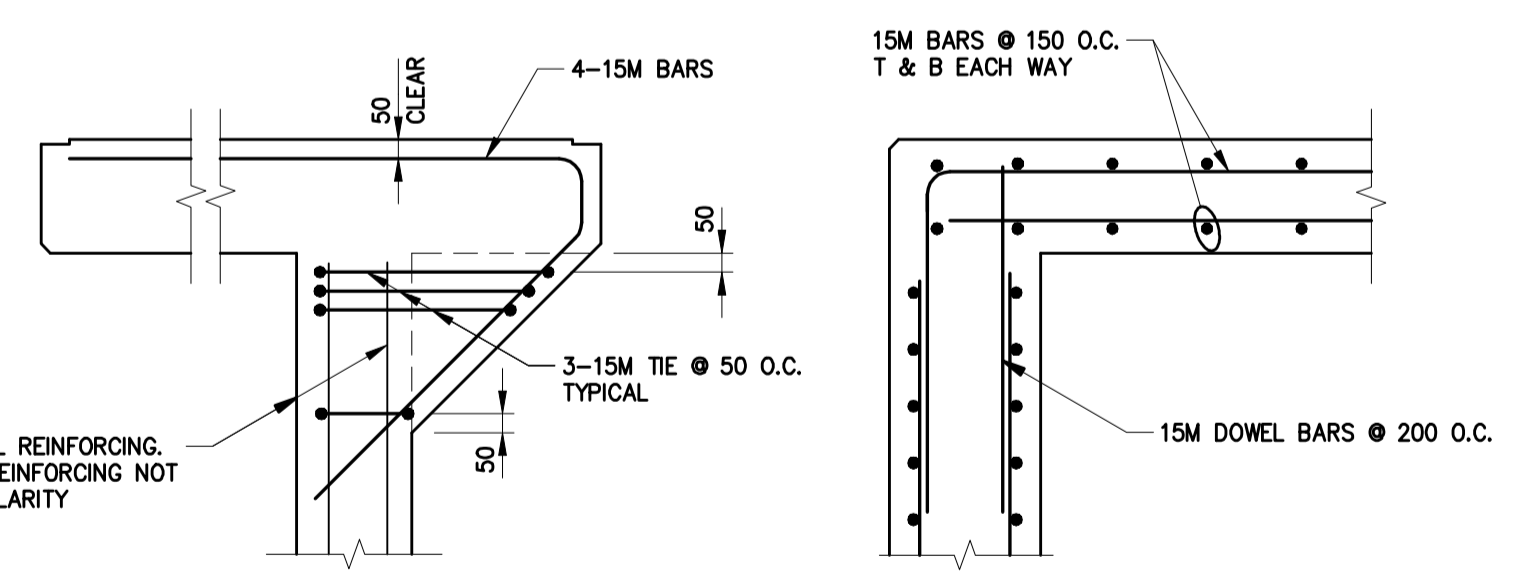
NOTE: WALL AND SLAB REINFORCING NOT SHOWN FOR CLARITY



SECTION B-S2
1:25



SECTION C-S2
1:25



DETAIL 1-S2
1:20

NOTE: ROOF SLAB REINFORCING NOT SHOWN FOR CLARITY

SECTION D-S2
1:20



A-B C
 A = DETAIL/SECTION No.
 B = DRAWING WHERE SHOWN
 C = DRAWING WHERE TAKEN

 ND LEA Inc. Suite 111 - 93 Lombard Ave. Winnipeg, MB R2S 3B1 T. 204.943.3178 F. 204.943.4848 www.mmm.ca		ENGINEER'S SEAL M.A. HATCH REGISTERED PROFESSIONAL ENGINEER
DESIGNED BY: DM	CHECKED BY: GK	BID OPPORTUNITY 663-2007 PLOT DATE: 07/08/29
DRAWN BY: ML	APPROVED BY: MH	
HOR. SCALE: AS SHOWN	RELEASED FOR CONSTRUCTION	
DATE: 2007/08/29	DATE: 2007/08/29	
NO. REVISIONS DATE BY		

METRIC
 WHOLE NUMBERS INDICATE MILLIMETRES
 DECIMALIZED NUMBERS INDICATE METRES

THE CITY OF WINNIPEG
 WATER AND WASTE DEPARTMENT

2007 OUTFALL GATE CHAMBER CONSTRUCTION & UPGRADES
DOWKER AVENUE
LDS OUTFALL GATE CHAMBER
 REINFORCING DETAILS

CONSULTANT DRAWING NUMBER: 41866-01-S2
 SHEET 3 OF 11
 CITY DRAWING NUMBER: LD-3544