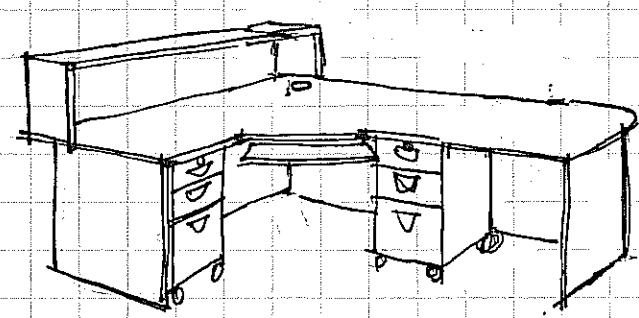
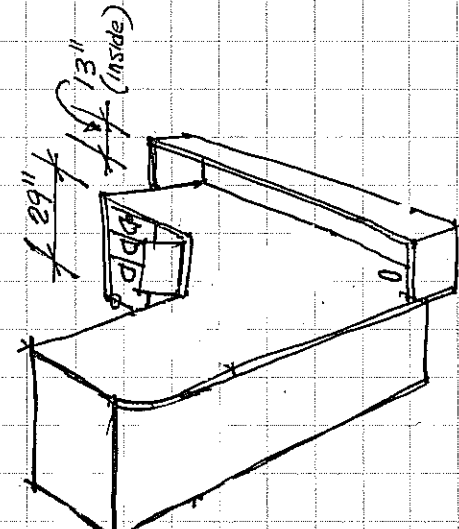


COLOURS:
 CARCASS = SLATE
 WORKSURFACE + DESK TOPPER =
 CANDLELIGHT



- KEYBOARD TRAY / DRAWER
- 2 @ MOBILE, LOCKABLE PDS BBF (ca), KEYED ALIKE
- CROMMET
- 6" OVERHANG 2 SIDES,
- DESK TOPPER: 12" DEEP, 13" HIGH (INSIDE)
 W. TACKBOARD - COLOUR TO FOLLOW

RIVER HEIGHTS LIBRARY
 1520 CORYDON AVE
 REFERENCE DESK

DRAWING Δ 20 RV
 SEDH AUG '09