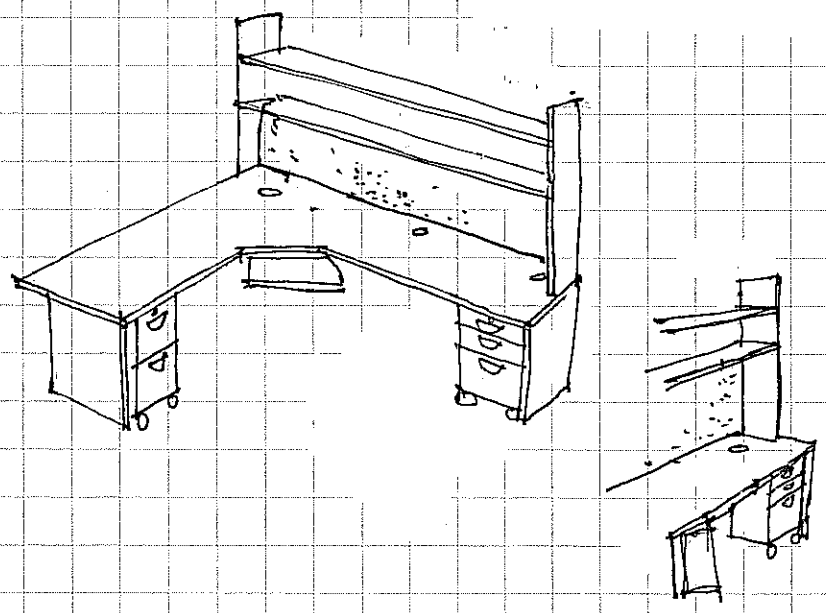


- KEYBOARD TRAY / DRAWER
- 2 MODERN, LOCKABLE PEDS, KEYPAD ALIKE  
1 @ B.B.F  
1 @ F.F
- STANDARD HUTCH
- TALKBOARDS
- 2 LIGHTS
- 3 GROMMETS



ST VITAE LIBRARY PAGE 2  
SUPERVISOR'S OFFICE

A-22

SEDH  
AUG '07