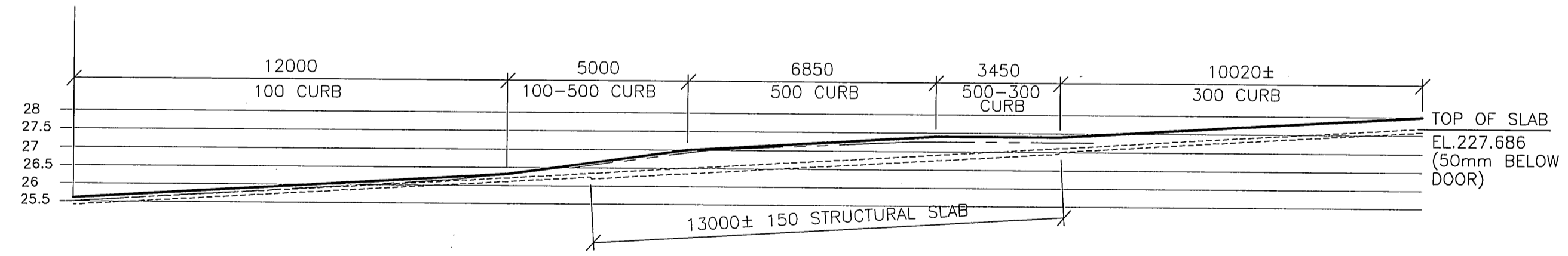
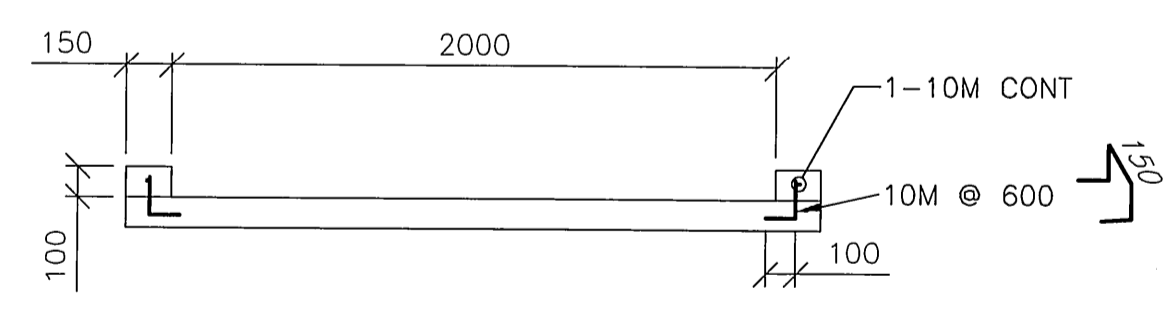


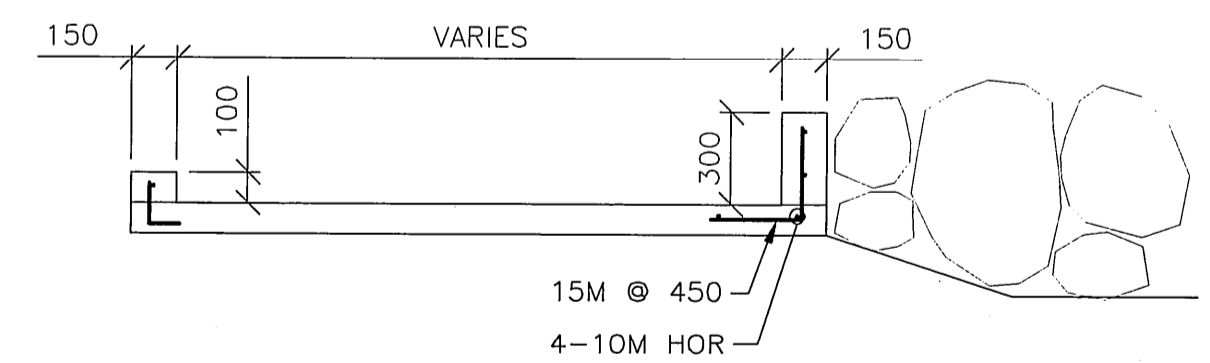
1 PARTIAL PLAN - CONC SIDEWALK
1 : 75



2 ELEVATION
1 : 125



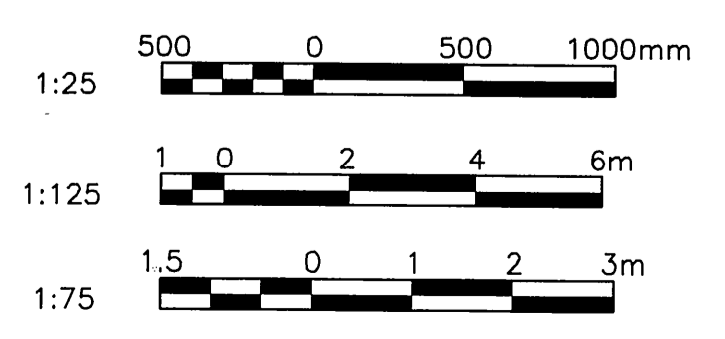
3 SECTION
1 : 25



4 SECTION
1 : 25

RECORD DRAWING
DATE 05.01.20 BY G.I.
REVIEWED BY *BF*

APEGM
Certificate of Authorization
Wardrop Engineering Inc.
No. 195 Expiry: April 30, 2004



| B.M. ELEV. | F.B. | DATE | BY |
|------------|------|------|----|
| | | | |
| | | | |
| | | | |
| | | | |
| | | | |

WARDROP Engineering Inc.

| | | | |
|---------------|-------------|-------------|----------|
| DESIGNED BY | S.B./C.R.M. | CHECKED BY | C.R.M. |
| DRAWN BY | G.I. | APPROVED BY | R.H.W. |
| HOR. SCALE: | AS NOTED | ACCEPTED BY | DATE |
| VERTICAL: | AS NOTED | | |
| NO. REVISIONS | DATE | DATE | 03.10.03 |

B. EBENSPÄNGER, P. ENG. BRIDGE DESIGN AND PROJECTS ENGINEER

| | |
|---|--|
| <p>THE CITY OF WINNIPEG PUBLIC WORKS DEPARTMENT ENGINEERING DIVISION</p> | |
| <p>PROVENCHER PAIRED BRIDGES PROJECT PEDESTRIAN BRIDGE</p> | <p>CITY DRAWING NUMBER B231-02-133 SHEET OF</p> |
| <p>EAST LANDING CONCRETE SIDEWALK TO EAST ABUTMENT DOOR</p> | <p>CONSULTANT DRAWING NO. 010007-13-05</p> <p>1408C-1</p> |