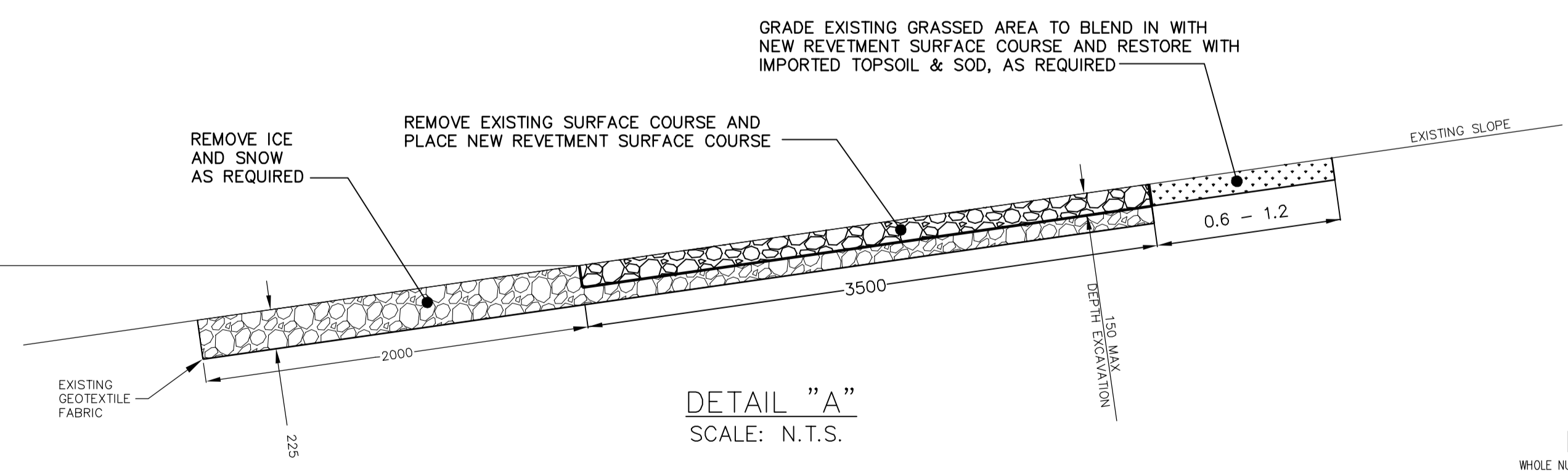


FOR CONTINUATION  
SEE DRAWING LD-3566

HIGH WATER LEVEL ELEV. 231.04  
NORMAL WATER LEVEL (NWL) ELEV. 229.82  
(FROM RECORD DRAWING)  
LAKE BOTTOM ELEV. 227.99



DETAIL "A"  
SCALE: N.T.S.

METRIC  
WHOLE NUMBERS INDICATE MILLIMETRES  
DECIMALIZED NUMBERS INDICATE METRES

**NOTES :**

1. CONTRACTOR TO LAYOUT AND MARK EXISTING OUTFALL PIPES.
2. CONSTRUCTION ACCESS FROM EDMUND MUYS PLACE AND LINDENWOOD DRIVE W ONLY.
3. RESTORATION OF GRASSED AREAS TO BE WITH SOD USING IMPORTED TOPSOIL IN ACCORDANCE WITH CW 3510
4. RESTRICT CONSTRUCTION ACTIVITIES TO CITY PROPERTIES.
5. RESTORE ASPHALT PATHWAYS TO MATCH EXISTING, IN ACCORDANCE WITH CW 3410

**LEGEND**

- REMOVE AND HAUL EXCAVATED REVETMENT COURSE MATERIAL OFF-SITE
- SPREAD EXCAVATED REVETMENT MATERIAL BELOW NORMAL WATER LINE

B.M. ELEV.	FIELD BOOK #	<b>CITY OF WINNIPEG WATER AND WASTE ENGINEERING DIVISION</b>		ENGINEER'S SEAL	<b>THE CITY OF WINNIPEG</b> WATER AND WASTE DEPARTMENT	2007 STORMWATER RETENTION BASIN RETVEMENT REPLACEMENT LAKE 6-24	SHEET 4 OF 4 CITY DRAWING NUMBER <b>LD-3568</b>
POSTED TO LBIS		DESIGNED BY: DEB	CHECKED BY: TW	ORIGINAL SIGNED BY: K.R. ZUREK 07/09/17			
		DRAWN BY: CJH/WKT	APPROVED BY: KZ		BID OPPORTUNITY: 691-2007 FILENAME : LD-3568.dwg PLOT DATE: 2007 09 11		
		HOR. SCALE: 1:1000	RELEASED FOR CONSTRUCTION				
NO. REVISIONS	DATE BY	DATE: 2007 09 11	DATE				