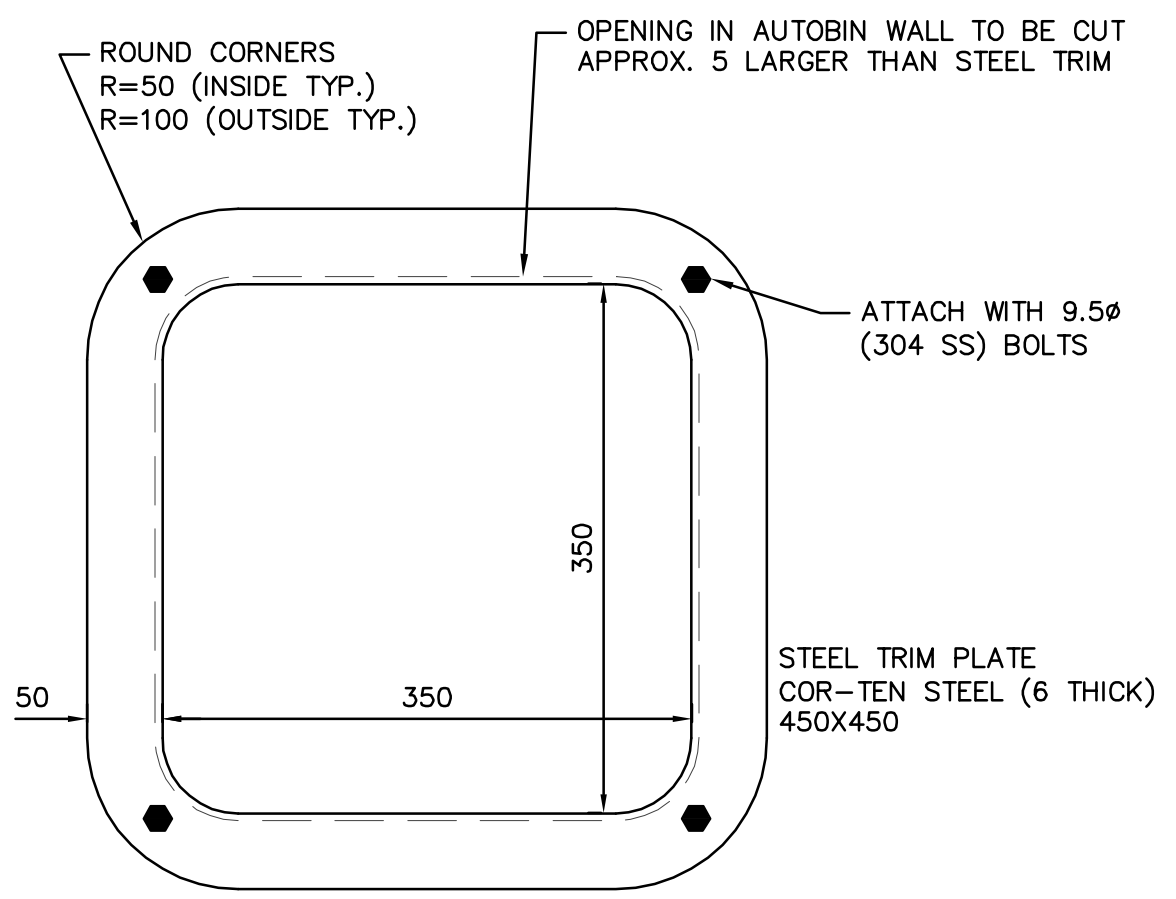


CONTAINER AUTOBIN  
FRONT VIEW  
N.T.S.



CONTAINER  
STEEL TRIM PLATE  
DETAIL  
N.T.S.

**METRIC**  
WHOLE NUMBERS INDICATE MILLIMETRES  
DECIMALIZED NUMBERS INDICATE METRES

B.M. ELEV.		FIELD BOOK #		<b>CITY OF WINNIPEG</b> <b>WATER AND WASTE</b> <b>ENGINEERING DIVISION</b>		ENGINEER'S SEAL		<b>THE CITY OF WINNIPEG</b> <b>WATER AND WASTE DEPARTMENT</b>	
POSTED TO LBIS						DESIGNED BY			
				DRAWN BY <b>WKT</b>		APPROVED BY		REFURBISHING OF RECYCLING AUTOBINS	
				HOR. SCALE <b>N.T.S.</b>		RELEASED FOR CONSTRUCTION		SHEET <b>1</b> OF <b>3</b>	
				VERTICAL		DATE <b>2007 09 18</b>		CITY DRAWING NUMBER	
NO. REVISIONS		DATE BY		DATE		DATE		SWD-D-392	

FILENAME : SWD-D-392.dwg  
PLOT DATE : 2007 09 18