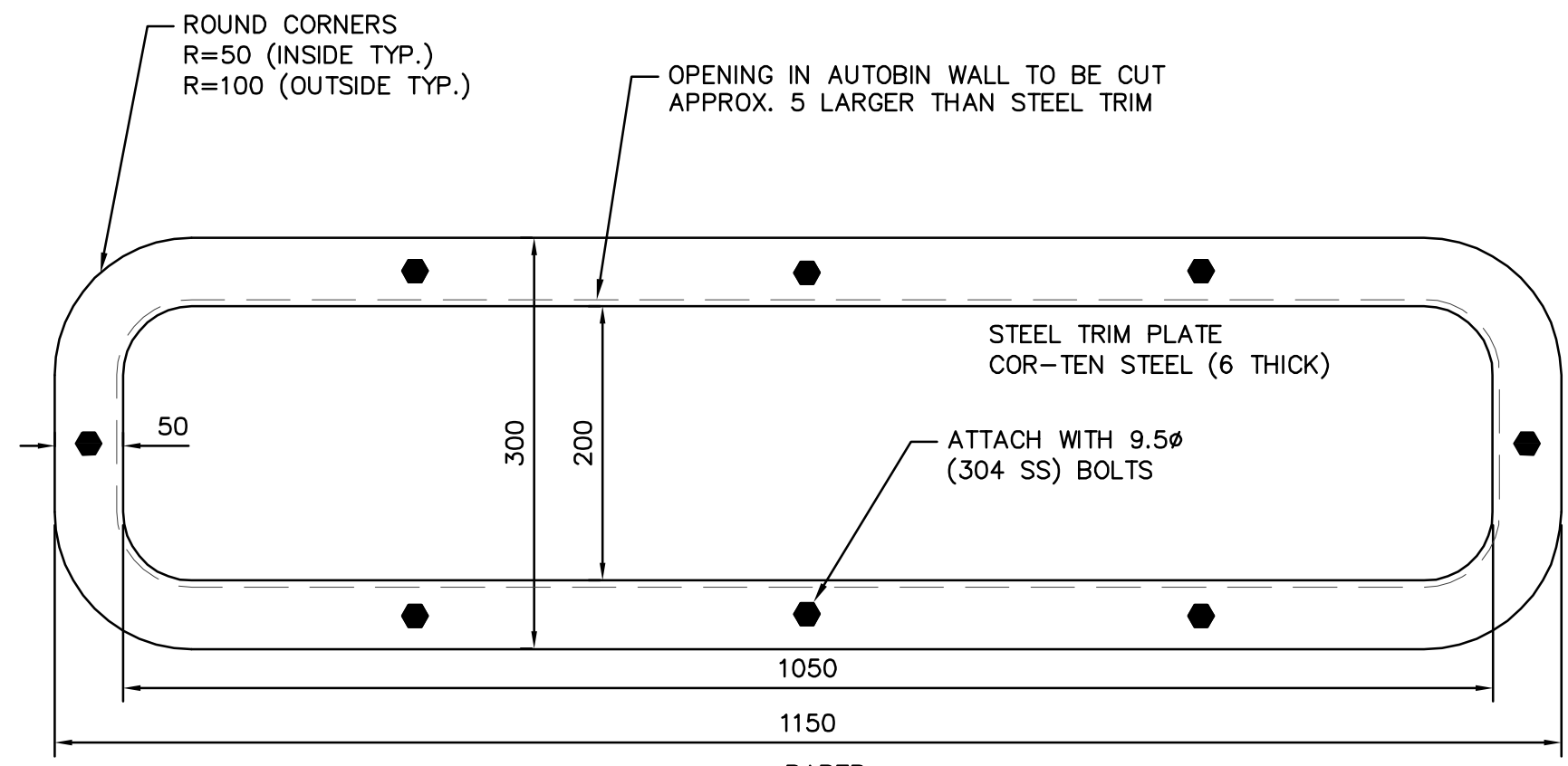


PAPER AUTOBIN
FRONT VIEW
N.T.S.



PAPER
STEEL TRIM PLATE
DETAIL
N.T.S.

METRIC
WHOLE NUMBERS INDICATE MILLIMETRES
DECIMALIZED NUMBERS INDICATE METRES

B.M. ELEV.	FIELD BOOK #	CITY OF WINNIPEG WATER AND WASTE ENGINEERING DIVISION		ENGINEER'S SEAL	THE CITY OF WINNIPEG WATER AND WASTE DEPARTMENT			
POSTED TO LBIS								
DESIGNED BY		CHECKED BY		REFURBISHING OF RECYCLING AUTOBINS PAPER AUTOBIN	SHEET 2 OF 3 CITY DRAWING NUMBER SWD-D-393			
DRAWN BY	WKT	APPROVED BY						
HOR. SCALE	N.T.S.	RELEASED FOR CONSTRUCTION						
NO.	REVISIONS	DATE	BY	DATE	2007 09 18	DATE		FILENAME : SWD-D-393.dwg PLOT DATE : 2007 09 18