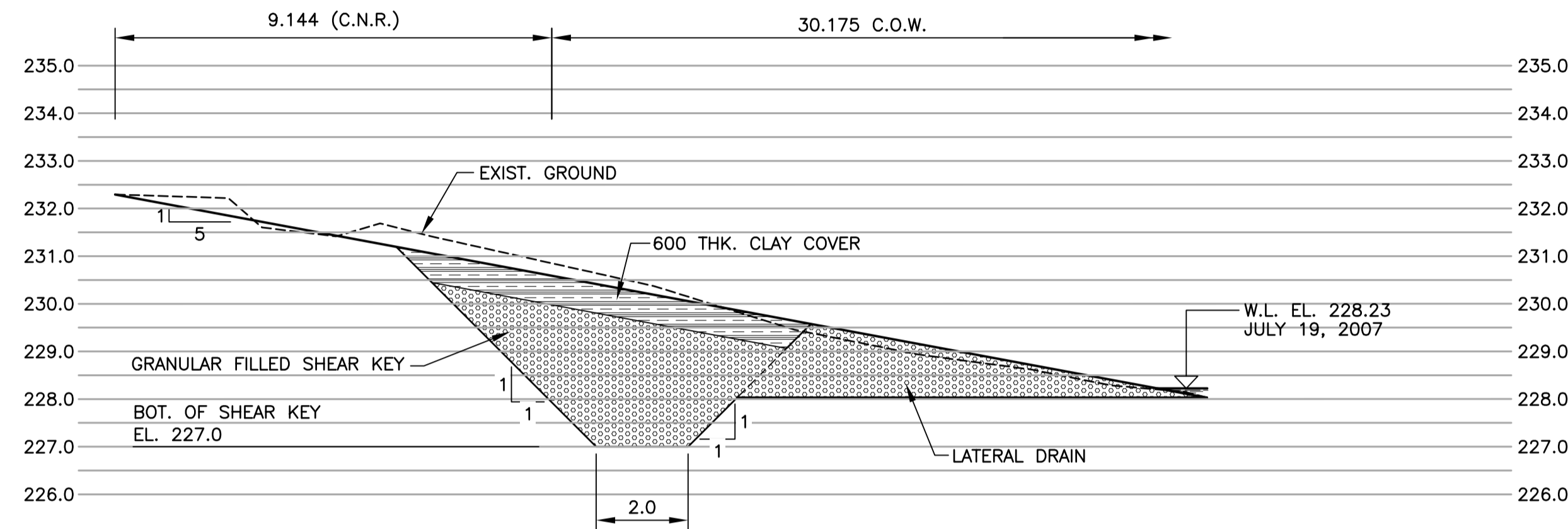
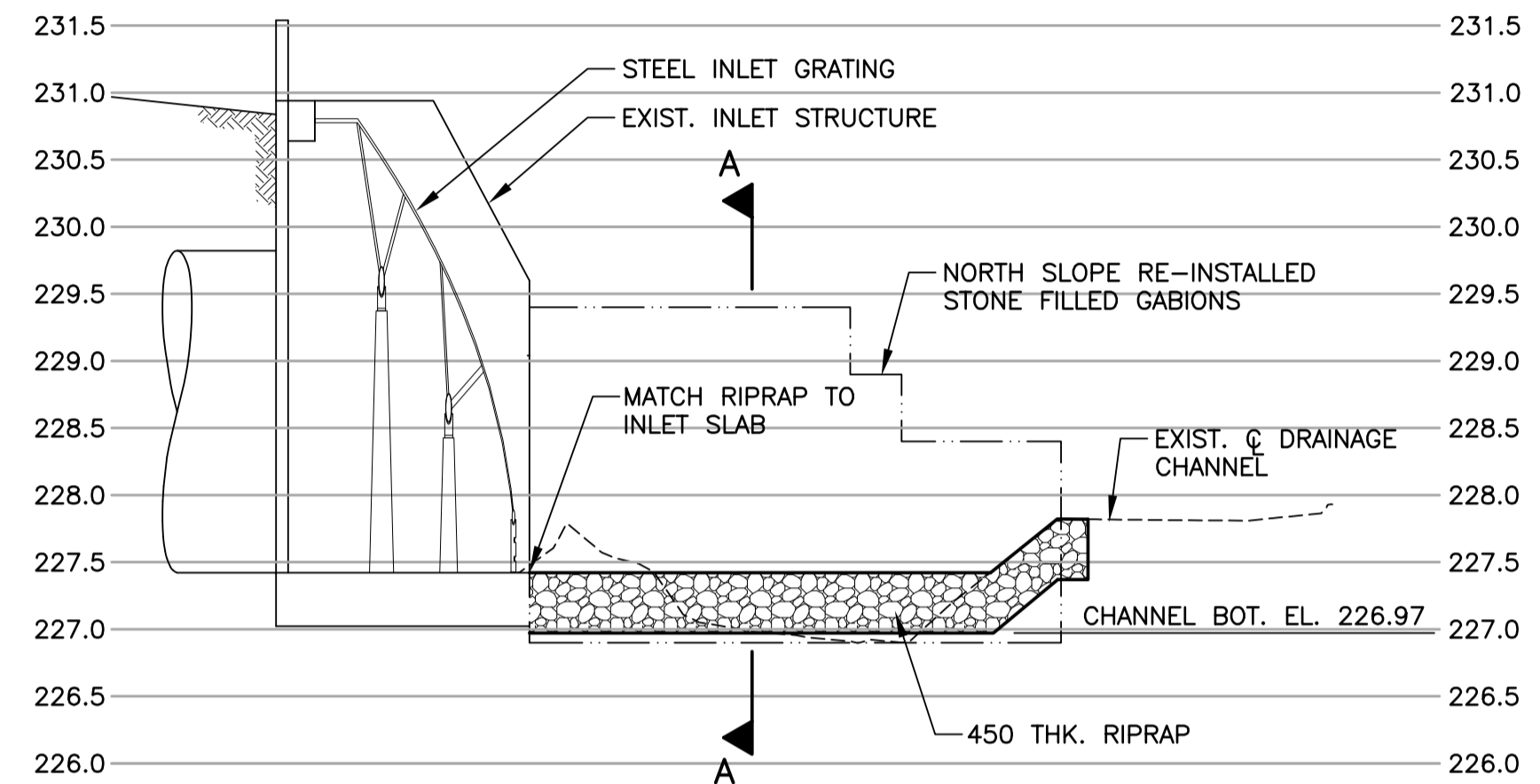


SECTION A-A
SCALE 1:100

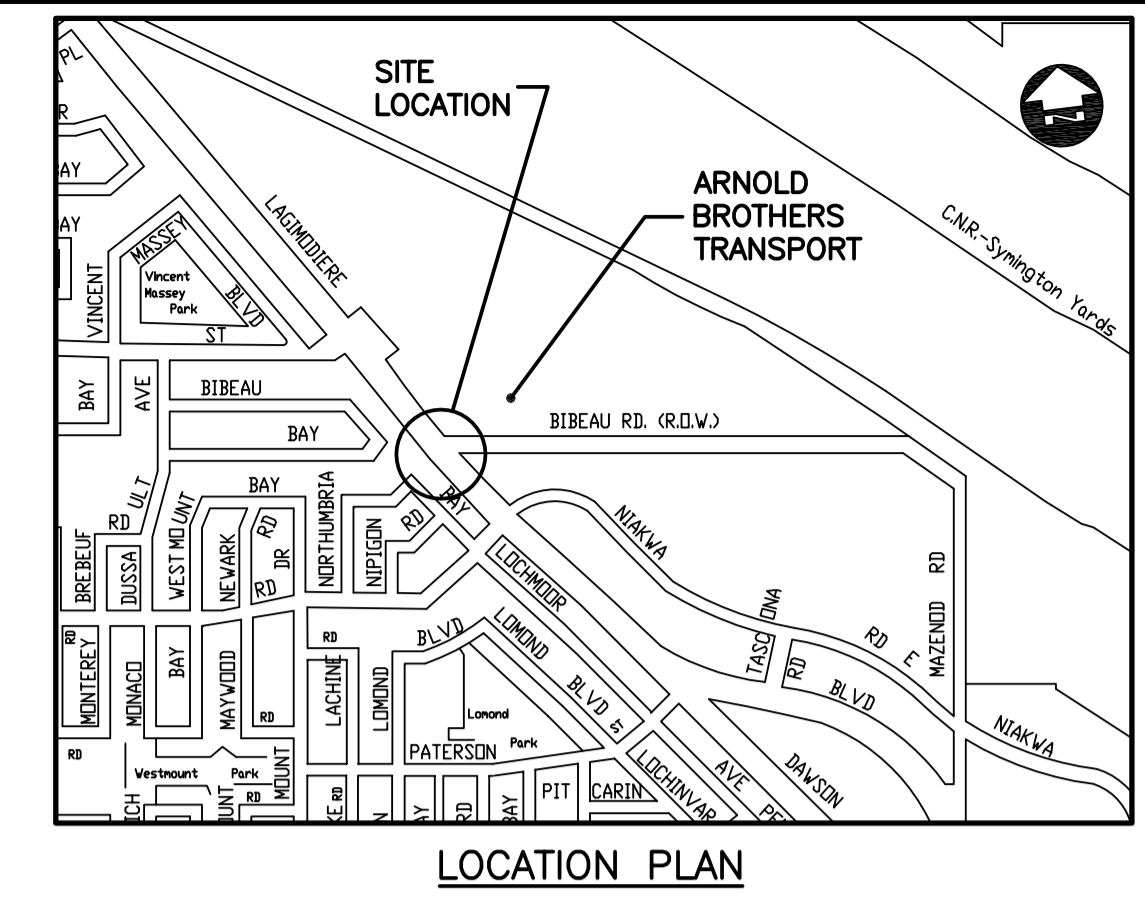


SECTION B-B
SCALE 1:100

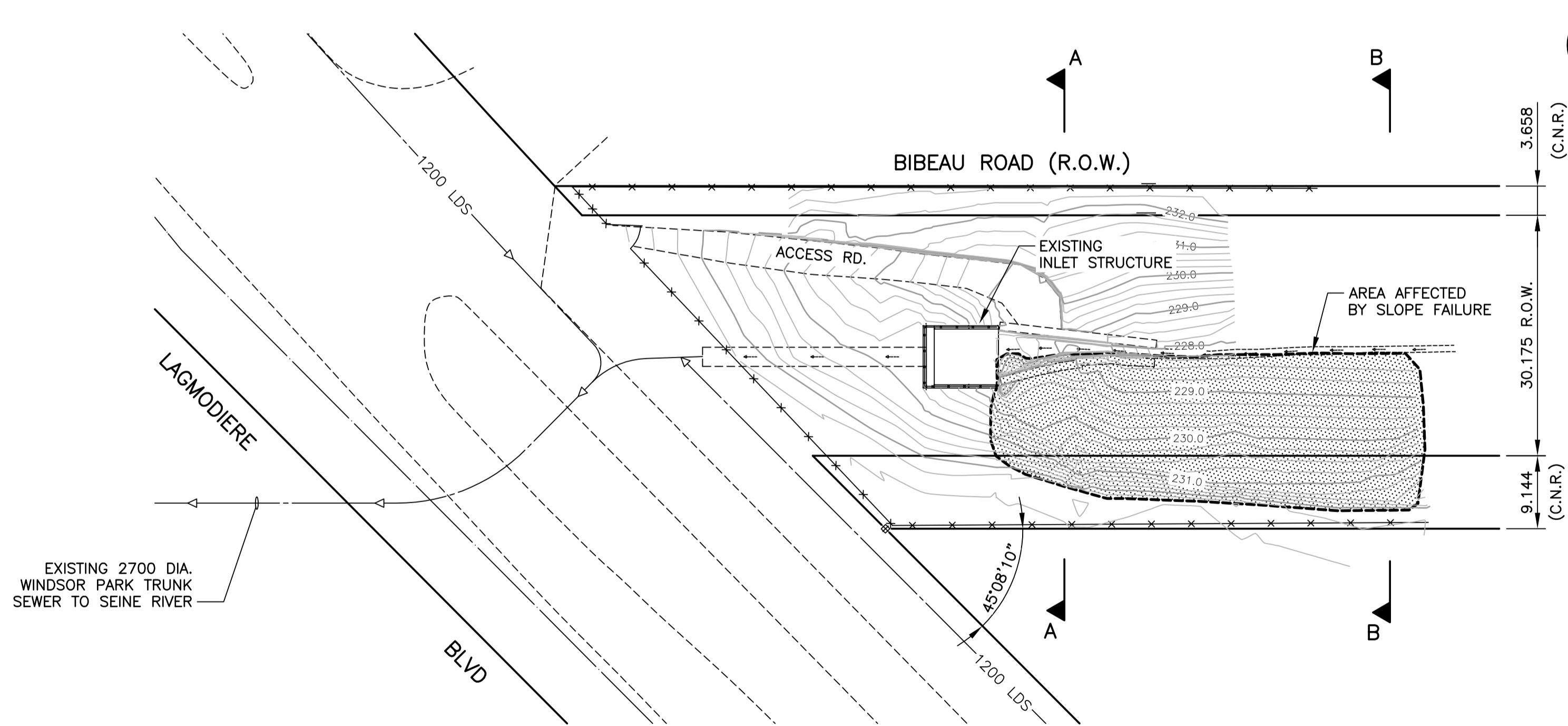


PROFILE - DRAINAGE CHANNEL
SCALE HOR. 1:250 VER. 1:50

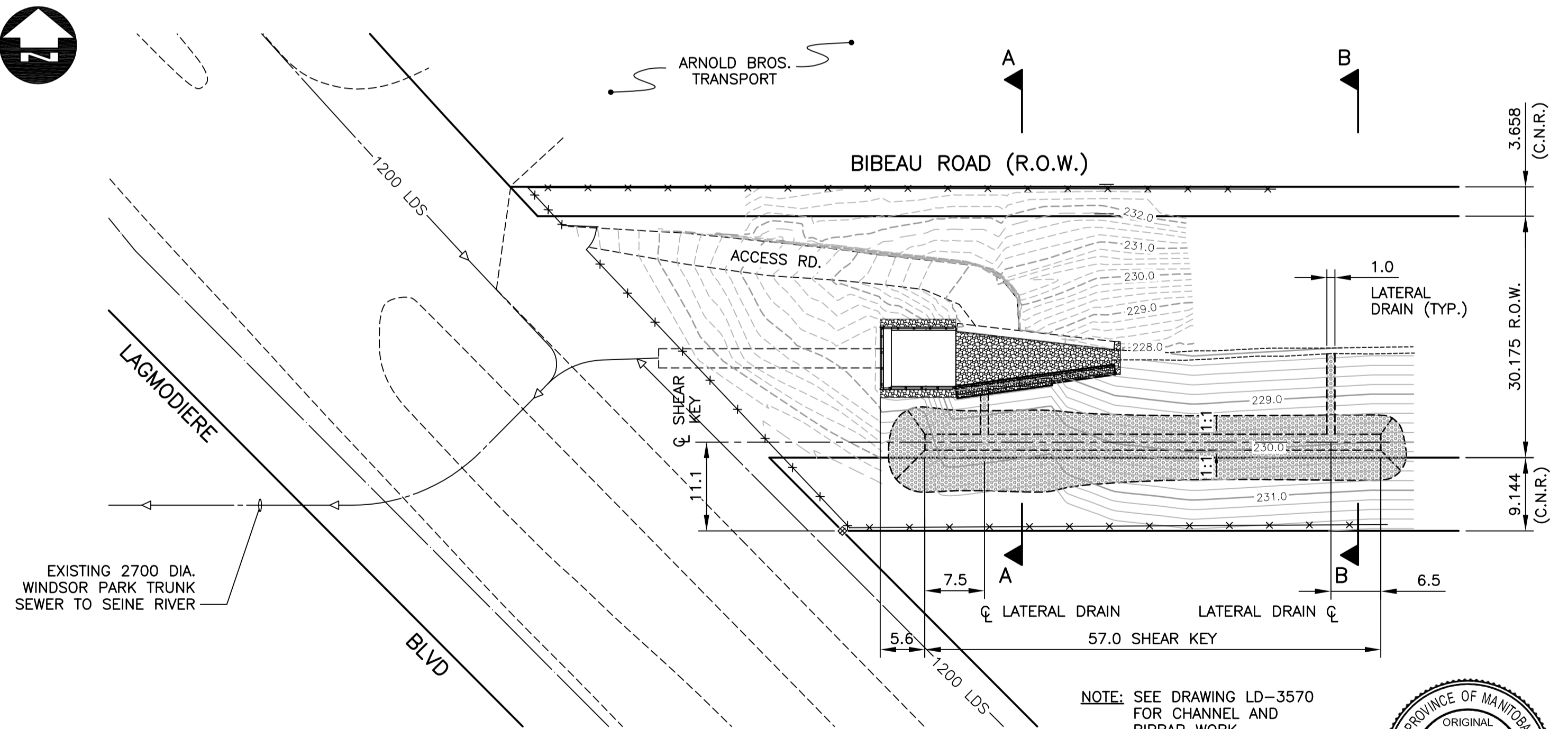
NOTE: CONTRACTOR TO CLEAN OUT SEDIMENT BUILD UP TO ELEVATION INDICATED ON PROFILE.



LOCATION PLAN



PLAN - EXISTING SITE
SCALE 1:500



PLAN - PROPOSED SLOPE FAILURE WORK
SCALE 1:500

NOTE: SEE DRAWING LD-3570 FOR CHANNEL AND RIPRAP WORK



METRIC
WHOLE NUMBERS INDICATE MILLIMETRES
DECIMALIZED NUMBERS INDICATE METRES

| | | | | | | |
|---------------|---------------------|---------------|----------------|----------------|---------------------|---------------|
| 150 mm W.M. | WATERMAIN | 150 mm W.M. | HYDRO | 150 mm W.M. | WATERMAIN | 150 mm W.M. |
| Hydrant | HYDRANT | Hydrant | M.T.S. | Hydrant | HYDRANT | Hydrant |
| Valve | VALVE | Valve | CONCRETE | Valve | VALVE | Valve |
| 300 mm L.O.S. | LAND DRAINAGE SEWER | 300 mm L.O.S. | ASPHALT | 300 mm L.O.S. | LAND DRAINAGE SEWER | 300 mm L.O.S. |
| 250 mm W.W.S. | WASTE WATER SEWER | 250 mm W.W.S. | PROPERTY LINE | 250 mm W.W.S. | WASTE WATER SEWER | 250 mm W.W.S. |
| Manhole | MANHOLE | Manhole | SURVEY BAR | Manhole | MANHOLE | Manhole |
| Catch Basin | CATCH BASIN | Catch Basin | SERVICE VALVE | Catch Basin | CATCH BASIN | Catch Basin |
| Curb Inlet | CURB INLET | Curb Inlet | TREE | Curb Inlet | CURB INLET | Curb Inlet |
| Junctions | JUNCTIONS | Junctions | LIGHT STANDARD | Junctions | JUNCTIONS | Junctions |
| Culvert | CULVERT | Culvert | FENCE | Culvert | CULVERT | Culvert |
| Gas | GAS | Gas | GUY ANCHOR | Gas | GAS | Gas |
| EXISTING | LEGEND-PLAN | PROPOSED | EXISTING | LEGEND-PROFILE | PROPOSED | EXISTING |

| | | | |
|---|-------------------|----------|--------|
| UNDERGROUND STRUCTURES | | DATE | |
| SUPV. U/G STRUCTURES COMMITTEE | | | |
| NOTE: LOCATION OF UNDERGROUND STRUCTURES AS SHOWN ARE BASED ON THE BEST INFORMATION AVAILABLE. BUT NO GUARANTEE IS GIVEN THAT ALL EXISTING UTILITIES ARE SHOWN OR THAT THE GIVEN LOCATIONS ARE EXACT. CONFIRMATION OF EXISTENCE AND EXACT LOCATION OF ALL SERVICES MUST BE OBTAINED FROM THE INDIVIDUAL UTILITIES BEFORE PROCEEDING WITH CONSTRUCTION. | | | |
| 1 | ISSUED FOR TENDER | 11/27/07 | A.S.D. |
| NO. | REVISIONS | DATE | BY |

| | | | |
|------------|------------|---------------------------|-------------------|
| B.M. ELEV. | GCM 55-015 | DESIGNED BY | A.D.G. |
| | 233.170 | DRAWN BY | S.K.B. |
| | | CHECKED BY | |
| | | APPROVED BY | |
| | | HOR. SCALE | AS NOTED |
| | | VERTICAL | |
| | | RELEASED FOR CONSTRUCTION | |
| | | ORIGINAL SIGNED BY | KAS ZUREK, P.Eng. |
| | | DATE | NOV. 28, 2007 |

| | |
|----------------------------------|----------------------|
| ENGINEER'S SEAL | PROVINCE OF MANITOBA |
| ORIGINAL STAMPED BY | A.D. GOULD |
| REGISTERED PROFESSIONAL ENGINEER | 11/27/07 |
| CONSULTANT PROJECT NO. | 07-8106-1000 |

THE CITY OF WINNIPEG
WATER AND WASTE DEPARTMENT

Winnipeg

BIBEAU DRAIN SLOPE FAILURE REPAIRS

GENERAL ARRANGEMENT AND PROPOSED WORKS

CITY DRAWING NUMBER **LD-3569**

SHEET **1** OF **2**

BID NO. **732-2007**