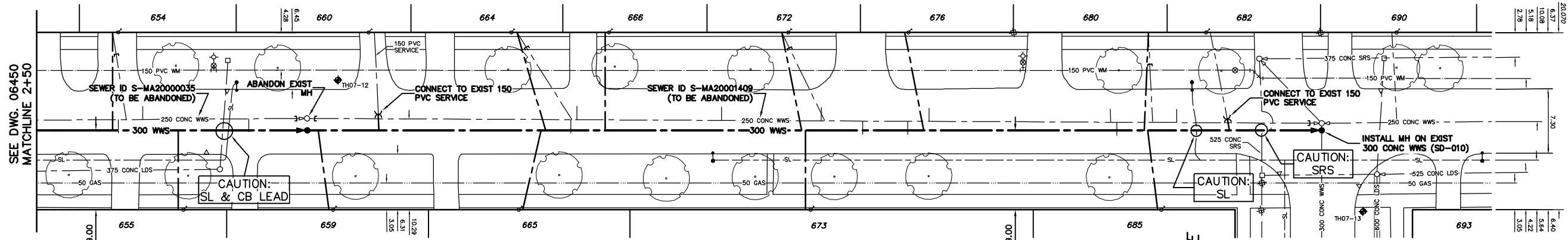


FOR SEWER SERVICE TABLE  
SEE DRAWING 06449

FOR CONSTRUCTION NOTES:  
SEE DRAWING 06449

NOTE: CHAINAGES SHOWN ARE ALONG  
W. R. OF ISBISTER ST

ISBISTER STREET



SEWER JUNCTION INFORMATION  
FROM SEWER VIDEO INSPECTION  
SEWER ID S-MA2000035

DISTANCE FROM MH ID S-MH20004549	100#	TOP	JN
94.1 N	100#	TOP	JN
96.9 N	100#	WEST	CN
108.9 N	100#	TOP	CN

SEWER JUNCTION INFORMATION  
FROM SEWER VIDEO INSPECTION  
SEWER ID S-MA20001409

DISTANCE FROM MH ID S-MH20001269			
8.1 N	150#	TOP	CX
29.9 N	150#	TOP	CX
30.6 N	150#	TOP	CX
47.0 N	150#	TOP	CX
56.3 N	150#	WEST	CX
63.0 N	150#	TOP	CX
70.5 N	150#	WEST	CX
74.7 N	150#	TOP	CX
97.7 N	150#	TOP	CX
98.4 N	150#	EAST	CX
105.2 N	150#	WEST	CNI PVC

WATER SERVICE INFORMATION

ADDRESS	SIZE(mm) & TYPE (STREET)	SIZE(mm) & TYPE (PROP)	SHORT & LONG MEASUREMENT	CORP. LOCATION
654 ISBISTER ST	20 COPPER	20	85.51>NNL DUNDURAND	3.34 N OF S/C
655 ISBISTER ST	20 COPPER	20	11.36 S OF S/C	
659 ISBISTER ST	20 COPPER	20	92.99>NNL DUNDURAND	1.66 N OF S/C
660 ISBISTER ST	20 COPPER	20	110.05>NNL DUNDURAND	1.66 S OF S/C
664 ISBISTER ST	20 COPPER	20	114.01>NNL DUNDURAND	1.67 N OF S/C
665 ISBISTER ST	20 COPPER	20	130.18>NNL DUNDURAND	2.37 N OF S/C
668 ISBISTER ST	20 COPPER	20	131.05>NNL DUNDURAND	2.2 N OF S/C
672 ISBISTER ST	20 COPPER	20	141.24>NNL DUNDURAND	

WATER SERVICE INFORMATION

ADDRESS	SIZE(mm) & TYPE (STREET)	SIZE(mm) & TYPE (PROP)	SHORT & LONG MEASUREMENT	CORP. LOCATION
672 ISBISTER ST	20 COPPER	20	161.53>NNL DUNDURAND	2.06 N OF S/C
673 ISBISTER ST	20 COPPER	20	164.20>NNL DUNDURAND	1.03 N OF S/C
676 ISBISTER ST	20 COPPER	20	175.27>NNL DUNDURAND	1.98 N OF S/C
680 ISBISTER ST	20 COPPER	20		
682 ISBISTER ST	20 COPPER	20	3.19 SSL LIVINIA	OPP S/C
685 ISBISTER ST	20 COPPER	20	8.46 SSL LIVINIA	0.71 S OF S/C
690 ISBISTER ST	20 COPPER	20	1.81>NNL LIVINIA	0.1 N OF S/C
693 ISBISTER ST	20 COPPER	20	12.07>NNL LIVINIA	2.9 N OF S/C

CAUTION:  
GAS & SL ON E  
SIDE OF ISBISTER  
STREET

**WARNING**  
IF POWER EQUIPMENT OR EXPLOSIVES ARE TO BE USED FOR EXCAVATION ON THIS PROJECT THE CONTRACTOR MUST:  
1) NOTIFY THE GAS COMPANY OF THE PROPOSED LOCATION OF EXCAVATION.  
2) TAKE PRECAUTION TO AVOID DAMAGE TO GAS COMPANY INSTALLATIONS.  
SEE PROVINCIAL REGULATION 210/72 FOR DETAILS

200 WM	WATERMAIN	200 WM	SL, HYDRO	150 WM	WATERMAIN	150 WM	LOCATION APPROVED UNDERGROUND STRUCTURES
⊕	HYDRANT	⊕	MTS	⊕	HYDRANT	⊕	
⊙	VALVE	⊙	TRAFFIC SIGNALS	⊙	VALVE	⊙	
⊖	525 LDS LAND DRAINAGE SEWER	⊖	GAS	⊖	50 GAS	⊖	
⊖	375 WWS WASTEWATER SEWER	⊖	SURVEY BAR	⊖	300 LDS LAND DRAINAGE SEWER	⊖	
○	MANHOLE	○	FENCE	○	250 WWS WASTEWATER SEWER	○	
□	CATCH BASIN	□	POLE - HYDRO, MTS	□	⊕ PROFILE	□	
▽	CURB INLET	▽	CURB STOP	▽	GROUND ABOVE PIPE	▽	
⊕	JUNCTIONS	⊕	GUY ANCHOR	⊕		⊕	
⊖	CULVERT	⊖	LIGHT STANDARD	⊖		⊖	
⊖	ANODE	⊖	TREE	⊖		⊖	
---	EXISTING	---	LEGEND-PLAN	---	EXISTING	---	LEGEND-PROFILE
---	PROPOSED	---	PROPOSED	---	EXISTING	---	PROPOSED

B.M. ELEV.	FIELD BOOK #:	<b>CITY OF WINNIPEG WATER AND WASTE ENGINEERING DIVISION</b>		ENGINEER'S SEAL
POSTED TO LIS		DESIGNED BY: NC	CHECKED BY: TW	ORIGINAL SIGNED BY K.R. ZUREK 07/10/22
		DRAWN BY: CJH	APPROVED BY: KZ	
		HOR. SCALE: 1:250	RELEASED FOR CONSTRUCTION	BID OPPORTUNITY: 767-2007 FILENAME: 06451.dwg PLOT DATE: 2007 10 19
		VERTICAL: 1:50		
NO. REVISIONS	DATE	BY	DATE	2007 10 19

**THE CITY OF WINNIPEG**  
WATER AND WASTE DEPARTMENT

2007 SEWER RENEWALS  
CONTRACT 34  
**ISBISTER STREET**  
75 N OF DURAND AVENUE TO  
MH AT LIVINIA AVENUE

SHEET 4 OF 10  
CITY DRAWING NUMBER  
**06451**