

WATER SERVICE INFORMATION				
ADDRESS	SIZE(mm) & TYPE (STREET)	SIZE(mm) & TYPE (PROP)	SHORT & LONG MEASUREMENT	CORP. LOCATION
14 NORMANDY DR RESIDENTIAL	20 COPPER	20 COPPER	7.23 NSL HSE	0.8 N OF S/C
18 NORMANDY DR RESIDENTIAL	20 COPPER	20 COPPER	13.30>NNL GIBRALTER	14.3 S OF S/C
22 NORMANDY DR RESIDENTIAL	20 COPPER	20 COPPER	8.91 NSL HSE	1.8 S OF S/C
25 NORMANDY DR RESIDENTIAL	20 COPPER	20 COPPER	0.30 SSL GIBRALTER	4.7 S OF S/C
30 NORMANDY DR RESIDENTIAL	20 COPPER	20 COPPER	6.83 NSL HSE	OPP S/C
34 NORMANDY DR RESIDENTIAL	20 COPPER	20 COPPER	20.30 SSL GIBRALTER	0.21 N OF S/C
38 NORMANDY DR RESIDENTIAL	20 COPPER	20 COPPER	7.76 NSL HSE	1.5 N OF S/C
42 NORMANDY DR RESIDENTIAL	20 COPPER	20 COPPER	22.21 SSL GIBRALTER	0.21 N OF S/C
45 NORMANDY DR RESIDENTIAL	20 COPPER	20 COPPER	3.99 NSL HSE	1.5 N OF S/C
48 NORMANDY DR RESIDENTIAL	20 COPPER	20 COPPER	22.89>NNL HOLLINGSWORTH	0.6 N OF S/C
50 NORMANDY DR RESIDENTIAL	20 COPPER	20 COPPER	0.82 NSL HSE	2.8 N OF S/C
54 NORMANDY DR RESIDENTIAL	20 COPPER	20 COPPER	6.38>NNL HOLLINGSWORTH	14.6 S OF S/C
58 NORMANDY DR RESIDENTIAL	20 COPPER	20 COPPER	4.28 NSL HSE	0.6 N OF S/C
62 NORMANDY DR RESIDENTIAL	20 COPPER	20 COPPER	6.71 NSL HOLLINGSWORTH	1.0 N OF S/C
63 NORMANDY DR RESIDENTIAL	20 COPPER	20 COPPER	1.48 NSL HSE	0.6 N OF S/C
65 NORMANDY DR RESIDENTIAL	20 COPPER	20 COPPER	9.76 SSL HOLLINGSWORTH	1.0 N OF S/C
68 NORMANDY DR RESIDENTIAL	20 COPPER	20 COPPER	6.07 NSL HSE	2.0 S OF S/C
69 NORMANDY DR RESIDENTIAL	20 COPPER	20 COPPER	9.77 SSL HOLLINGSWORTH	OPP S/C
70 NORMANDY DR RESIDENTIAL	20 COPPER	20 COPPER	0.42 NSL HSE	2.5 S OF S/C
71 NORMANDY DR RESIDENTIAL	20 COPPER	20 COPPER	25.96 SSL HOLLINGSWORTH	1.0 N OF S/C
74 NORMANDY DR RESIDENTIAL	20 COPPER	20 COPPER	4.35 NSL HSE	2.5 S OF S/C
75 NORMANDY DR RESIDENTIAL	20 COPPER	20 COPPER	27.43 SSL HOLLINGSWORTH	1.0 N OF S/C
76 NORMANDY DR RESIDENTIAL	20 COPPER	20 COPPER	3.59 NSL HSE	4.4 S OF S/C
77 NORMANDY DR RESIDENTIAL	20 COPPER	20 COPPER	45.25 SSL HOLLINGSWORTH	1.0 N OF S/C
78 NORMANDY DR RESIDENTIAL	20 COPPER	20 COPPER	3.98 NSL HSE	1.0 N OF S/C
79 NORMANDY DR RESIDENTIAL	20 COPPER	20 COPPER	47.53 SSL HOLLINGSWORTH	4.4 S OF S/C
80 NORMANDY DR RESIDENTIAL	20 COPPER	20 COPPER	2.05 NSL HSE	1.0 S OF S/C
81 NORMANDY DR RESIDENTIAL	20 COPPER	20 COPPER	60.16 SSL HOLLINGSWORTH	1.0 S OF S/C
82 NORMANDY DR RESIDENTIAL	20 COPPER	20 COPPER	5.43 NSL HSE	1.0 S OF S/C
83 NORMANDY DR RESIDENTIAL	20 COPPER	20 COPPER	4.28 NSL HSE	1.4 N OF S/C
84 NORMANDY DR RESIDENTIAL	20 COPPER	20 COPPER	5.43 NSL HSE	1.2 N OF S/C
85 NORMANDY DR RESIDENTIAL	20 COPPER	20 COPPER	79.21 SSL HOLLINGSWORTH	21.3 E OF S/C
86 NORMANDY DR RESIDENTIAL	20 COPPER	20 COPPER	4.67 NSL HSE	16.2 E OF S/C
87 NORMANDY DR RESIDENTIAL	20 COPPER	20 COPPER	99.16 SSL HOLLINGSWORTH	8.3 E OF S/C
88 NORMANDY DR RESIDENTIAL	20 COPPER	20 COPPER	2.51 NSL HSE	2.9 W OF S/C
89 NORMANDY DR RESIDENTIAL	20 COPPER	20 COPPER	111.28 SSL HOLLINGSWORTH	0.1 W OF S/C
90 NORMANDY DR RESIDENTIAL	20 COPPER	20 COPPER	3.02 WEL HSE	0.5 W OF S/C
91 NORMANDY DR RESIDENTIAL	20 COPPER	20 COPPER	116.72 SSL HOLLINGSWORTH	1.0 N OF S/C
92 NORMANDY DR RESIDENTIAL	20 COPPER	20 COPPER	2.09 EWL HSE	3.0 E OF S/C
93 NORMANDY DR RESIDENTIAL	20 COPPER	20 COPPER	116.42 SSL HOLLINGSWORTH	5.6 W OF S/C
94 NORMANDY DR RESIDENTIAL	20 COPPER	20 COPPER	4.67 EWL HSE	10.4 W OF S/C
95 NORMANDY DR RESIDENTIAL	20 COPPER	20 COPPER	46.18 WEL NORMANDY (E LEG)	4.2 N OF S/C
96 NORMANDY DR RESIDENTIAL	20 COPPER	20 COPPER	4.96 WEL HSE	3.0 N OF S/C
97 NORMANDY DR RESIDENTIAL	20 COPPER	20 COPPER	26.86 WEL NORMANDY (E LEG)	0.2 N OF S/C
98 NORMANDY DR RESIDENTIAL	20 COPPER	20 COPPER	7.35 NSL HSE	0.1 N OF S/C
99 NORMANDY DR RESIDENTIAL	20 COPPER	20 COPPER	5.57>NNL NORMANDY (S LEG)	0.8 N OF S/C
100 NORMANDY DR RESIDENTIAL	20 COPPER	20 COPPER	5.54 EWL HSE	0.3 S OF S/C
101 NORMANDY DR RESIDENTIAL	20 COPPER	20 COPPER	12.88 WEL NORMANDY (E LEG)	0.8 N OF S/C
102 NORMANDY DR RESIDENTIAL	20 COPPER	20 COPPER	3.55 WEL HSE	0.3 S OF S/C
103 NORMANDY DR RESIDENTIAL	20 COPPER	20 COPPER	6.23 EWL NORMANDY (E LEG)	0.8 N OF S/C
104 NORMANDY DR RESIDENTIAL	20 COPPER	20 COPPER	4.11 NSL HSE	0.5 N OF S/C
105 NORMANDY DR RESIDENTIAL	20 COPPER	20 COPPER	1.63 NSL NORMANDY (S LEG)	0.5 N OF S/C
106 NORMANDY DR RESIDENTIAL	20 COPPER	20 COPPER	116.72 SSL HOLLINGSWORTH	0.2 N OF S/C
107 NORMANDY DR RESIDENTIAL	20 COPPER	20 COPPER	61.48 SSL HOLLINGSWORTH	0.8 N OF S/C
108 NORMANDY DR RESIDENTIAL	20 COPPER	20 COPPER	9.35 NSL HSE	0.8 N OF S/C
109 NORMANDY DR RESIDENTIAL	20 COPPER	20 COPPER	58.29 SSL HOLLINGSWORTH	0.2 N OF S/C
110 NORMANDY DR RESIDENTIAL	20 COPPER	20 COPPER	5.18 NSL HSE	0.1 N OF S/C
111 NORMANDY DR RESIDENTIAL	20 COPPER	20 COPPER	43.77 SSL HOLLINGSWORTH	0.2 N OF S/C
112 NORMANDY DR RESIDENTIAL	20 COPPER	20 COPPER	5.95 NSL HSE	0.1 N OF S/C
113 NORMANDY DR RESIDENTIAL	20 COPPER	20 COPPER	43.88 SSL HOLLINGSWORTH	0.1 N OF S/C
114 NORMANDY DR RESIDENTIAL	20 COPPER	20 COPPER	6.95 NSL HSE	0.1 N OF S/C
115 NORMANDY DR RESIDENTIAL	20 COPPER	20 COPPER	24.86 SSL HOLLINGSWORTH	0.8 N OF S/C
116 NORMANDY DR RESIDENTIAL	20 COPPER	20 COPPER	6.68 NSL HSE	0.3 S OF S/C
117 NORMANDY DR RESIDENTIAL	20 COPPER	20 COPPER	47.43 SSL HOLLINGSWORTH	0.3 S OF S/C
118 NORMANDY DR RESIDENTIAL	20 COPPER	20 COPPER	4.99 NSL HSE	0.8 N OF S/C
119 NORMANDY DR RESIDENTIAL	20 COPPER	20 COPPER	11.18 SSL HOLLINGSWORTH	0.8 N OF S/C
120 NORMANDY DR RESIDENTIAL	20 COPPER	20 COPPER	2.52 NSL HSE	0.5 N OF S/C
121 NORMANDY DR RESIDENTIAL	20 COPPER	20 COPPER	10.97 SSL HOLLINGSWORTH	0.2 E OF S/C
122 NORMANDY DR RESIDENTIAL	20 COPPER	20 COPPER	5.03 NSL HSE	0.3 E OF S/C
123 NORMANDY DR RESIDENTIAL	20 COPPER	20 COPPER	9.19>NNL HOLLINGSWORTH	2.6 S OF S/C
124 NORMANDY DR RESIDENTIAL	20 COPPER	20 COPPER	4.71 WEL HSE	0.5 N OF S/C
125 NORMANDY DR RESIDENTIAL	20 COPPER	20 COPPER	10.07 EEL NORMANDY	0.5 N OF S/C
126 NORMANDY DR RESIDENTIAL	20 COPPER	20 COPPER	5.22 WEL HSE	0.5 N OF S/C
127 NORMANDY DR RESIDENTIAL	20 COPPER	20 COPPER	9.23 EEL NORMANDY	0.5 N OF S/C
128 NORMANDY DR RESIDENTIAL	20 COPPER	20 COPPER	0.99 SL HSE	0.4 S OF S/C
129 NORMANDY DR RESIDENTIAL	20 COPPER	20 COPPER	4.41 NSL GIBRALTER	1.3 S OF S/C
130 NORMANDY DR RESIDENTIAL	20 COPPER	20 COPPER	3.71 NSL HSE	0.2 N OF S/C
131 NORMANDY DR RESIDENTIAL	20 COPPER	20 COPPER	12.40 SSL GIBRALTER	0.8 N OF S/C
132 NORMANDY DR RESIDENTIAL	20 COPPER	20 COPPER	7.79 NSL HSE	0.5 N OF S/C
133 NORMANDY DR RESIDENTIAL	20 COPPER	20 COPPER	11.46 SSL GIBRALTER	0.5 N OF S/C
134 NORMANDY DR RESIDENTIAL	20 COPPER	20 COPPER	7.0 NSL HSE	0.5 N OF S/C
135 NORMANDY DR RESIDENTIAL	20 COPPER	20 COPPER	28.28 SSL GIBRALTER	0.4 S OF S/C
136 NORMANDY DR RESIDENTIAL	20 COPPER	20 COPPER	3.55 NSL HSE	1.3 S OF S/C
137 NORMANDY DR RESIDENTIAL	20 COPPER	20 COPPER	25.85 SSL GIBRALTER	0.2 N OF S/C
138 NORMANDY DR RESIDENTIAL	20 COPPER	20 COPPER	6.21 NSL HSE	0.2 N OF S/C
139 NORMANDY DR RESIDENTIAL	20 COPPER	20 COPPER	44.45 SSL GIBRALTER	0.8 N OF S/C
140 NORMANDY DR RESIDENTIAL	20 COPPER	20 COPPER	3.83 NSL HSE	0.5 N OF S/C
141 NORMANDY DR RESIDENTIAL	20 COPPER	20 COPPER	45.64 SSL GIBRALTER	0.5 N OF S/C
142 NORMANDY DR RESIDENTIAL	20 COPPER	20 COPPER	2.18 NSL HSE	0.5 N OF S/C
143 NORMANDY DR RESIDENTIAL	20 COPPER	20 COPPER	36.62>NNL NORMANDY	5.8 S OF S/C
144 NORMANDY DR RESIDENTIAL	20 COPPER	20 COPPER	6.41 NSL HSE	1.3 N OF S/C
145 NORMANDY DR RESIDENTIAL	20 COPPER	20 COPPER	39.72>NNL NORMANDY	1.3 N OF S/C
146 NORMANDY DR RESIDENTIAL	20 COPPER	20 COPPER	3.28 NSL HSE	9.2 E OF S/C
147 NORMANDY DR RESIDENTIAL	20 COPPER	20 COPPER	23.77>NNL NORMANDY	
148 NORMANDY DR RESIDENTIAL	20 COPPER	20 COPPER	5.43 NSL HSE	
149 NORMANDY DR RESIDENTIAL	20 COPPER	20 COPPER	9.73 SSL GIBRALTER	
150 NORMANDY DR RESIDENTIAL	20 COPPER	20 COPPER	6.39 EWL HSE	
151 NORMANDY DR RESIDENTIAL	20 COPPER	20 COPPER	7.79 EEL NORMANDY	

FOR SEWER SERVICE TABLE:
SEE DRAWING 06453

FOR CONSTRUCTION NOTES:
SEE DRAWING 06455

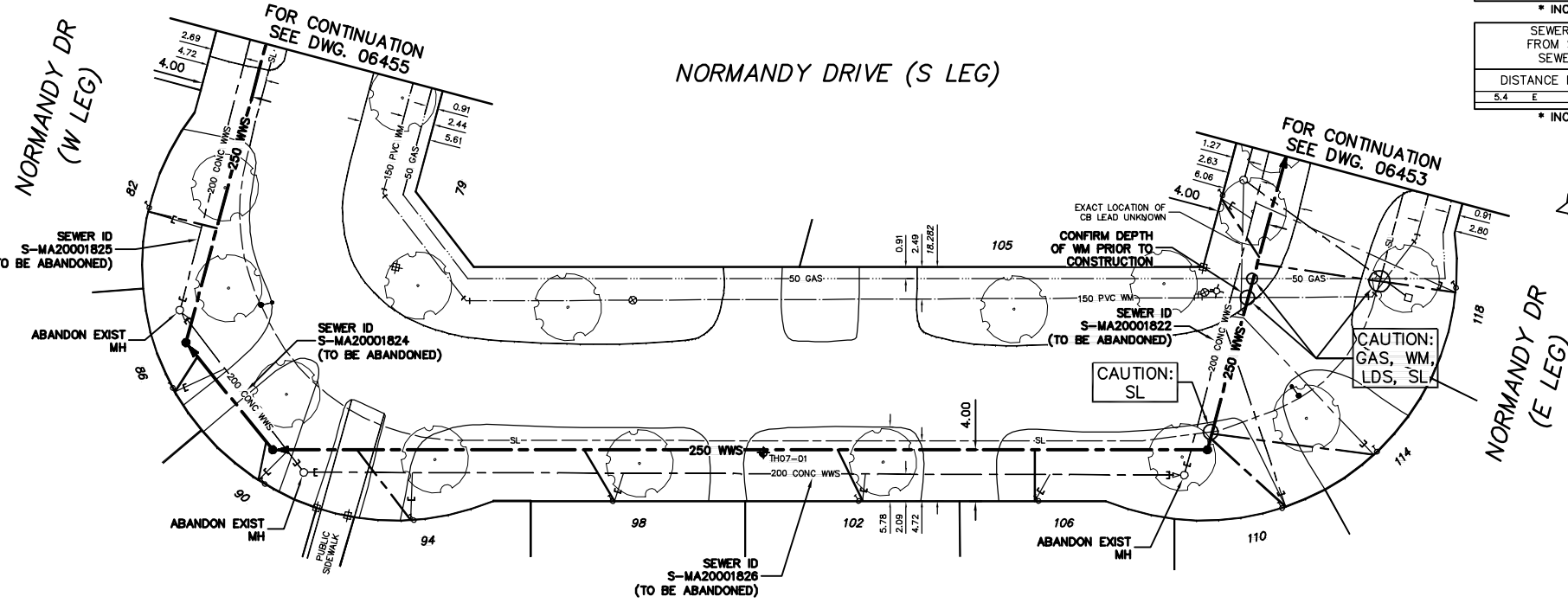
NOTE: CHAINAGES SHOWN ARE ALONG
S. R. OF NORMUNDY DR (S LEG)

SEWER JUNCTION INFORMATION FROM SEWER VIDEO INSPECTION SEWER ID S-MA20001824		
DISTANCE FROM MH ID S-MH20001654		
2.5	W	100# SOUTH CX

SEWER JUNCTION INFORMATION FROM SEWER VIDEO INSPECTION SEWER ID S-MA20001824		
DISTANCE FROM MH ID S-MH20001659		
5.4	E	100# SOUTH CX

SEWER JUNCTION INFORMATION FROM SEWER VIDEO INSPECTION SEWER ID S-MA20001822		
DISTANCE FROM MH ID S-MH20001665		
11.9	N	150# EAST CX
12.6	N	100# EAST CN
20.4	N	100# WEST CX
21.7	N	100# EAST CX

SEWER JUNCTION INFORMATION FROM SEWER VIDEO INSPECTION SEWER ID S-MA20001826		
DISTANCE FROM MH ID S-MH20001665		
11.0	W	150# SOUTH CX
25.4	W	150# SOUTH CN
44.3	W	150# SOUTH CX
60.8	W	150# SOUTH CX



WARNING
IF POWER EQUIPMENT OR EXPLOSIVES ARE TO BE USED FOR EXCAVATION ON THIS PROJECT THE CONTRACTOR MUST:
1) NOTIFY THE GAS COMPANY OF THE PROPOSED LOCATION OF EXCAVATION.
2) TAKE PRECAUTION TO AVOID DAMAGE TO GAS COMPANY INSTALLATIONS.
SEE PROVINCIAL REGULATION 210/72 FOR DETAILS

200 WM	WATERMAIN	200 WM	SL, HYDRO	150 WM	WATERMAIN	150 WM
⊕	HYDRANT	⊕	MTS	⊕	HYDRANT	⊕
⊕	VALVE	⊕	TRAFFIC SIGNALS	⊕	VALVE	⊕
525 LDS	LAND DRAINAGE SEWER	525 LDS	GAS	50 GAS	300 LDS	LAND DRAINAGE SEWER
375 WWS	WASTEWATER SEWER	375 WWS	SURVEY BAR	250 WWS	250 WWS	WASTEWATER SEWER
○	MANHOLE	○	FENCE	⊕	⊕	PROFILE
□	CATCH BASIN	□	POLE - HYDRO, MTS	⊕	⊕	GROUND ABOVE PIPE
▽	CURB INLET	▽	CURB STOP	⊕	⊕	
⊕	JUNCTIONS	⊕	GUY ANCHOR	⊕	⊕	
⊕	CULVERT	⊕	LIGHT STANDARD	⊕	⊕	
⊕	ANODE	⊕	TREE	⊕	⊕	
EXISTING	LEGEND-PLAN	PROPOSED	EXISTING	LEGEND-PLAN	PROPOSED	EXISTING
EXISTING	LEGEND-PROFILE	PROPOSED	EXISTING	LEGEND-PROFILE	PROPOSED	EXISTING

LOCATION APPROVED UNDERGROUND STRUCTURES		B.M. ELEV.	FIELD BOOK #:
SUPV. U/G STRUCTURES COMMITTEE <td>DATE <td></td> <td></td> </td>	DATE <td></td> <td></td>		
NO.	REVISIONS	DATE	BY

CITY OF WINNIPEG WATER AND WASTE ENGINEERING DIVISION			
DESIGNED BY	NC	CHECKED BY	TW
DRAWN BY	CJH	APPROVED BY	KZ
HOR. SCALE	1:250	RELEASED FOR CONSTRUCTION	
VERTICAL	1:50		
DATE	2007 10 19	DATE	

ENGINEER'S SEAL
ORIGINAL SIGNED
BY K.R. ZUREK
07/10/22

THE CITY OF WINNIPEG
WATER AND WASTE DEPARTMENT

2007 SEWER RENEWALS
CONTRACT 34

NORMANDY DRIVE (S LEG)
MH AT NORMUNDY DRIVE (E R W LEG) TO
2ND MH S OF HOLLINGSWORTH AVENUE

SHEET 7 of 10
CITY DRAWING NUMBER
06454