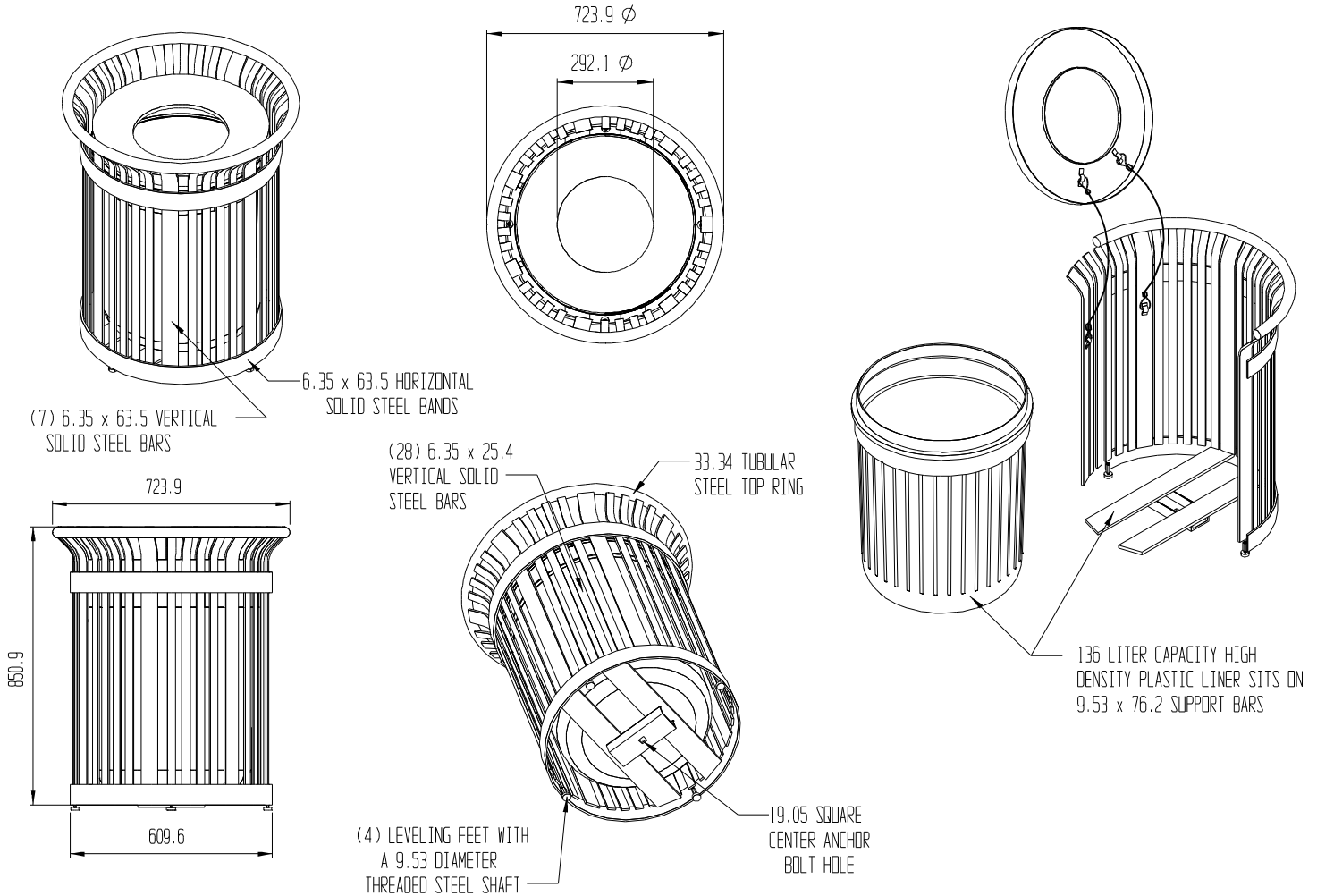




\* ALL DIMENSIONS ARE IN MILLIMETERS \*



AVAILABLE OPTIONS:

- POWDER COATING TO STANDARD COLORS, CUSTOM COLORS (INCLUDING THE RAL RANGE)
- CUSTOM PLAQUES & DECALS AVAILABLE WITH STEEL PLAQUES IN VARIOUS SIZES AND PRESSURE SENSITIVE VINYL OUTDOOR DECALS

SECURITY

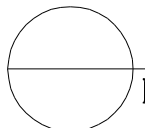
LID IS SECURED WITH VINYL COATED GALVANIZED STEEL AIRCRAFT CABLE. CABLE IS LOOPED AROUND ATTACHMENT BRACKETS AND CRIMPED IN PLACE.

LIDS

SHOWN WITH STANDARD TAPERED FORMED LID. AVAILABLE WITH OPTIONAL S-2A FORMED DOME, S-2A FORMED DOME WITH STAINLESS STEEL ASHTRAY, AND DS-32 FORMED DOME W/ SELF-CLOSING DOOR

NOTES:

1. DRAWING NOT TO SCALE. DO NOT SCALE DRAWINGS.
2. ALL FABRICATED METAL COMPONENTS ARE STEEL SHOTBLASTED, ETCHED, PHOSPHATIZED, PREHEATED, AND ELECTROSTATICALLY POWDER-COATED WITH T.G.I.C. POLYESTER POWDER COATINGS. PRODUCTS ARE FULLY CLEANED AND PRETREATED, PREHEATED AND COATED WHILE HOT TO FILL CREVICES AND BUILD COATING FILM. COATED PARTS ARE THEN FULLY CURED TO COATING MANUFACTURER'S SPECIFICATIONS. THE THICKNESS OF THE RESULTING FINISH COAT AVERAGES 8-10 MILS (200-250 MICRONS).
3. THIS VICTOR STANLEY, INC. PRODUCT MUST BE PERMANENTLY AFFIXED TO THE GROUND. CONSULT YOUR LOCAL CODES FOR REGULATIONS.
4. ANCHOR BOLTS PROVIDED BY OTHERS.
5. FOR HIGH SALT ABUSIVE CLIMATES, HOT DIP GALVANIZING BEFORE POWDER COATING IS AVAILABLE. SEE WRITTEN SPECIFICATIONS FOR DETAILS.
6. ALL SPECIFICATIONS ARE SUBJECT TO CHANGE. CONTACT MANUFACTURER FOR DETAILS.
7. THIS PRODUCT IS SHIPPED FULLY ASSEMBLED.



**ES-242**

**ECONOMY SERIES** 136 LITER LITTER RECEPTACLE  
 SHOWN: STANDARD TAPERED FORMED LID