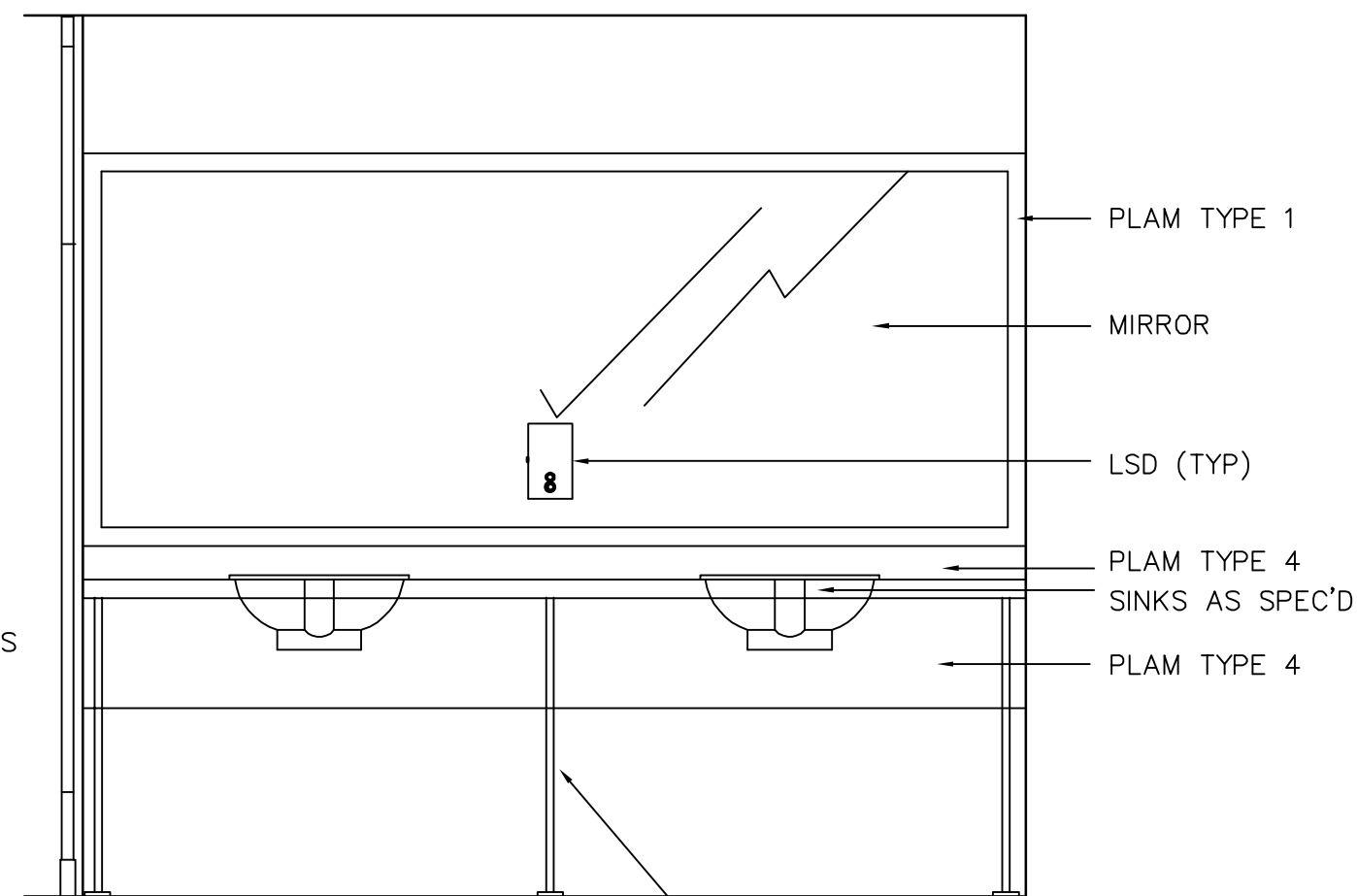
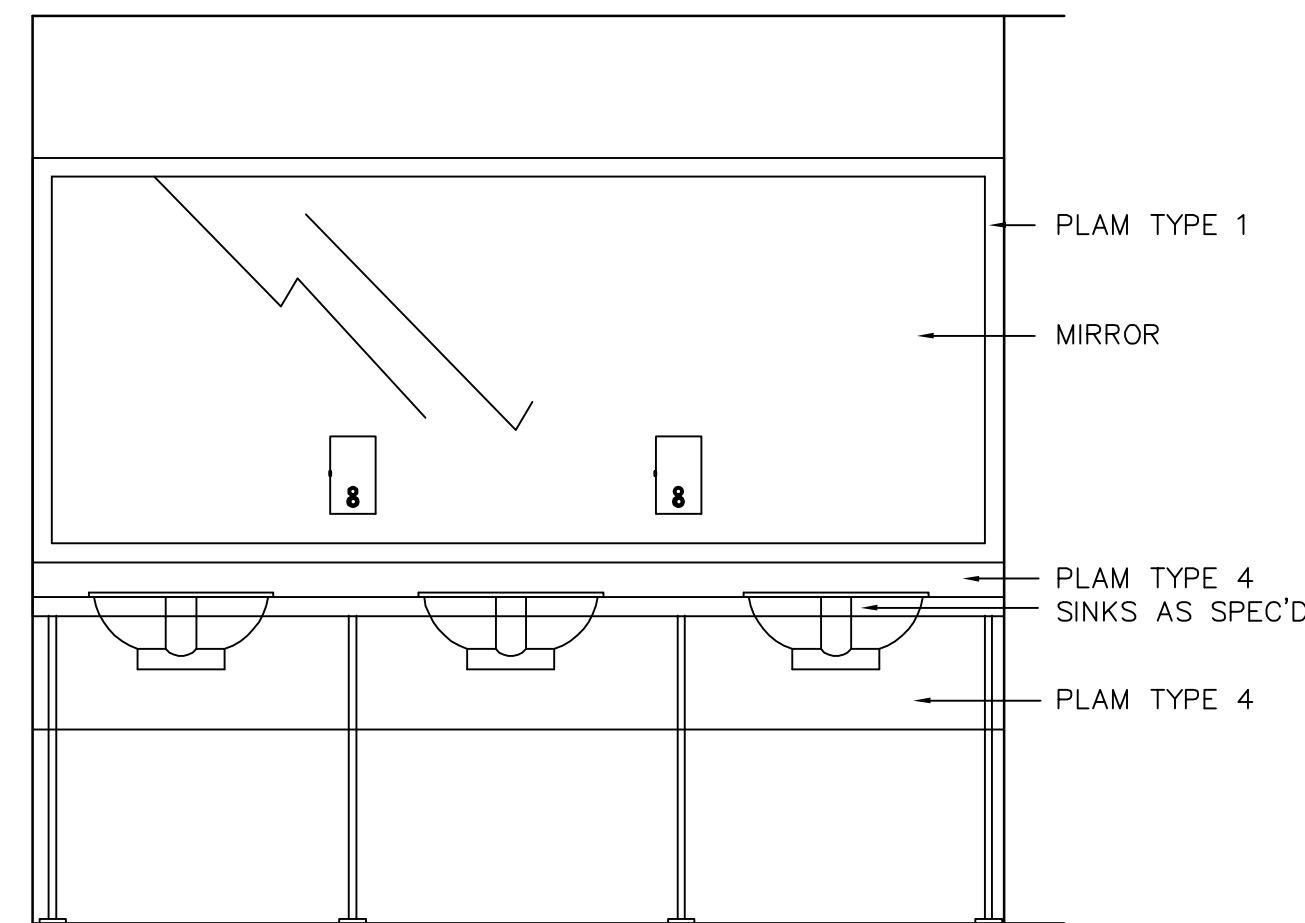


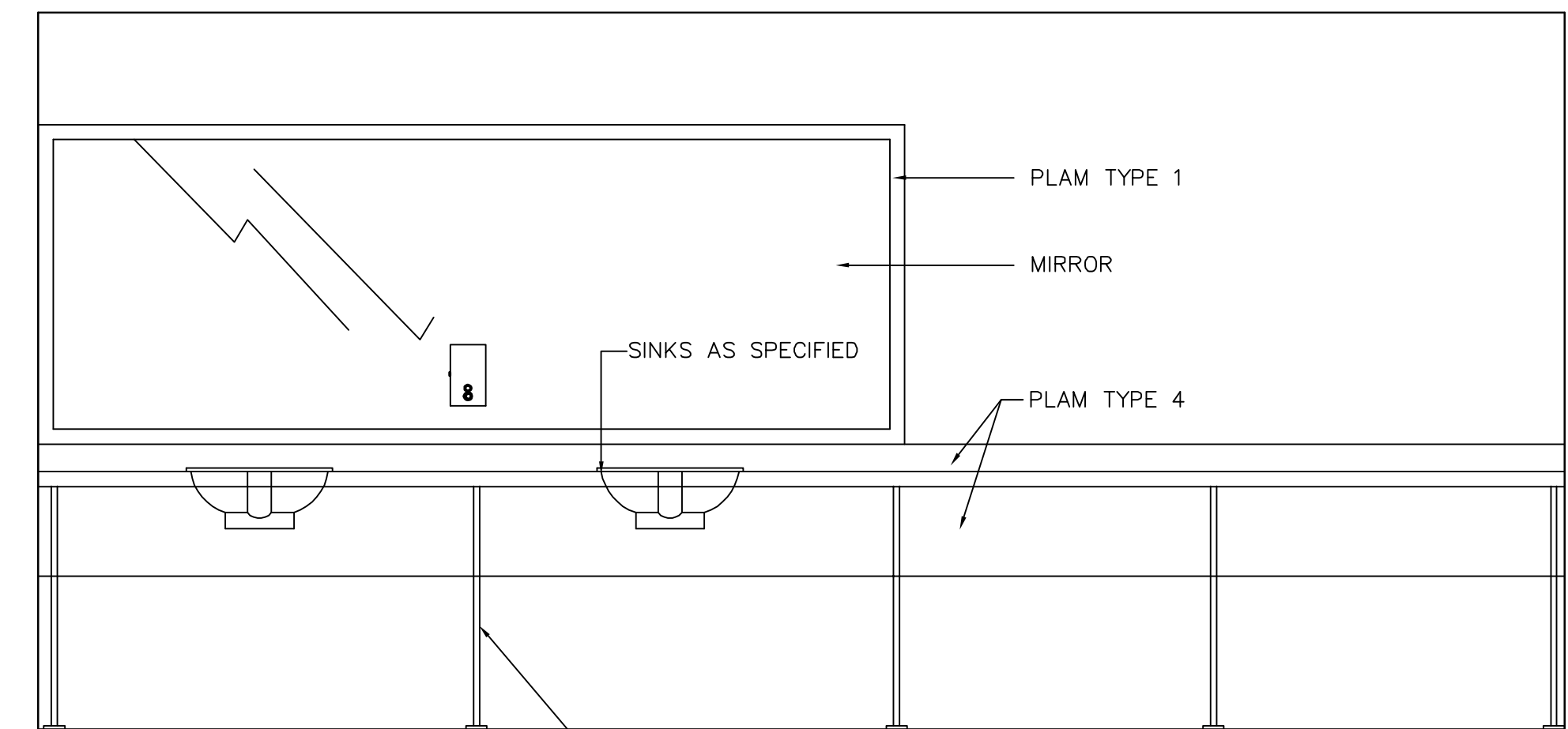
4 WOMEN'S CHANGE RM 329A
WB-B0354 1: 20



5 WOMEN'S ROOM 331
WB-B0354 1: 20

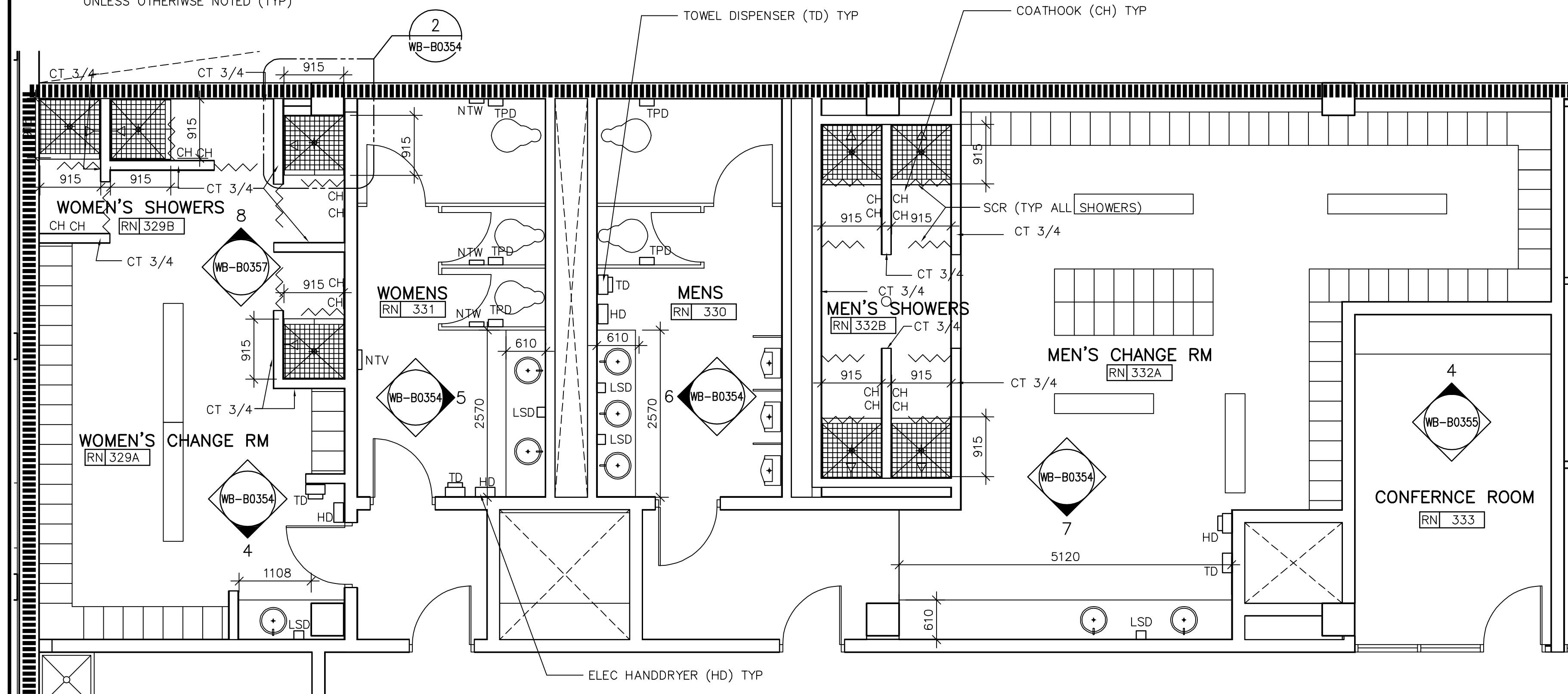


6 MEN'S ROOM 330
WB-B0354 1: 20



7 MEN'S CHANGE ROOM 332A
WB-B0354 1: 20

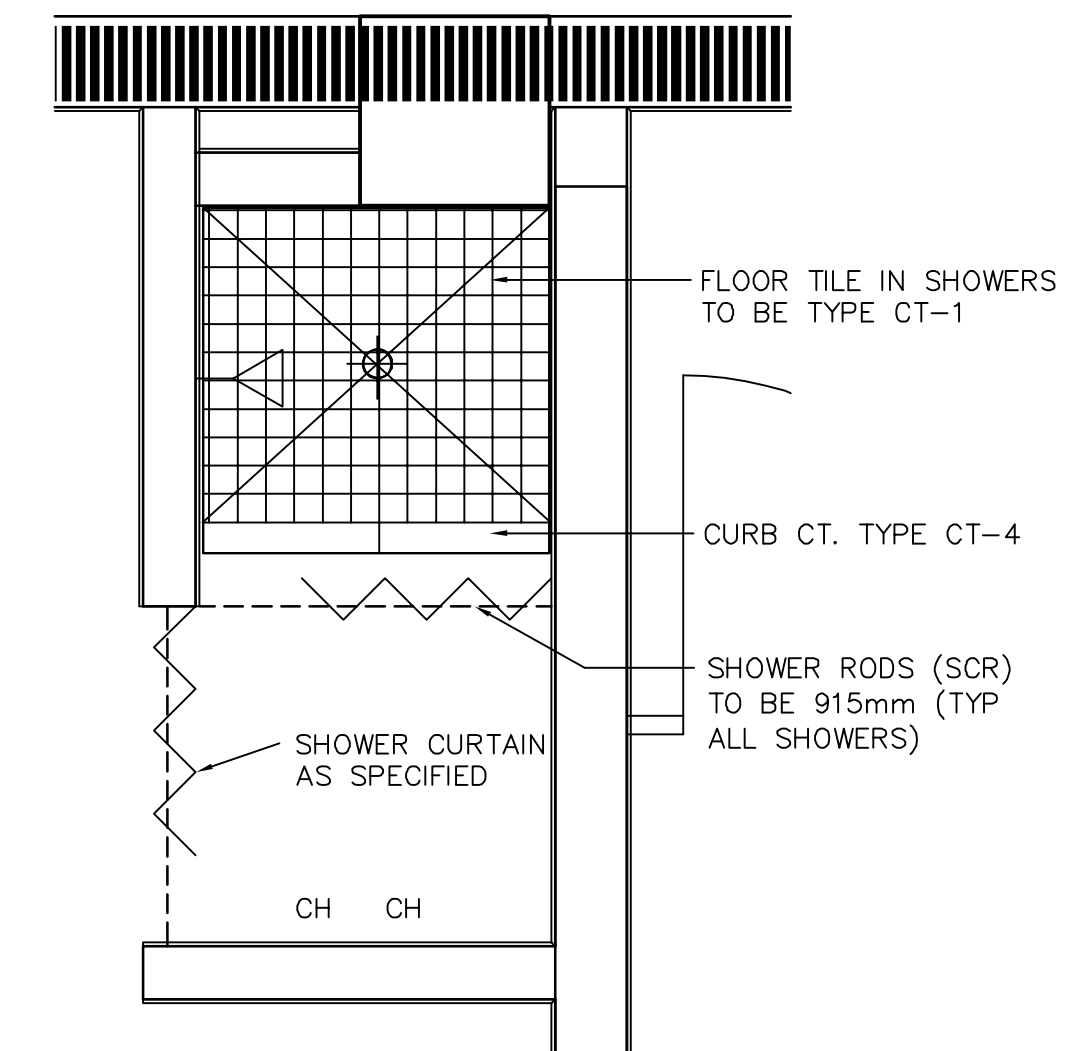
NOTE: ALL WASHROOMS TO COME COMPLETE WITH HD, LSD, & TPD UNLESS OTHERWISE NOTED (TYP)



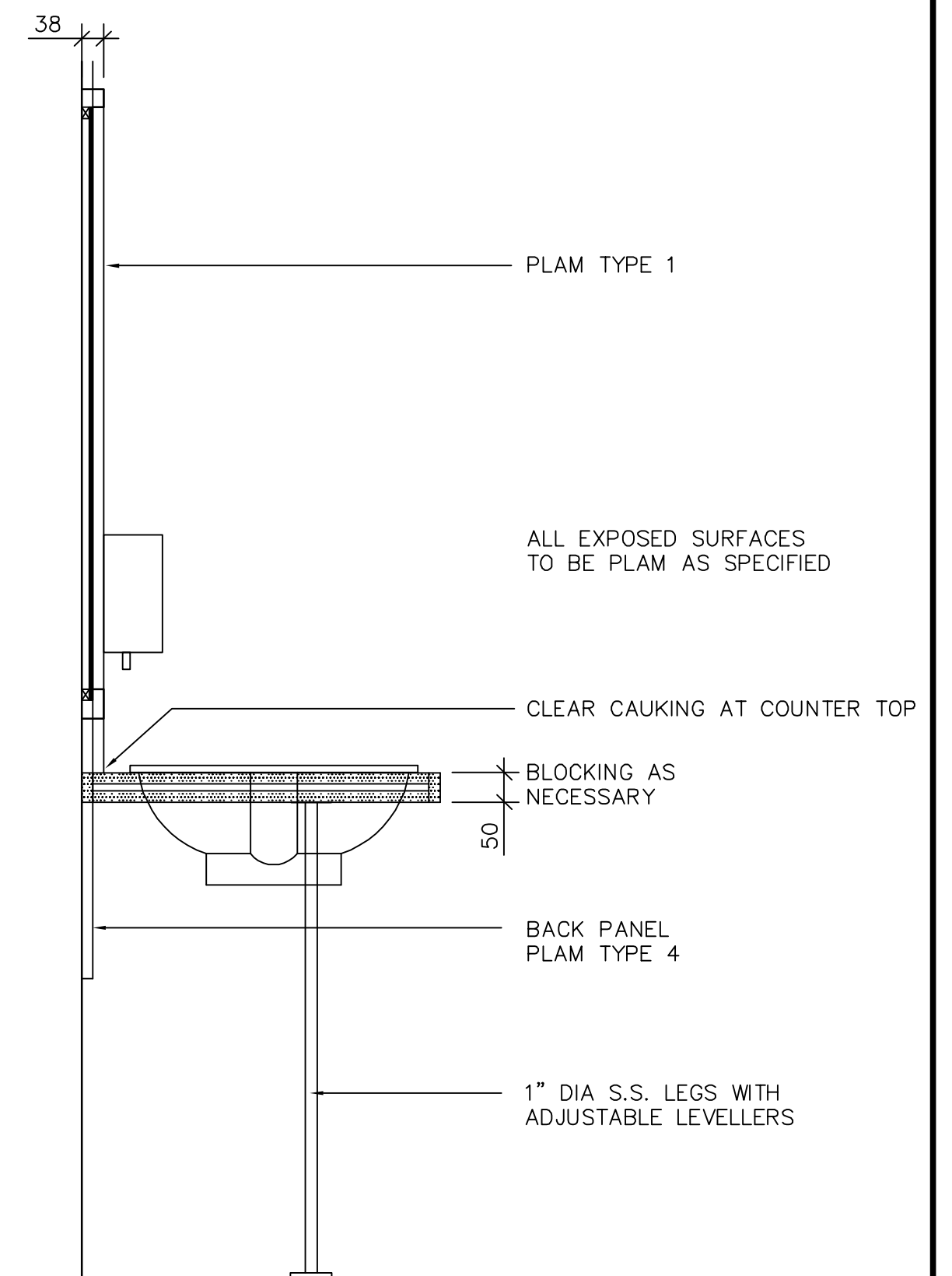
1 PARTIAL PLAN-MILLWORK (THIRD FLOOR LEVEL)
WB-B0139 1: 50

FIRE RATINGS:

1 HR FIRE RATING



2 TYP SHOWER PLAN (THIRD FLOOR LEVEL)
WB-B0354 1: 20



3 TYP BATH ROOM SECTION
WB-B0354 1: 10



INFORMATION ONLY			
NO.	REVISIONS	DATE	BY
02	95-2007 ISSUED FOR CONSTRUCTION	07/09/10	LK
01	95-2007 ADDENDUM 07	07/07/27	LK
00	ISSUED FOR TENDER	07/06/05	LK

DESIGNED BY		CHECKED BY	
MG	BJS		
DRAWN BY		APPROVED BY	
MG	AHL		
SCALE:		RELEASED FOR CONSTRUCTION BY:	
AS NOTED	R. SOROKOWSKI		

ENGINEER'S SEAL	
ORIGINAL SIGNED BY	NEIL COOPER
	2007/06/05
CONSULTANT DRAWING NO.	WB-B0354

THE CITY OF WINNIPEG
WATER AND WASTE DEPARTMENT
ENGINEERING DIVISION

WATER TREATMENT PLANT
MAIN BUILDING
OFFICE AND PLANT INTERIOR FINISHES

ARCHITECTURAL
MILLWORK PLANS, ELEVATIONS, AND SECTIONS

CITY FILE NUMBER
SHEET OF
CITY DRAWING NUMBER
1-0601B-A-B0354-001-02D