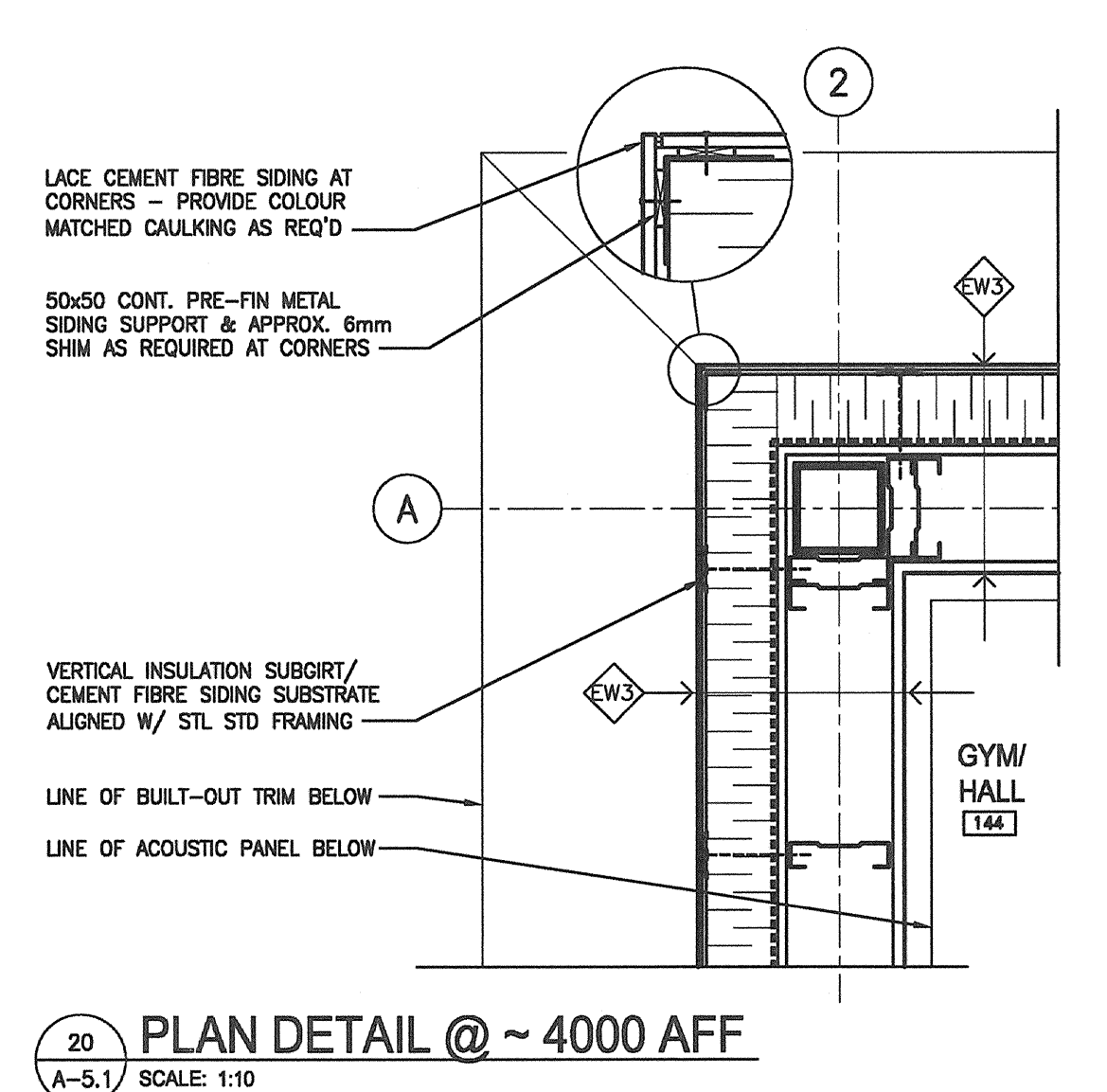
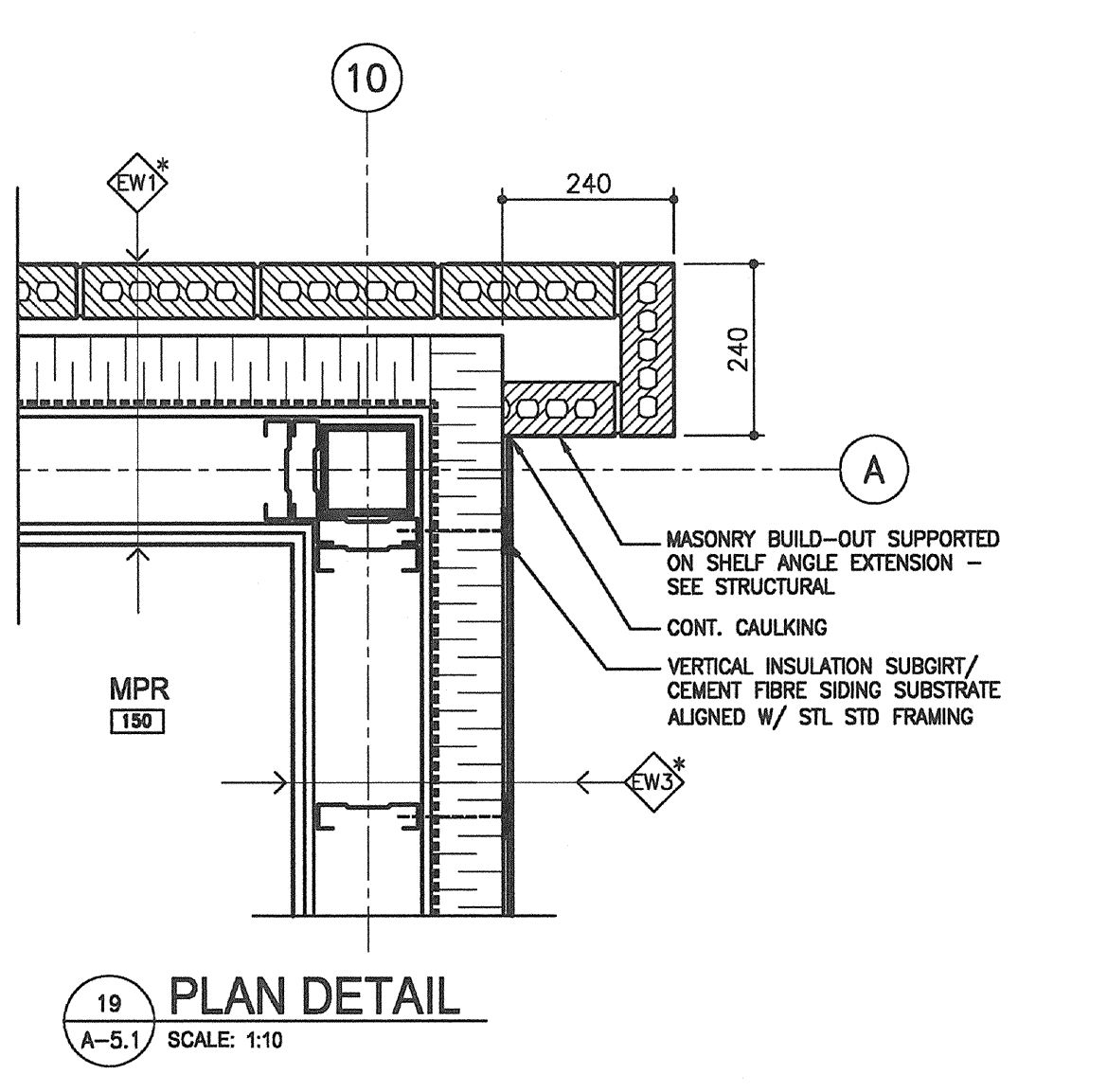
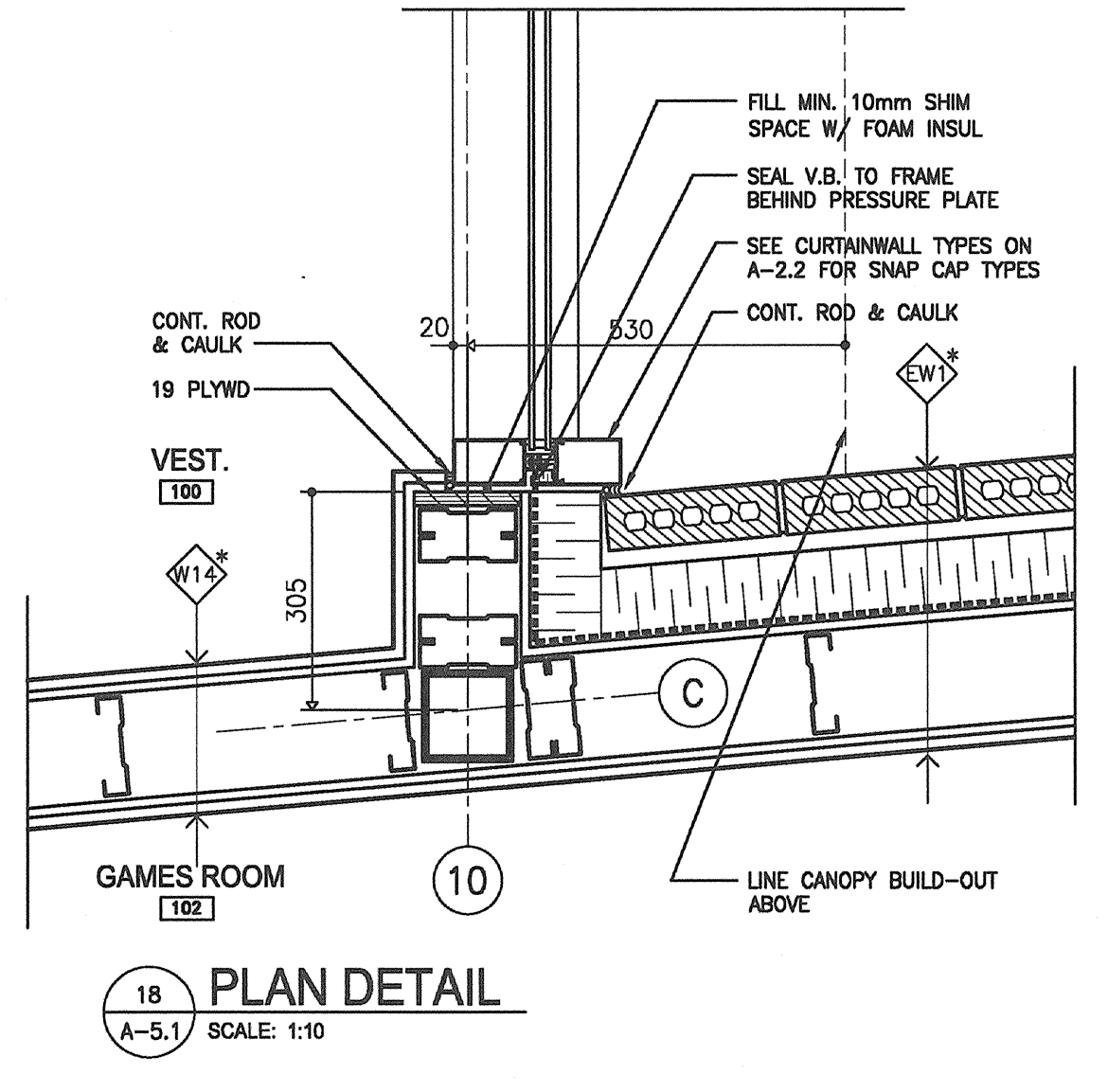
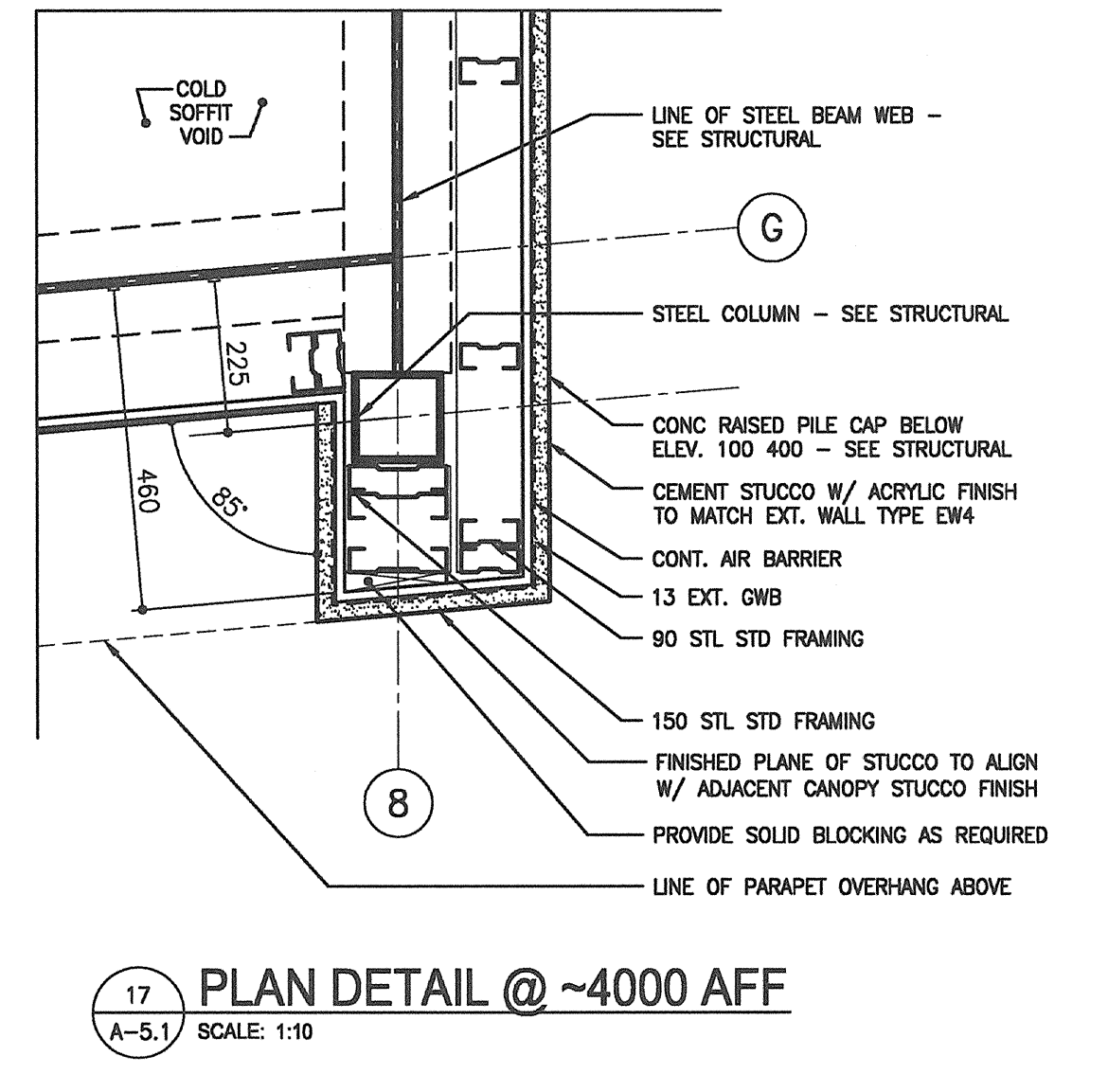
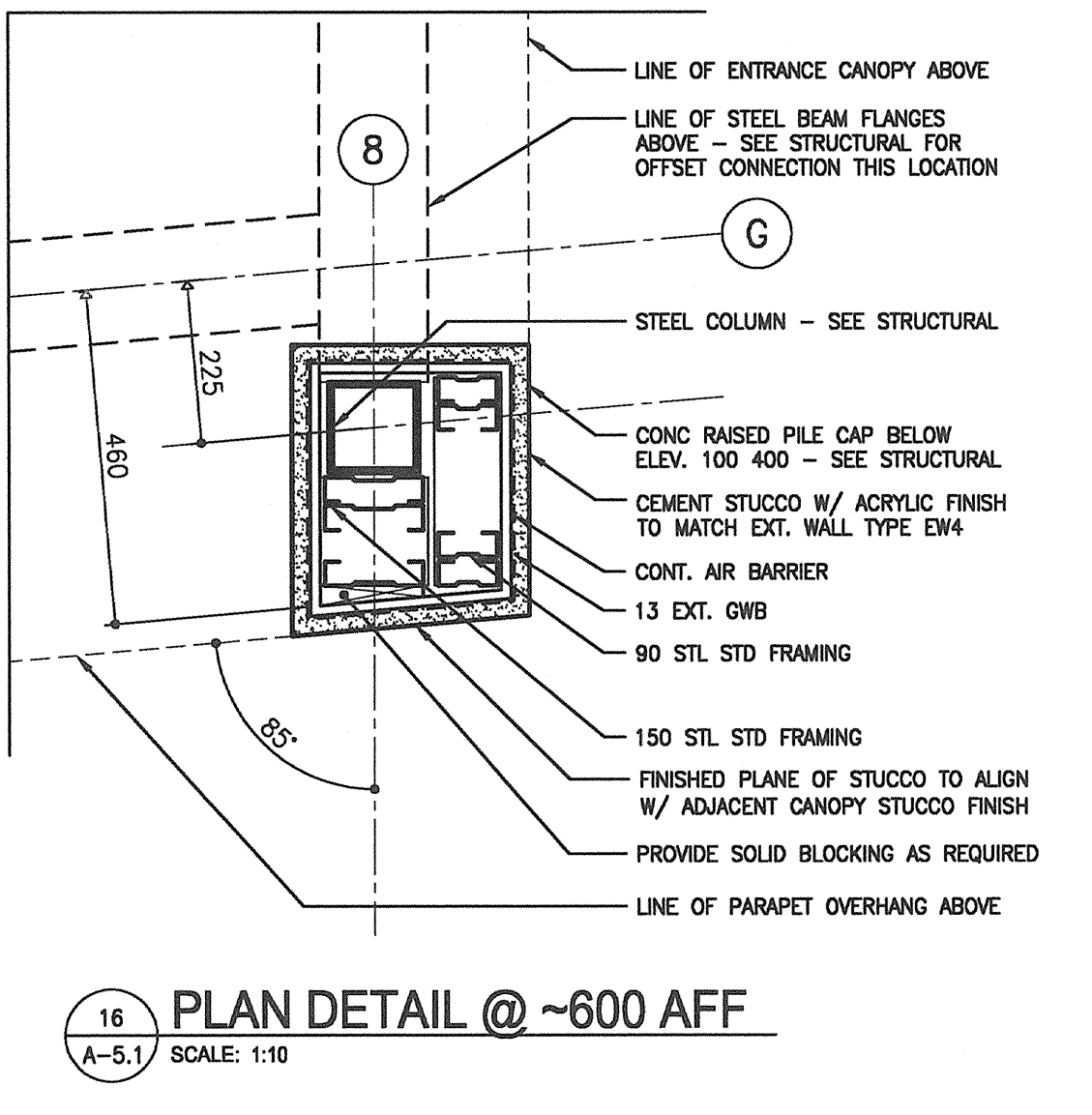
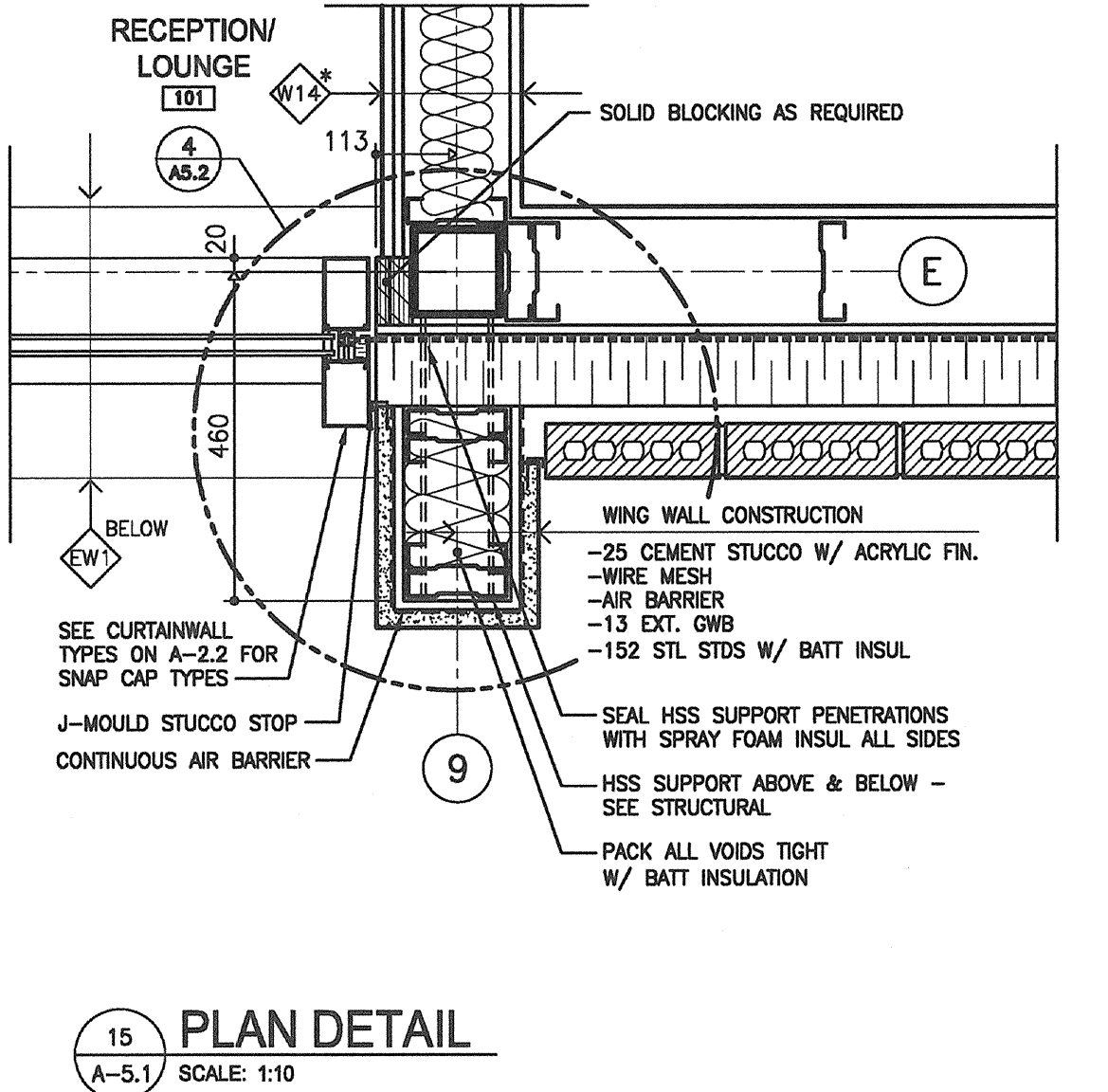
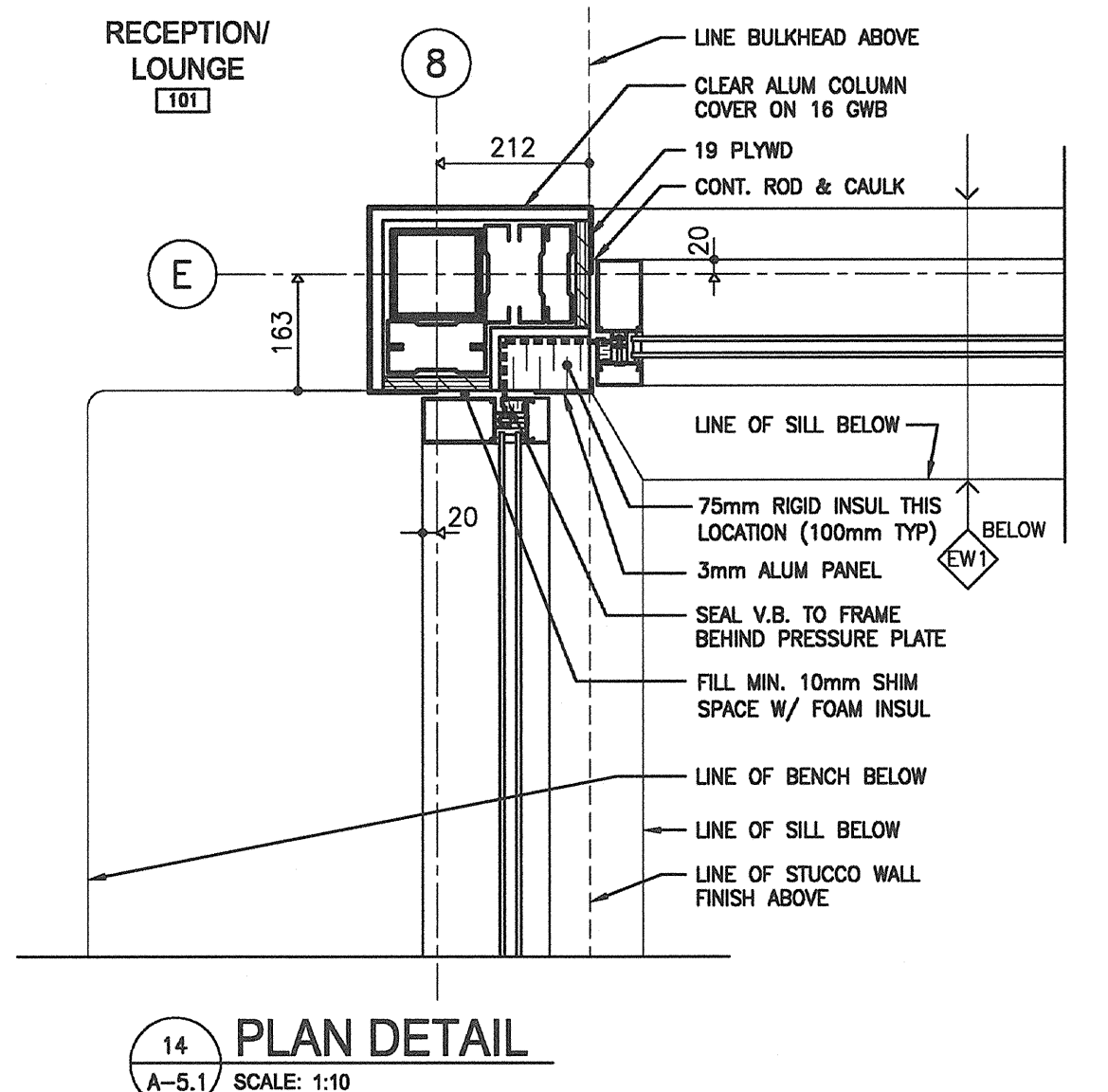
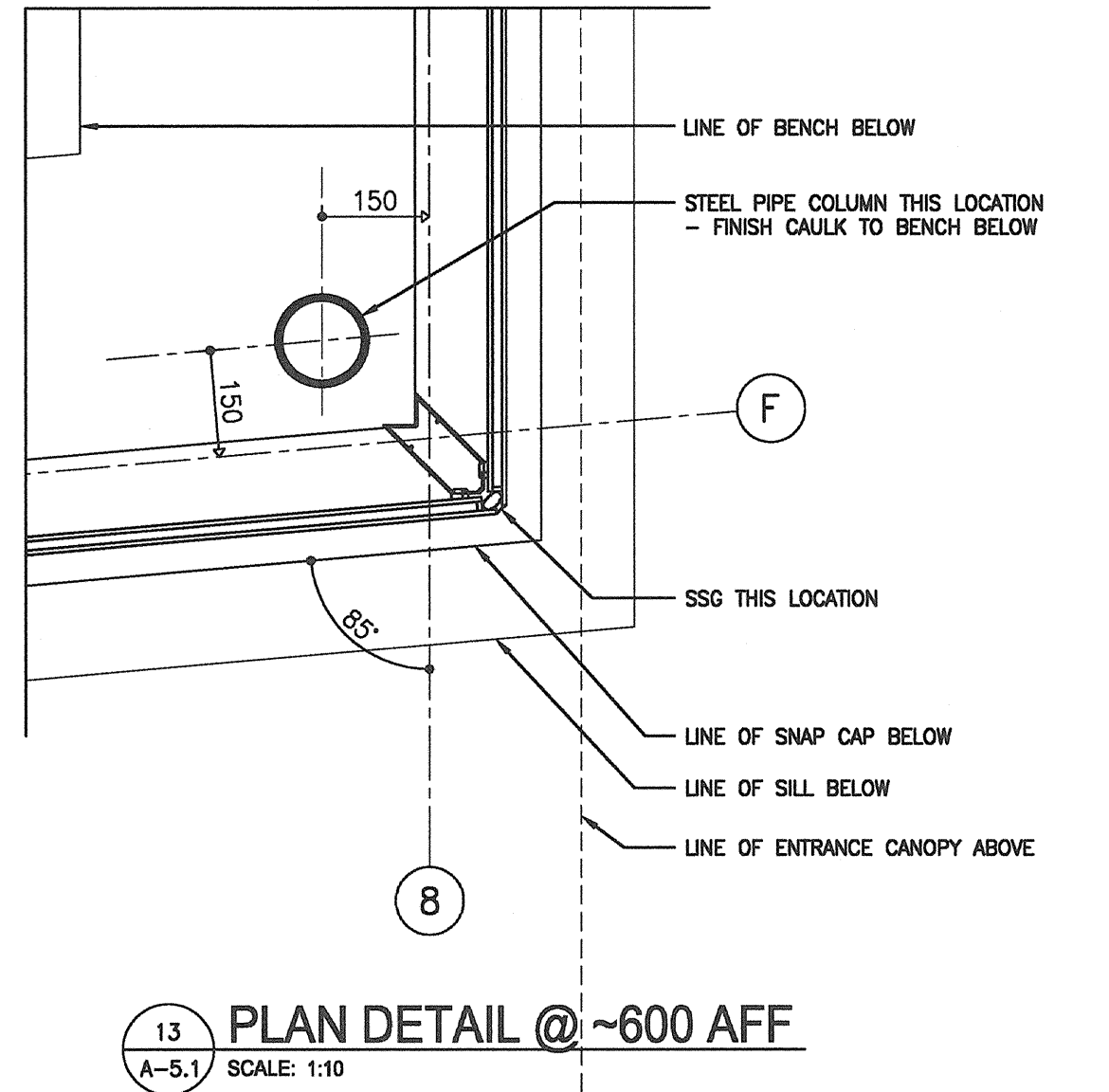
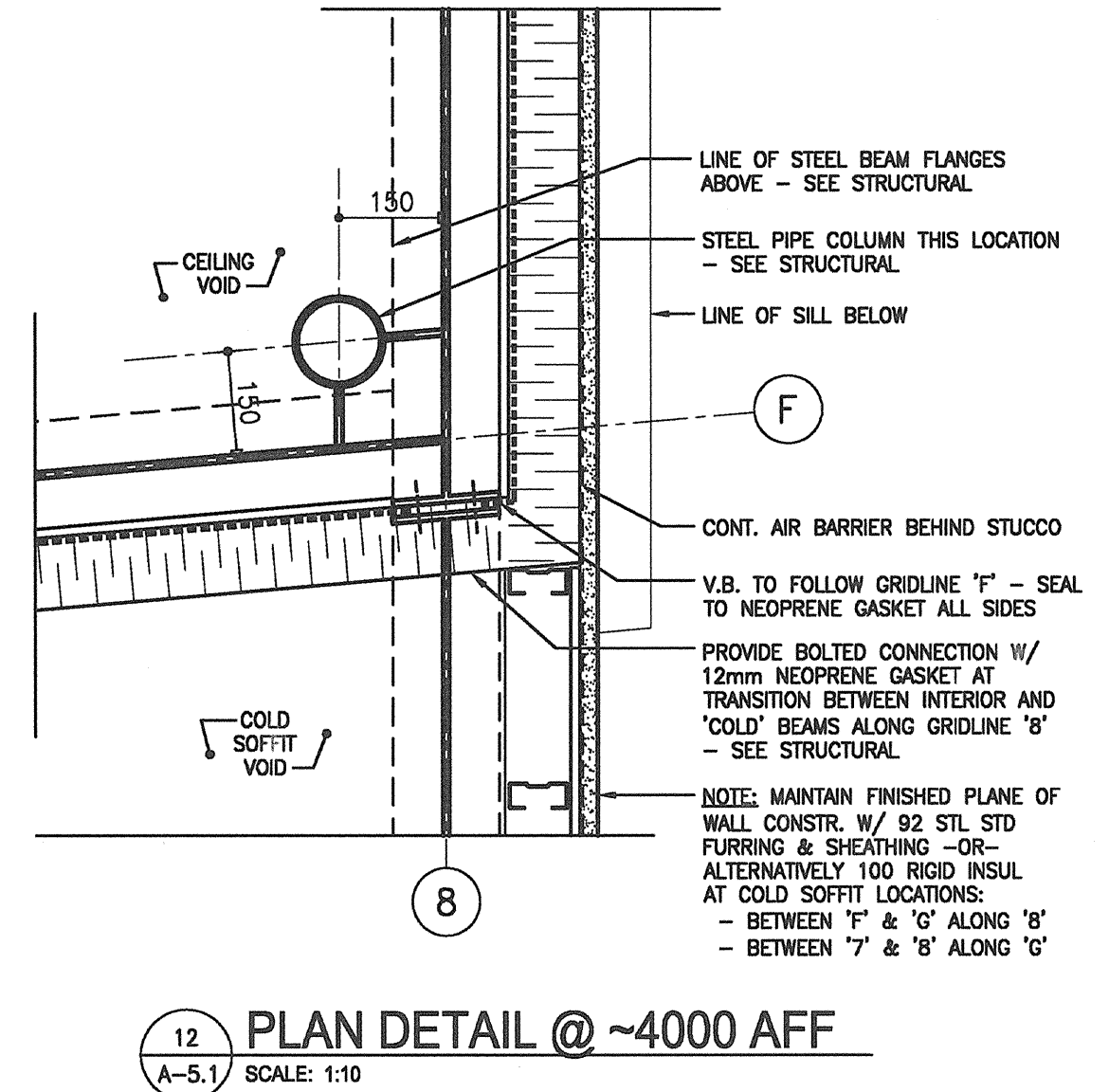
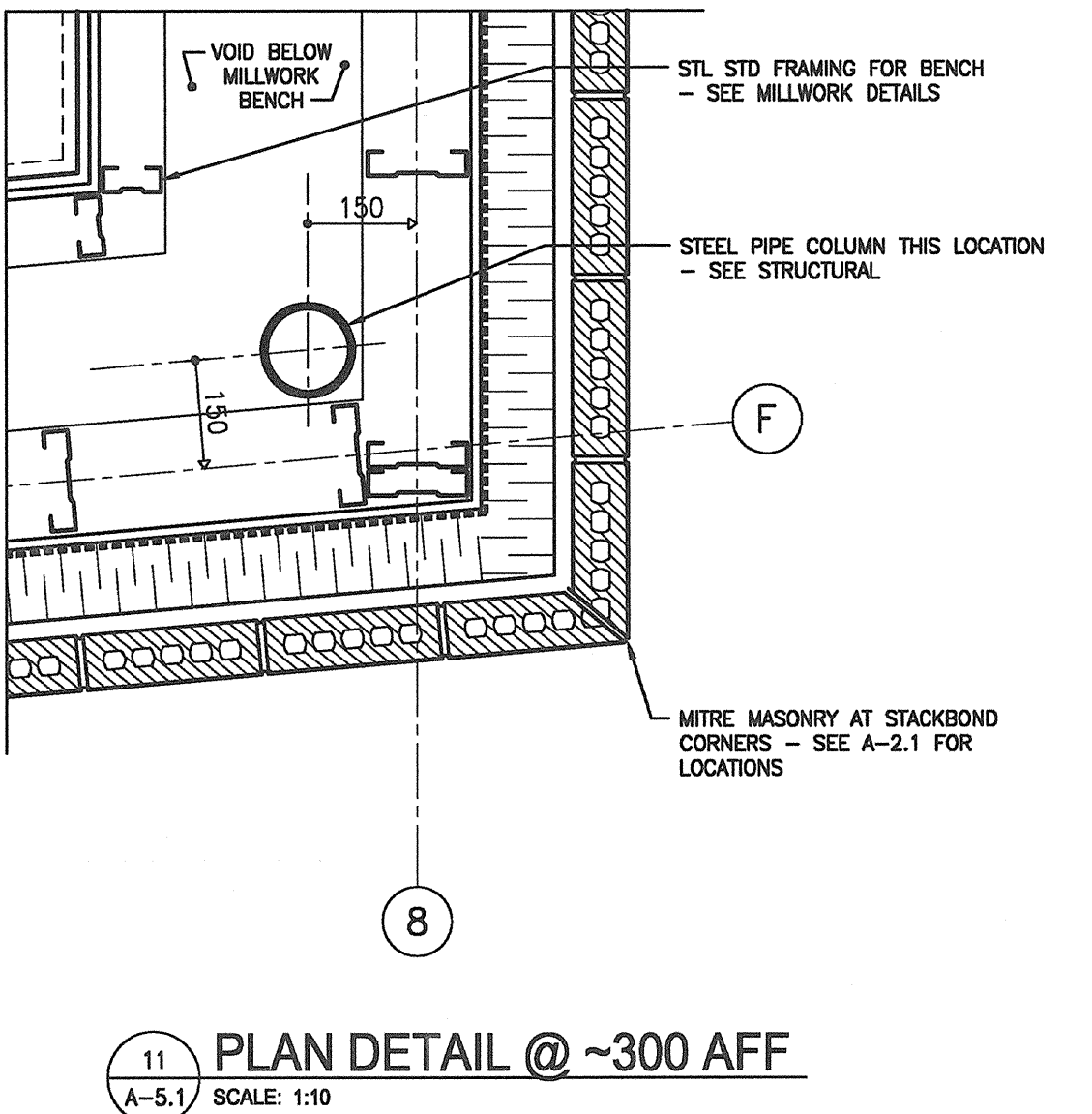
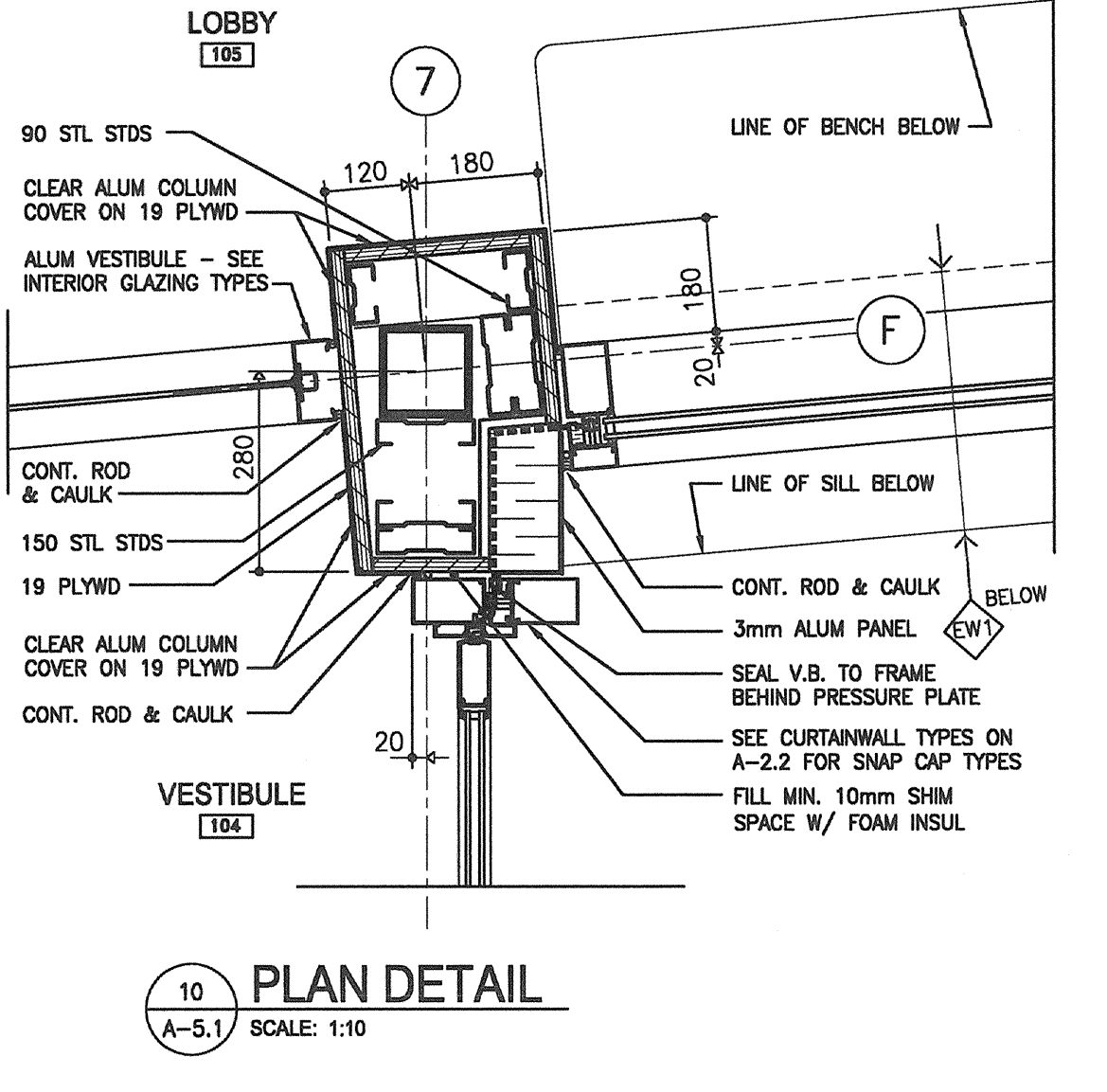
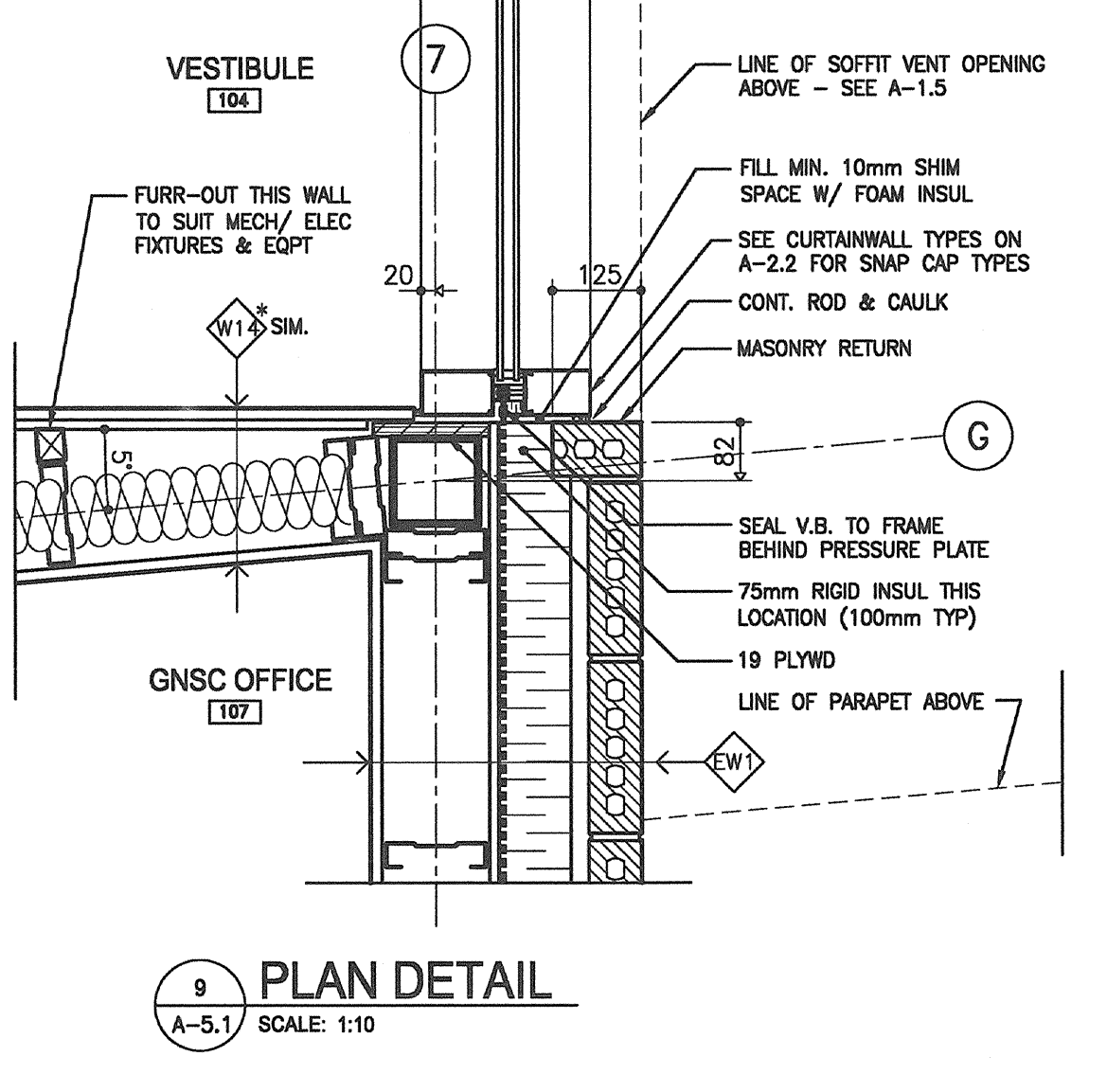
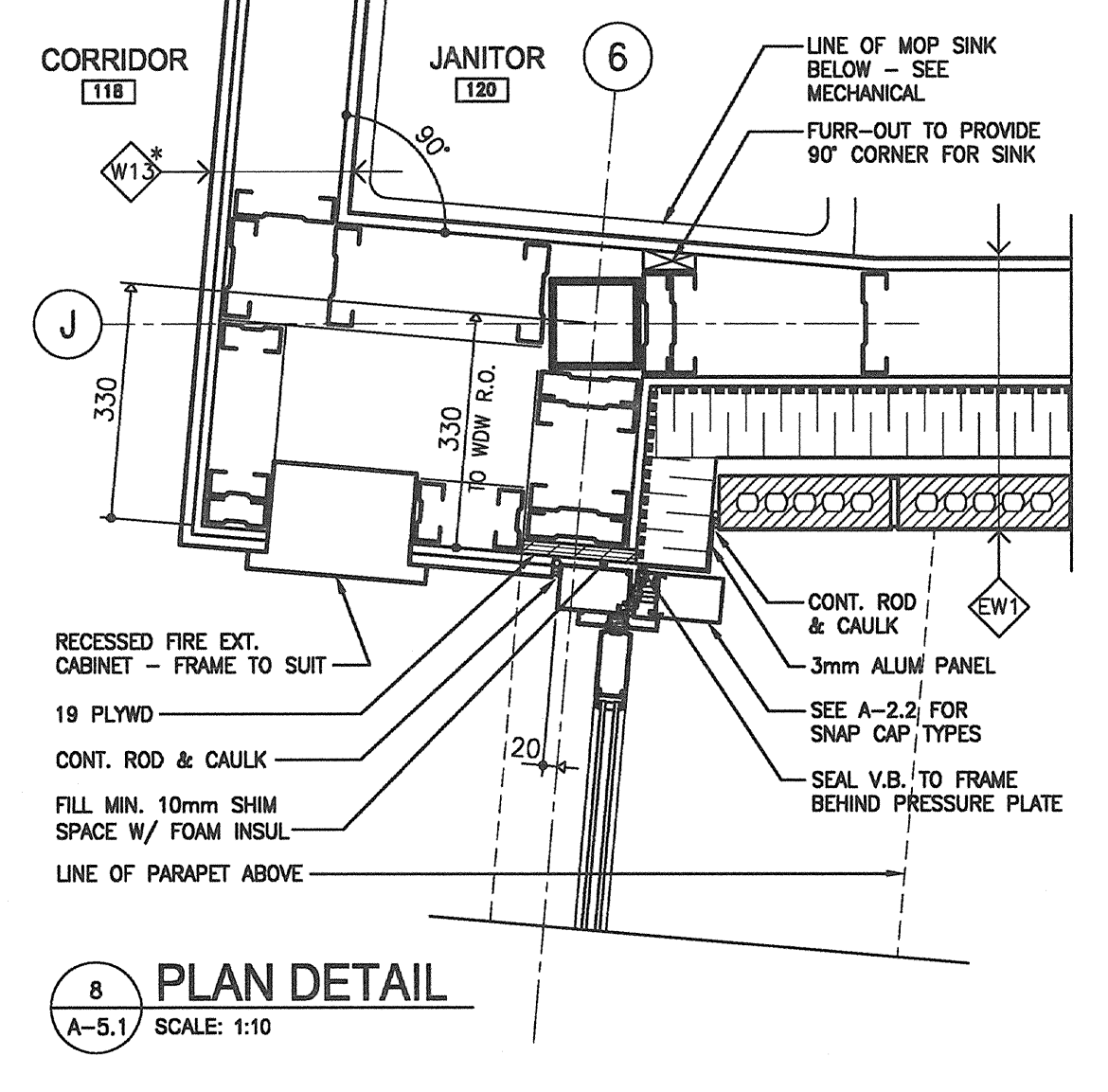
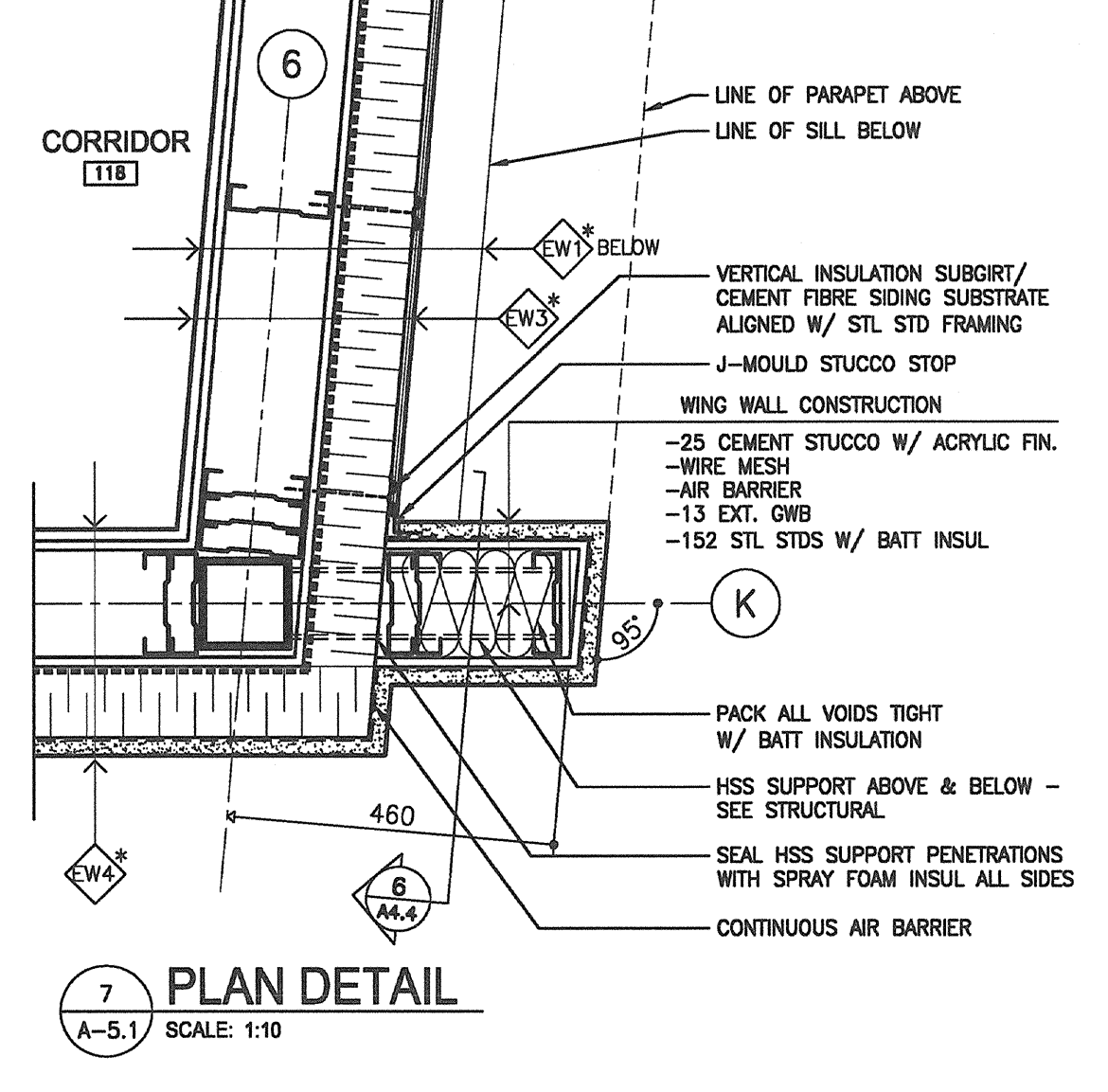
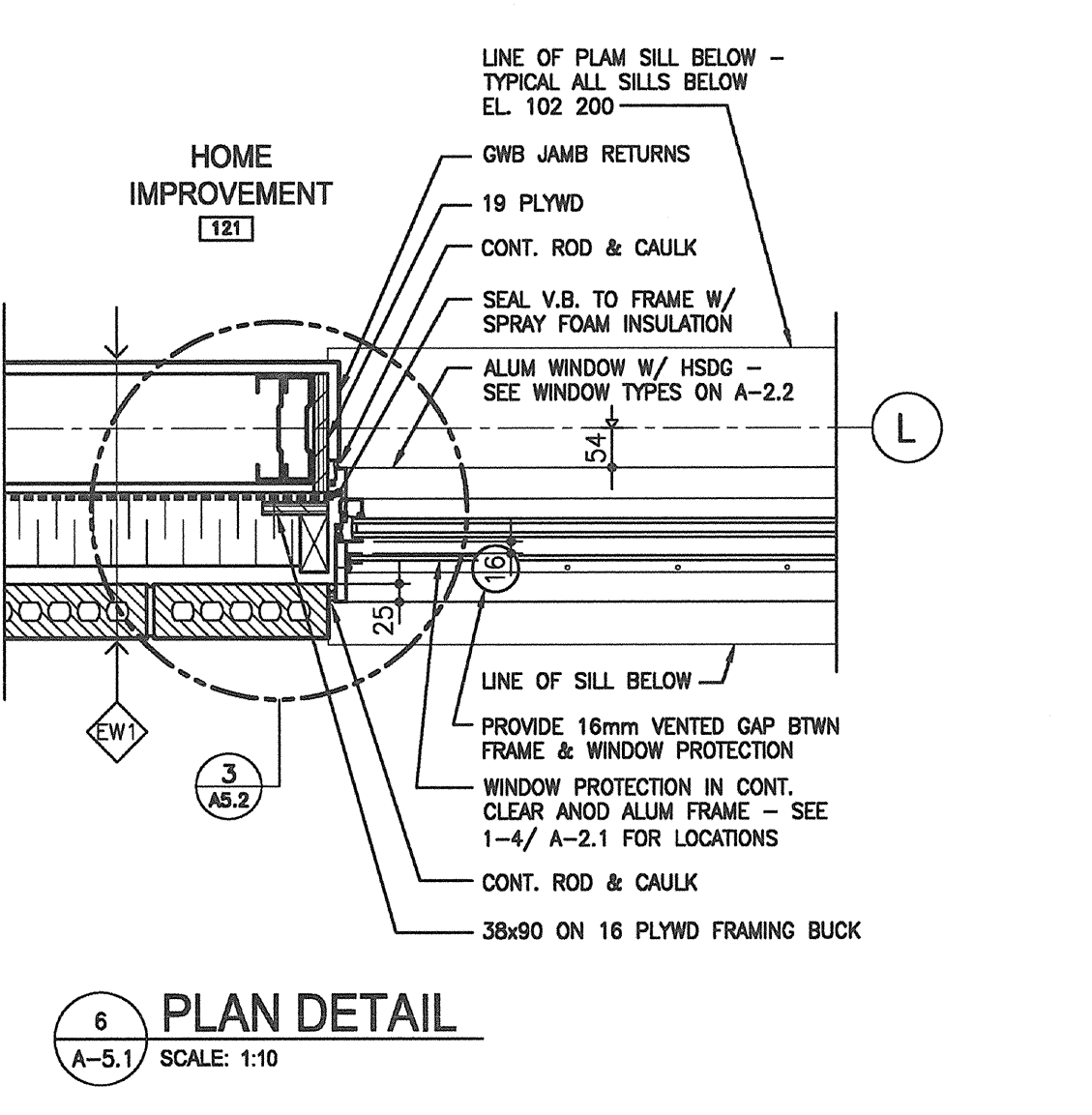
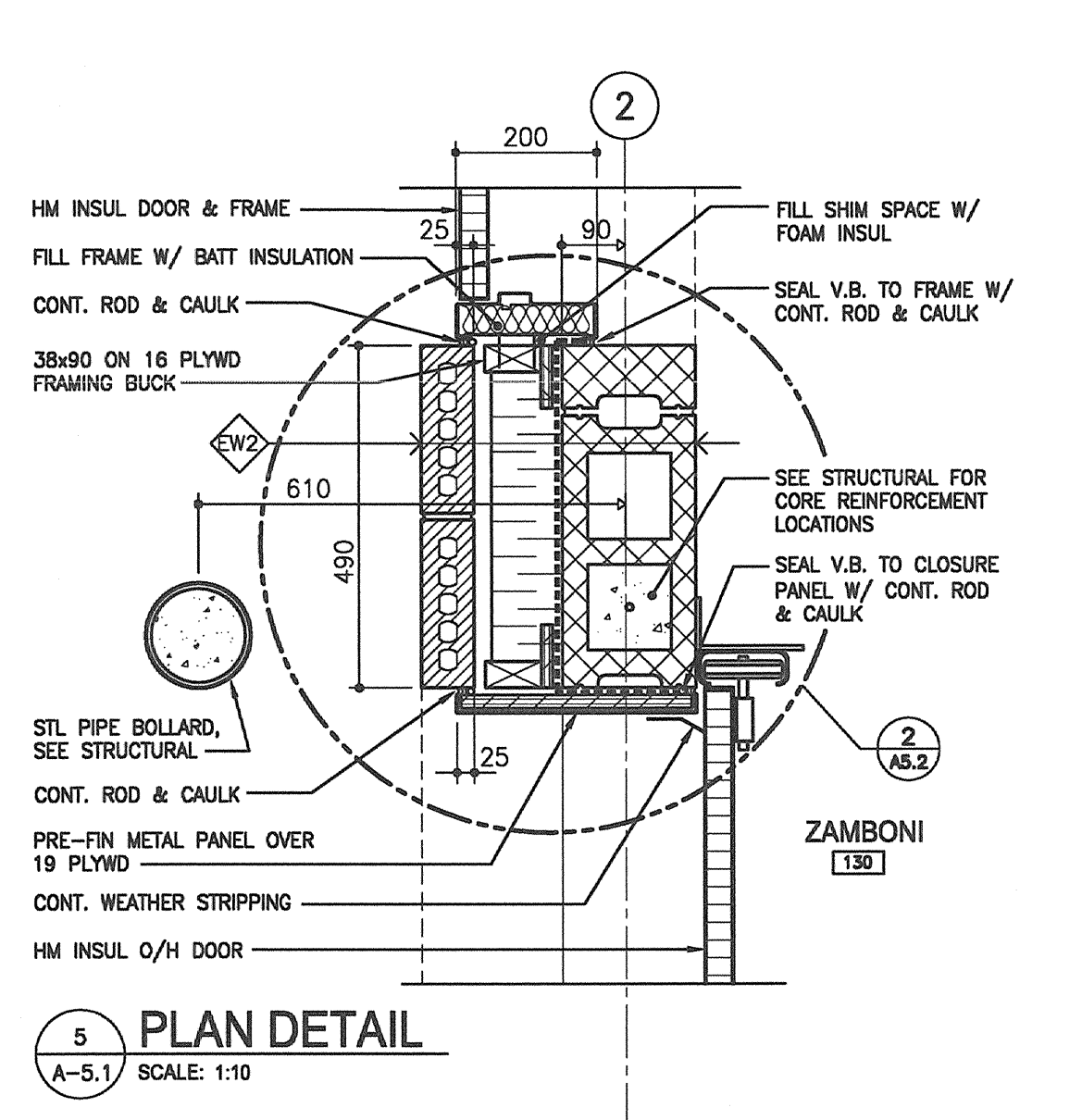
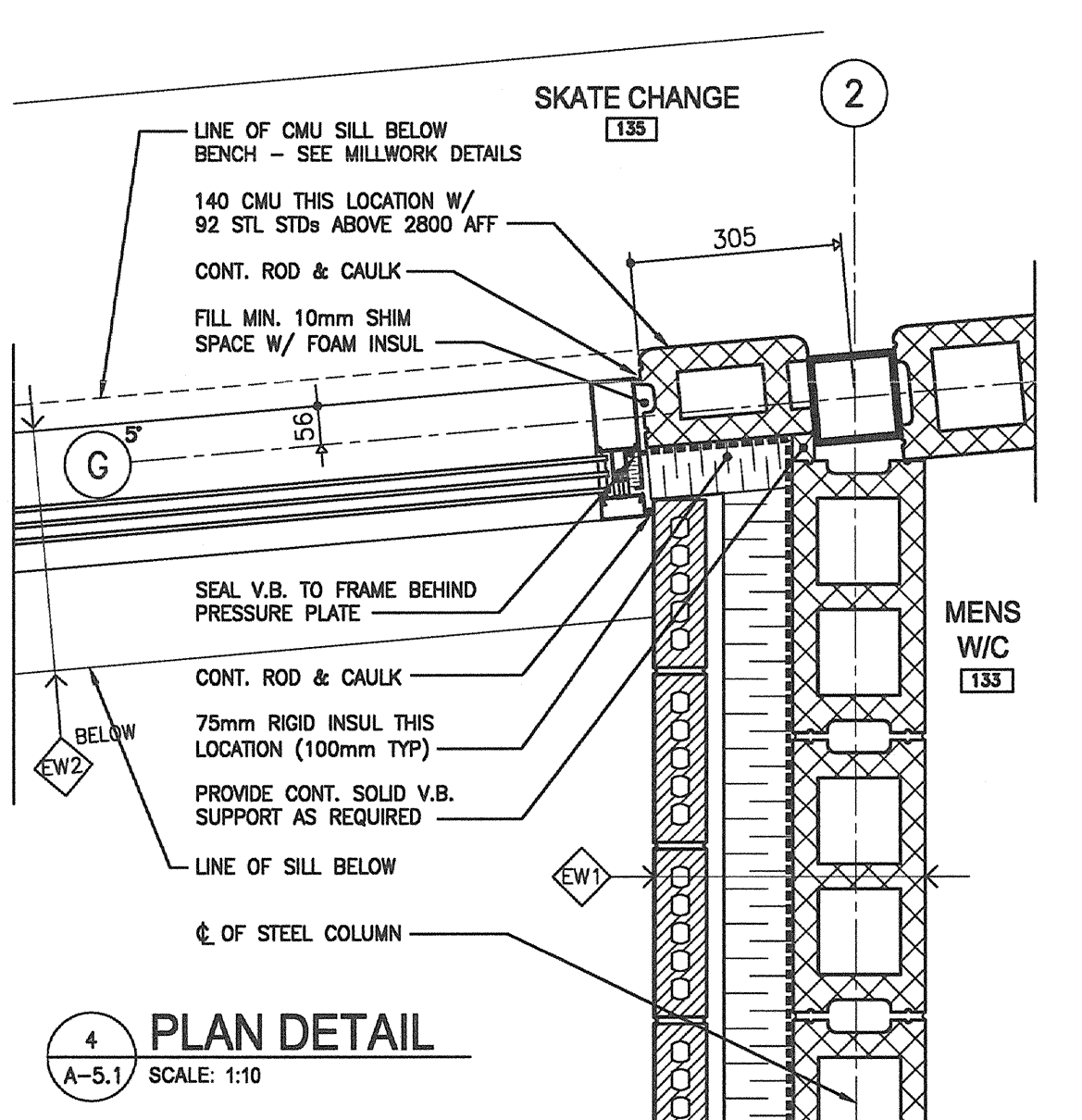
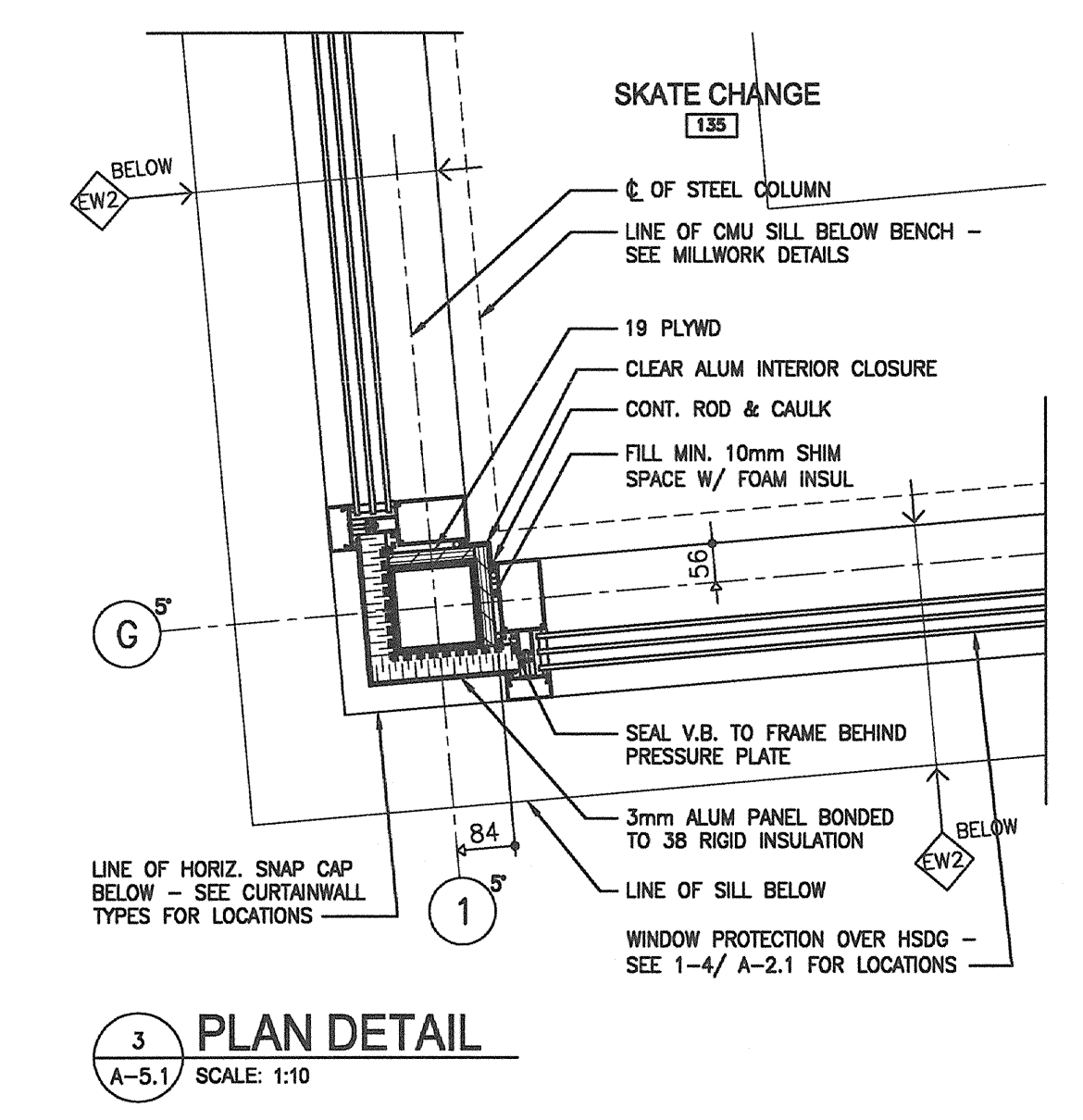
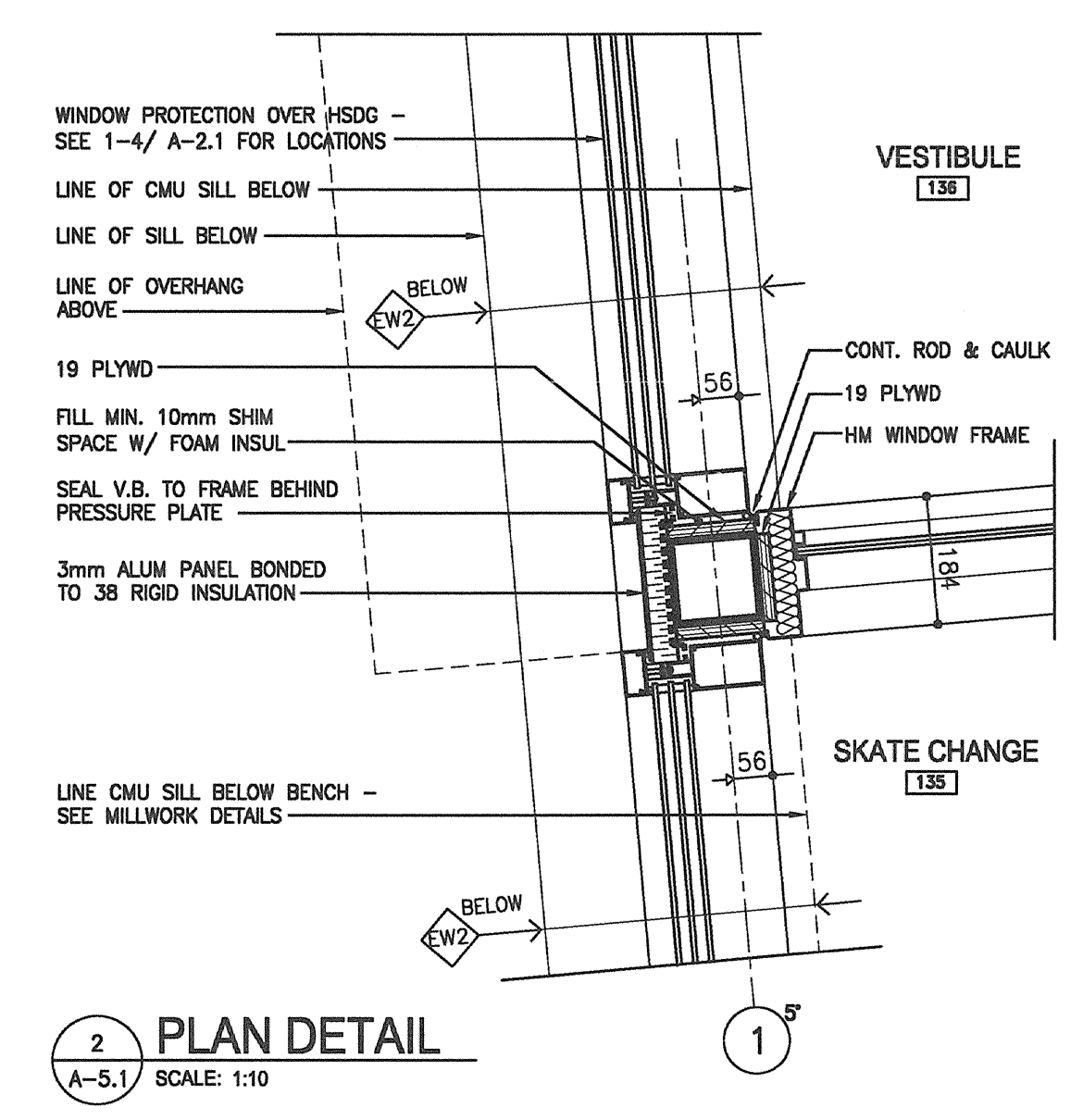
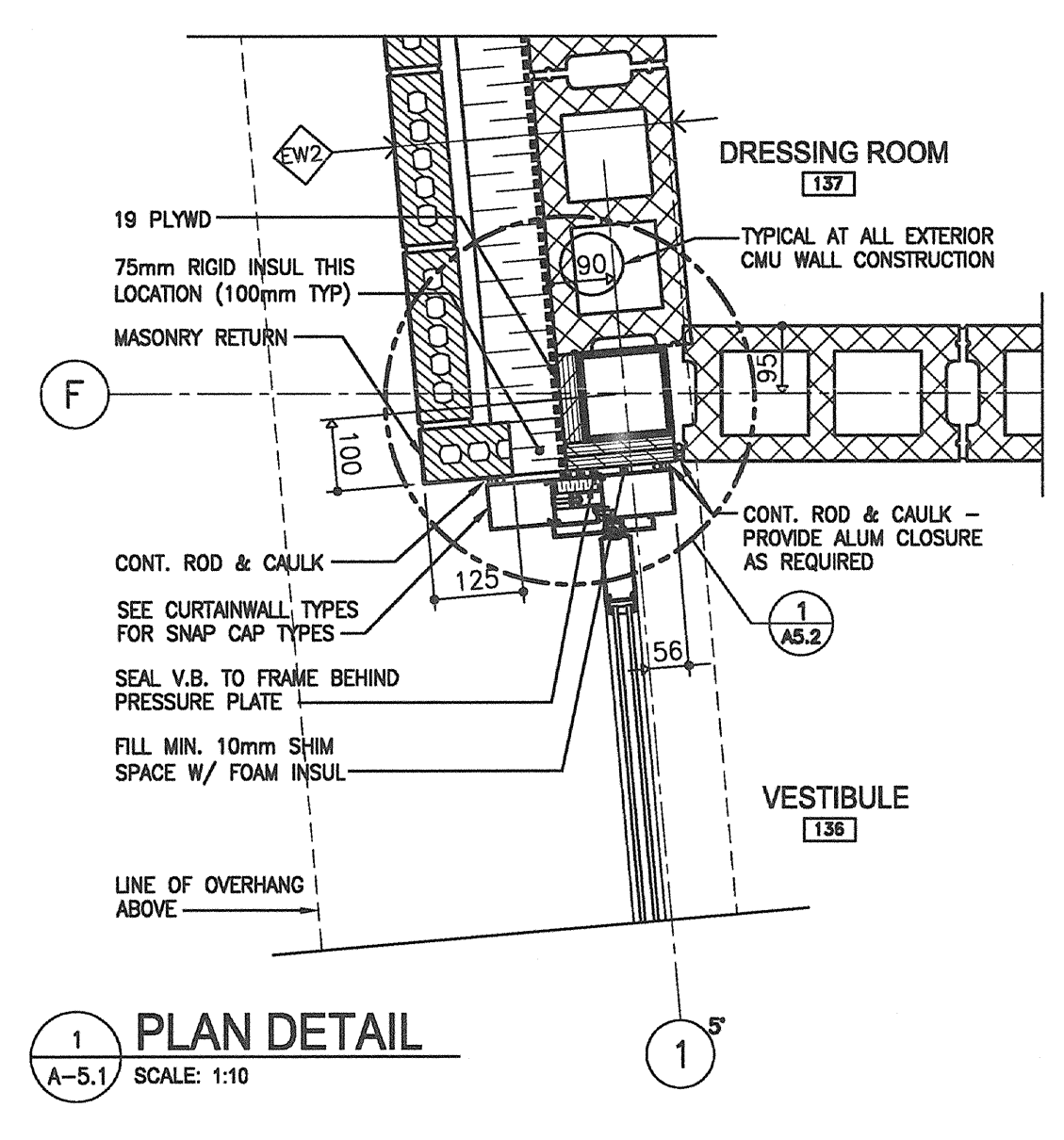


NOTES:

THIS DRAWING NOT BE SCALED.
THE CONTRACTOR SHALL VERIFY ALL DIMENSIONS, MATERIALS AND LEVELS PRIOR TO COMMENCEMENT OF WORK. ALL TOLERANCES AND DIMENSIONS TO BE REFERRED TO THE CONTRACT ADMINISTRATOR BEFORE PROCEEDING.

WARNINGS AND MODIFICATIONS TO WORK SHOWN ON THESE DRAWINGS SHALL NOT BE CARRIED OUT WITHOUT WRITTEN PERMISSION OF THE CONTRACT ADMINISTRATOR.

THIS DRAWING IS THE EXCLUSIVE PROPERTY OF NUMBER TEN ARCHITECTURAL GROUP AND THE COPYRIGHT IN THE SAME BEING RESERVED TO THEM. IT MAY BE REPRODUCED ONLY WITH THE PERMISSION OF THE CITY OF WINNIPEG.



numberTEN
architectural group
204 942.0981 victoria BC
250 360.2106
architecture • interior design • graphic design

1	ISSUED FOR 40% REVIEW	28-OCT-2007
2	ISSUED FOR 80% REVIEW	7-DEC-2007
3	ISSUED FOR 100% REVIEW	11-JAN-2008
4	ISSUED FOR TENDER	16-JAN-2008
5		
6		
7		
8		
9		
10		
11		
12		
13		
14		
15		
16		
17		
18		
19		
20		

PROVINCE OF MANITOBA
REGISTERED ARCHITECT
NUMBER TEN ARCHITECTURAL GROUP
No. 010
DOUG HANNA
REGISTERED ARCHITECT

DRAWN BY: [initials] CHECKED BY: [initials] APPROVED BY: [initials]
DATE: 18-JAN-2008 USER: APPROVAL

CITY OF WINNIPEG
PLANNING, PROPERTY &
DEVELOPMENT DEPARTMENT
CIVIC ACCOMMODATIONS DIVISION
300 - 65 GARRY ST. R3C 4K4

PROJECT
BRONX PARK COMMUNITY CENTRE
HOME OF
GOOD NEIGHBOURS SENIOR CENTRE
WINNIPEG, MANITOBA
SHEET TITLE
PLAN DETAILS