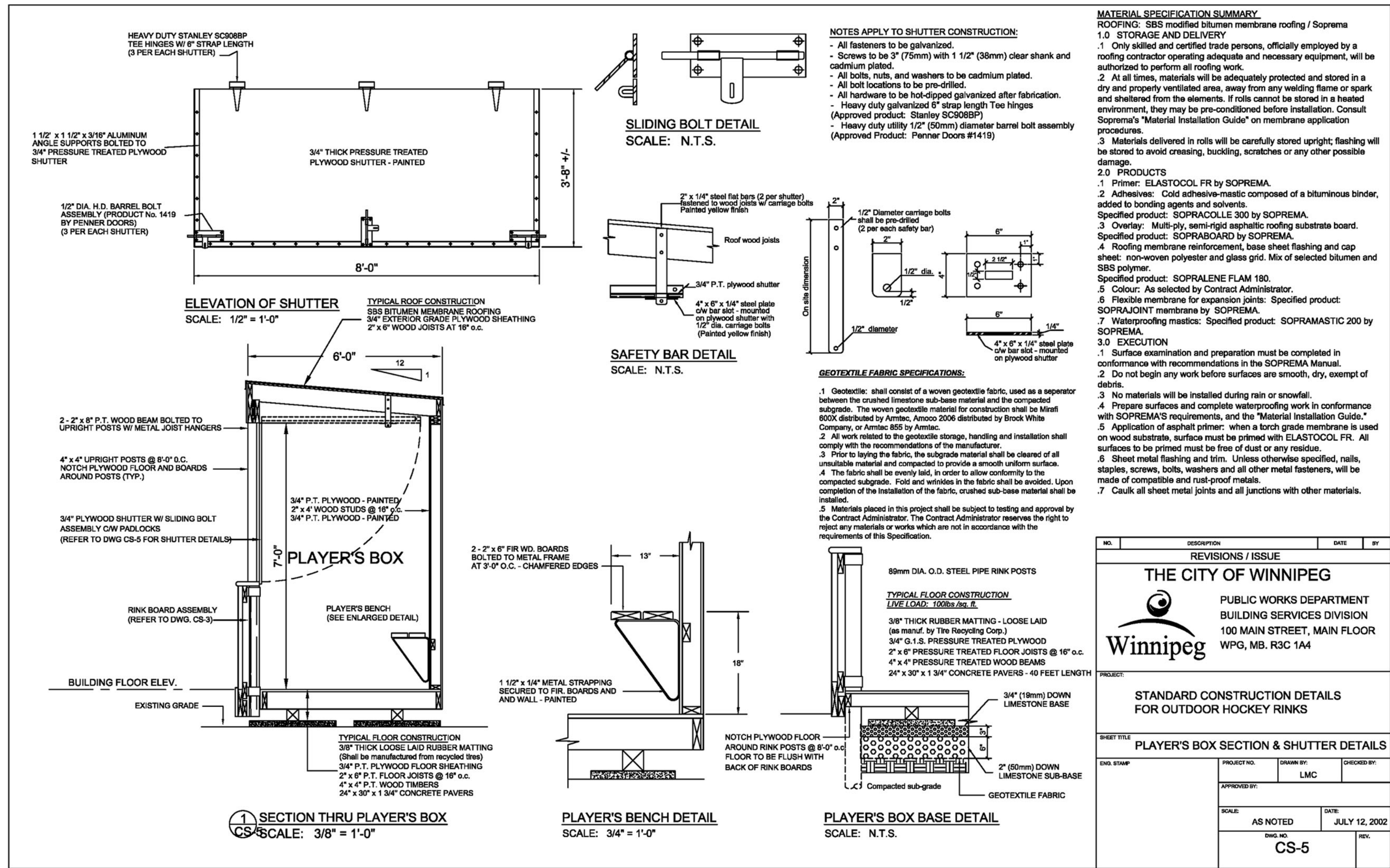


DATE: 18-JAN-2008 FILE NAME: 7026-Bronx-Tender.dwg
 PROJECT No.: PPRD 2006-065 DESCRIPTION: L12-CONV-DETAILS-SITE FURNITURE
 ADDRESS: WINNIPEG, MANITOBA



NOTES:
 THE DRAWING MUST NOT BE SCALED.
 THE CONTRACTOR SHALL VERIFY ALL DIMENSIONS, DATA, AND LEVELS PRIOR TO COMMENCEMENT OF WORK. ALL ERRORS AND OMISSIONS TO BE REPORTED TO THE CONTRACT ADMINISTRATOR BEFORE PROCEEDING.
 VARIATIONS AND MODIFICATIONS TO WORK SHOWN ON THESE DRAWINGS SHALL NOT BE CARRIED OUT WITHOUT WRITTEN PERMISSION OF THE CONTRACT ADMINISTRATOR.
 THIS DRAWING IS THE EXCLUSIVE PROPERTY OF NUMBER TEN ARCHITECTURAL GROUP AND THE COPYRIGHT IN THE SAME BEING RESERVED TO THEM. IT MAY BE REPRODUCED ONLY WITH THE PERMISSION OF THE CITY OF WINNIPEG.

**CONFIDENTIAL
 DO NOT COPY**

NO.	REVISIONS / ISSUE	DATE	BY
1	ISSUE		

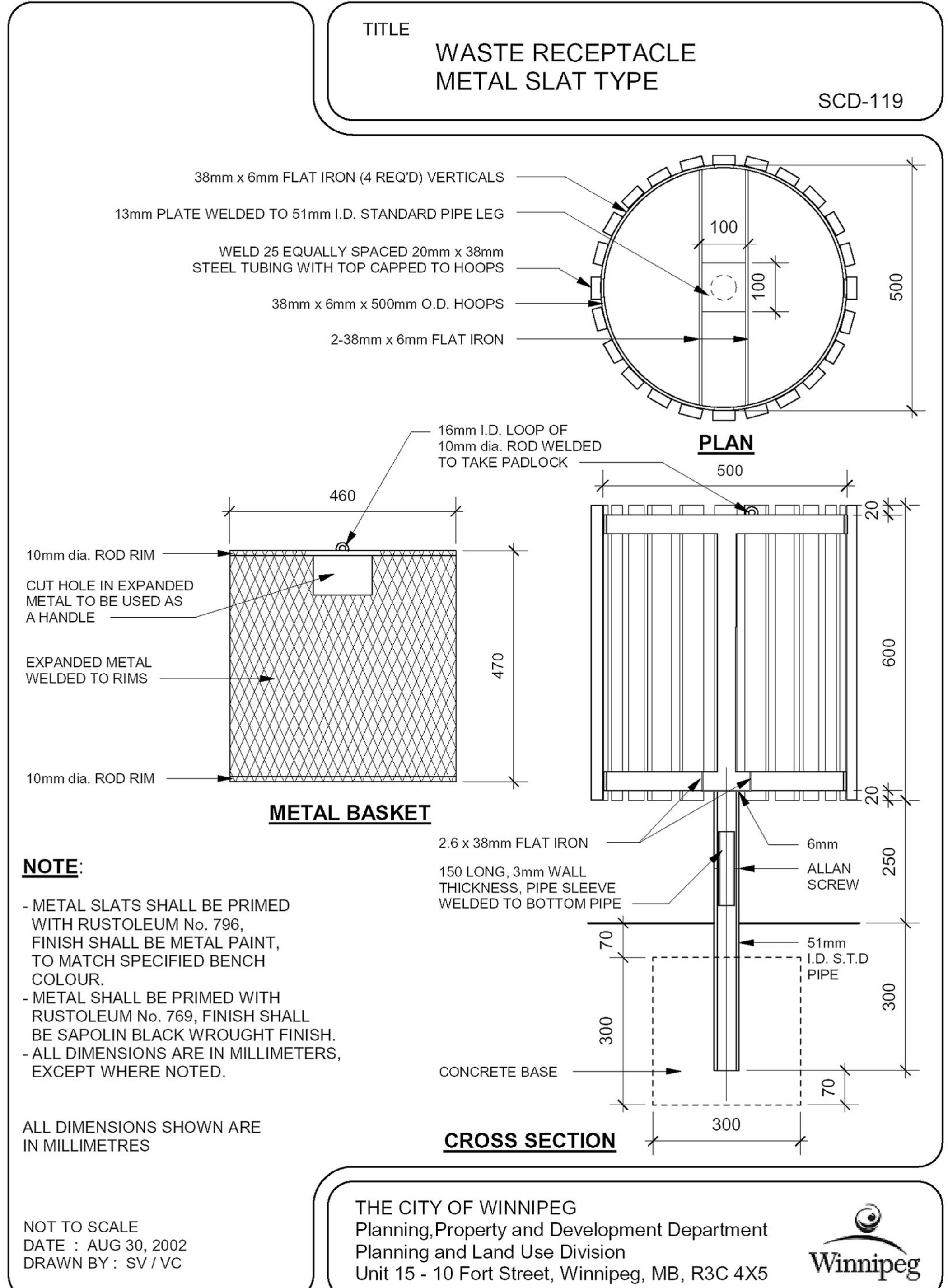
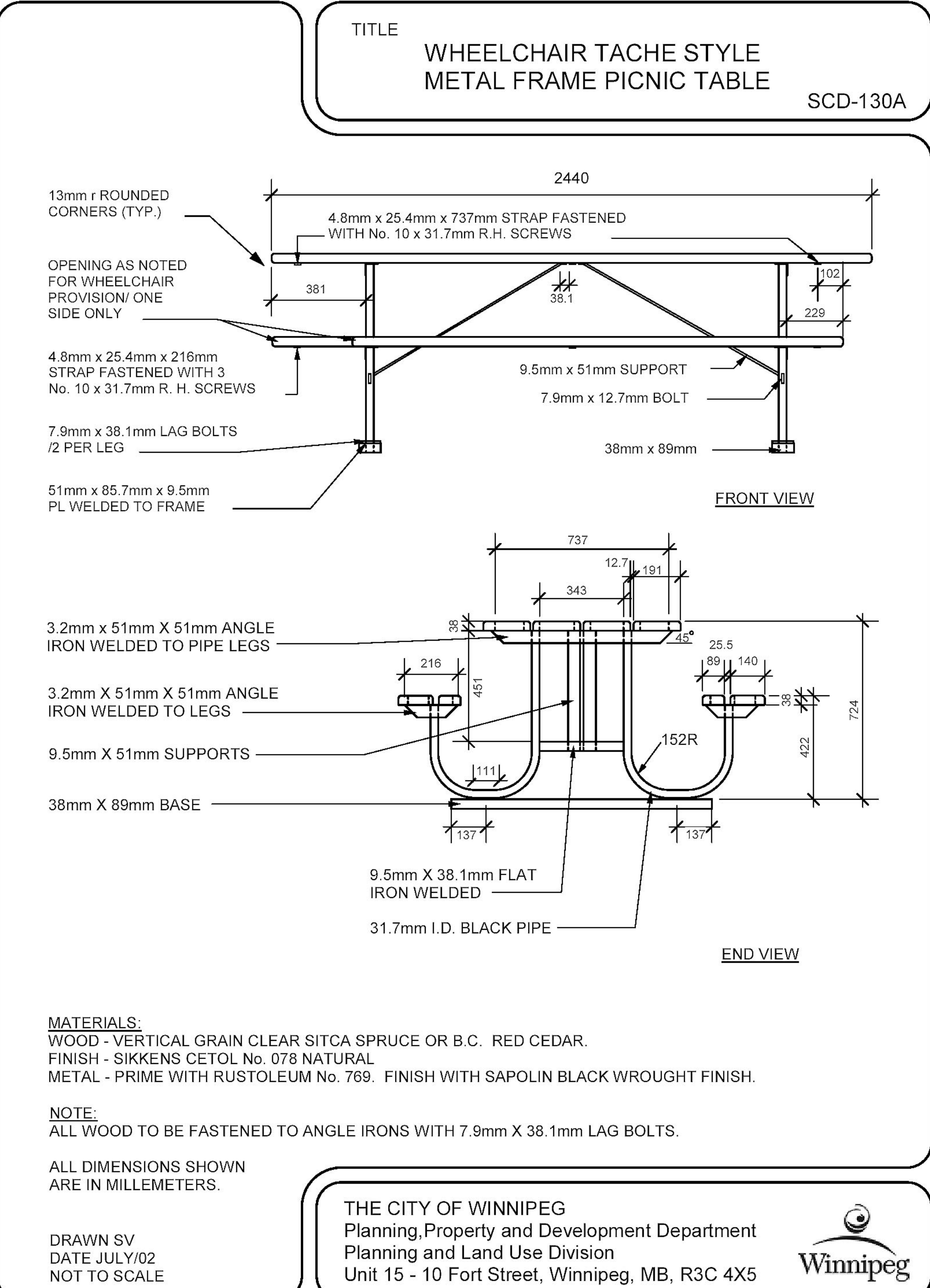
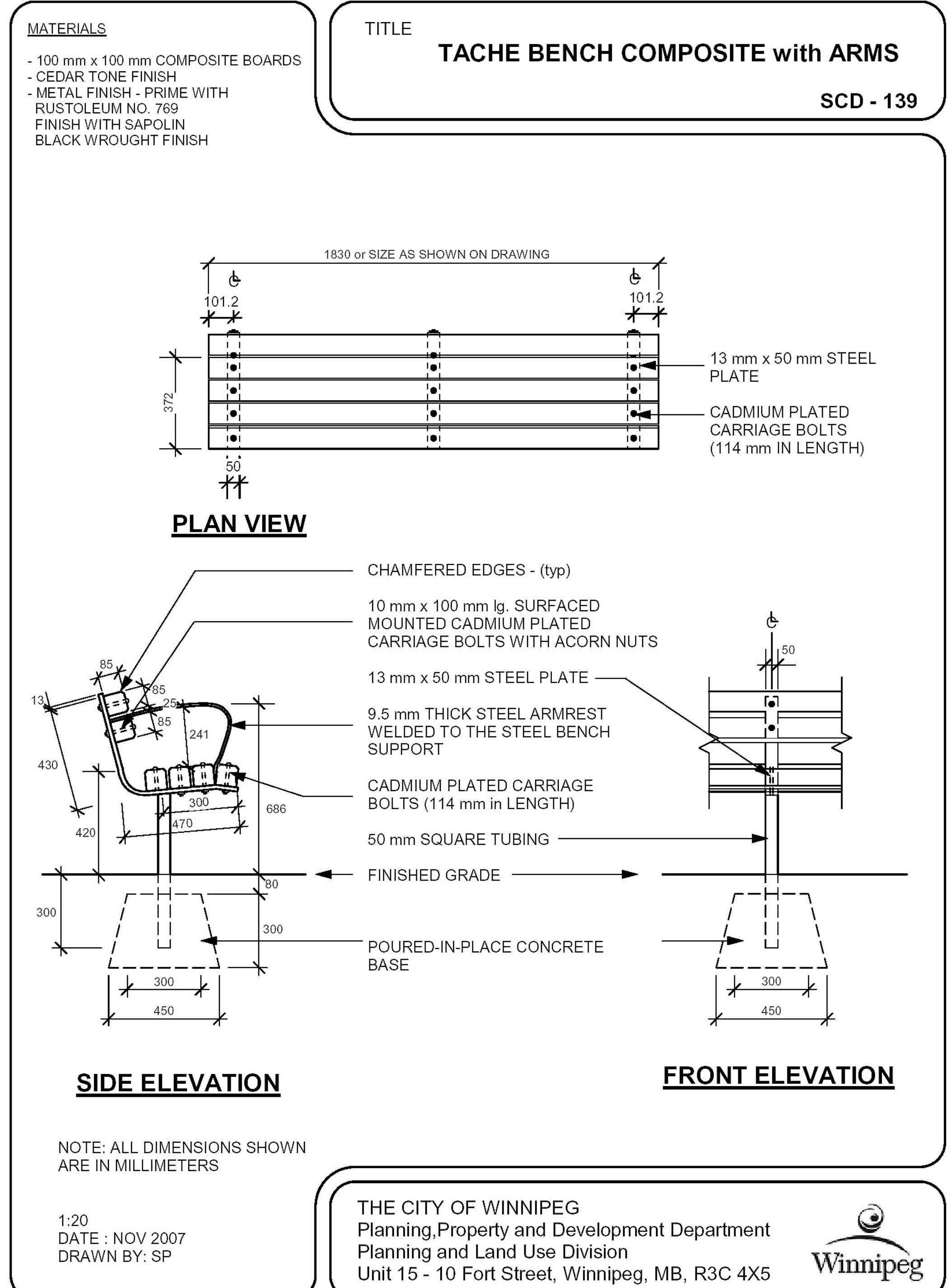
THE CITY OF WINNIPEG
 PUBLIC WORKS DEPARTMENT
 BUILDING SERVICES DIVISION
 100 MAIN STREET, MAIN FLOOR
 WPG, MB, R3C 1A4

**STANDARD CONSTRUCTION DETAILS
 FOR OUTDOOR HOCKEY RINKS**

PLAYER'S BOX SECTION & SHUTTER DETAILS

REVISED	PROJECT NO.	DRAWN BY	CHECKED BY
AS NOTED		LMC	

DATE: JULY 12, 2002
 SHEET NO.: CS-5



SCATLIFF+MILLER+MURRAY
 landscape architecture urban design golf course design bridge architecture 3d simulation
 Winnipeg BC 204 942 0981 250 340 2106
 numberTEN architectural group
 architecture • interior design • graphic design

REVISIONS / ISSUED / PLOTTED / DATE

1	ISSUED FOR 100% REVIEW	11-JAN-2008
2	ISSUED FOR TENDER	18-JAN-2008

NO. / REVISION / DESCRIPTION / BY / DATE

SEALS

DRAWN BY: CD / WF CHECKED BY: DM APPROVED: USER APPROVAL
 DATE: 18-JAN-2008

CITY OF WINNIPEG
 PLANNING, PROPERTY AND DEVELOPMENT DEPARTMENT
 CIVIC ACCOMMODATIONS DIVISION
 300 - 65 GARRY ST. R3C 4K4

PROJECT: BRONX PARK COMMUNITY CENTRE HOME OF GOOD NEIGHBOURS SENIOR CENTRE WINNIPEG, MANITOBA

SHEET TITLE: CITY OF WINNIPEG STANDARD CONSTRUCTION DETAILS FOR SITE FURNITURE

SCALE: NTS PROJECT NO.: PPRD 2006-065 SHEET NO.: L-12.0
 DRAWING SHEET SIZE: ARCH E1 (42" x 30") PLOT 1:1

NOTE: ALL DRAWINGS ARE NOT TO SCALE