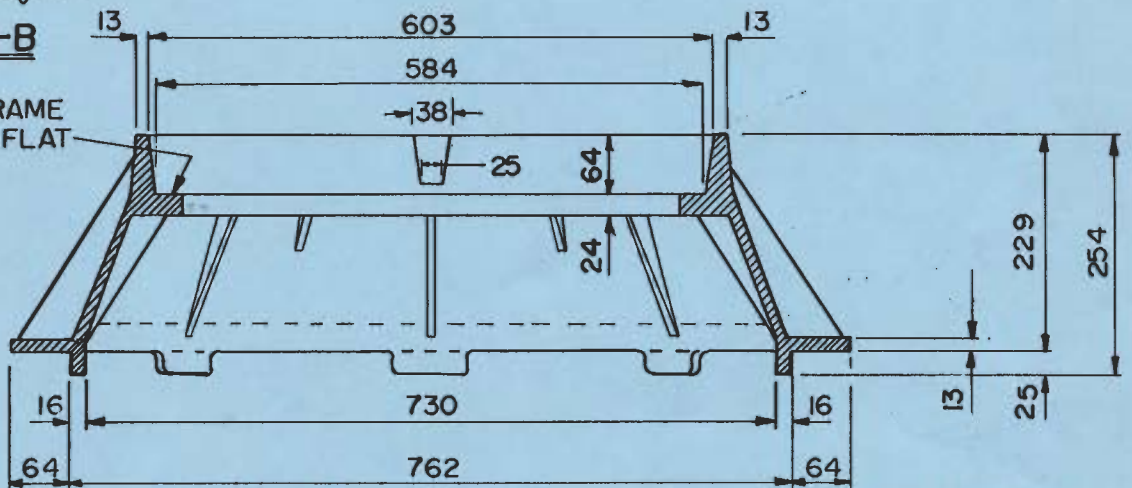


**SECTION B-B**

COVER SEAT IN FRAME TO BE MACHINED FLAT



**SECTION A-A**

DIMENSIONS IN MILLIMETRES

**The City Of Winnipeg**  
Works & Operations Division

Reference Spec. No. CW 2130  
CW2131 CW2150

MANHOLE FRAME

Designed By:  
GFN

Drawn By:  
EN

Scale:  
N.T.S.

Checked By:  
RAS

Date:  
MARCH 1986

Drawing No.

Approved  
*R.A. Srochowski*

SD-104