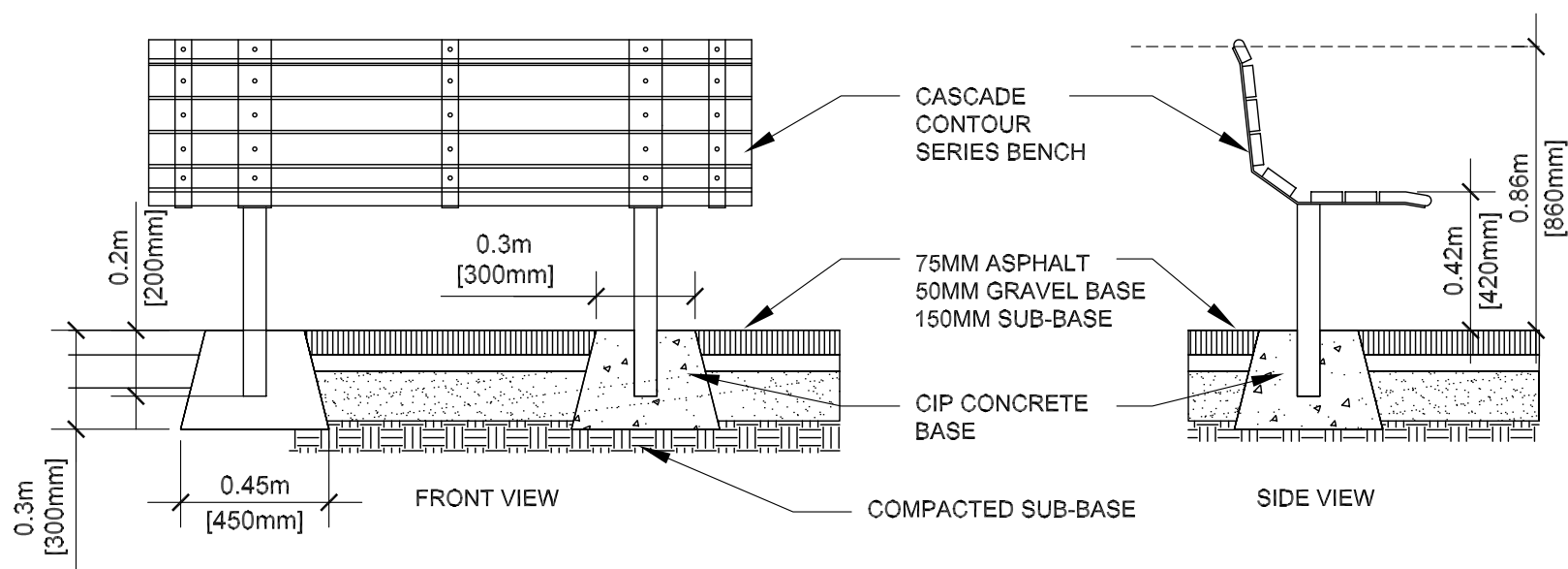
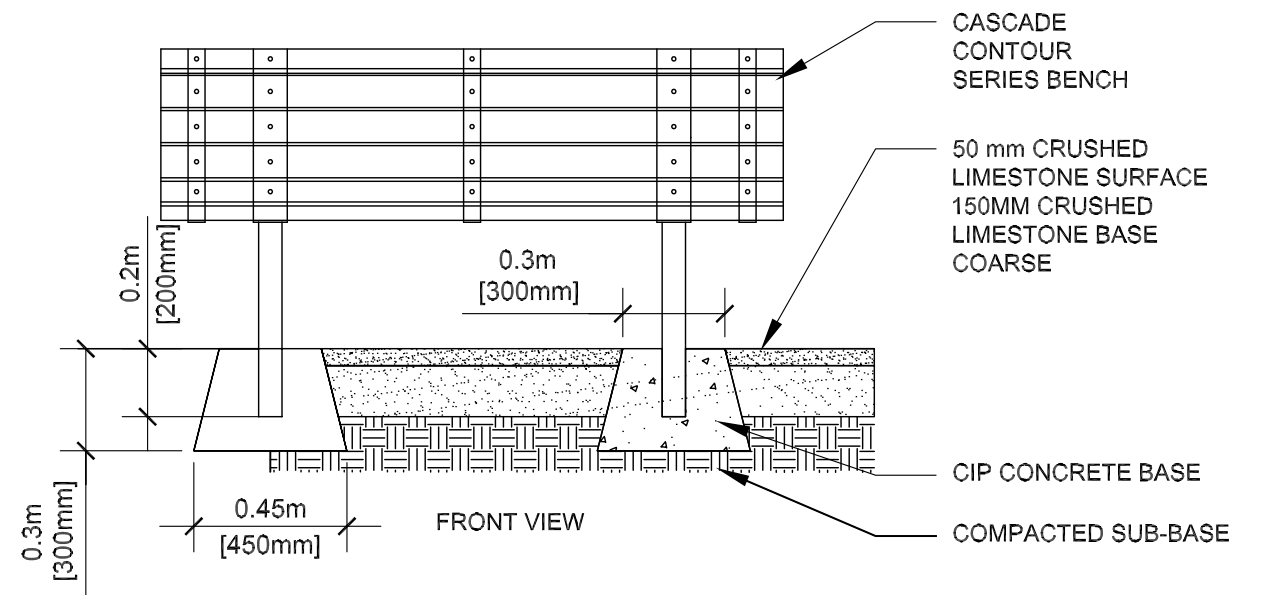


5
D2
TIMBER ENTRANCE ELEVATION



ASPHALT PAVING APPLICATION



GRAVEL PAVING APPLICATION

6
D2
IN GROUND MOUNT - CASCADE CONTOUR BENCH (72" LONG)

LOCATION OF UNDERGROUND STRUCTURES AS SHOWN ARE BASED ON THE BEST INFORMATION AVAILABLE BUT NO GUARANTEE IS GIVEN THAT ALL EXISTING UTILITIES ARE SHOWN OR THAT THE GIVEN LOCATIONS ARE EXACT. CONFIRMATION OF EXISTENCE AND EXACT LOCATION OF ALL SERVICES MUST BE OBTAINED FROM THE INDIVIDUAL UTILITIES BEFORE PROCEEDING WITH CONSTRUCTION.



THE CITY OF WINNIPEG
Planning, Property and Development Department
Planning and Land Use Division
Unit 15 - 30 Fort Street, Winnipeg, MB, (R3C 4X5)

DESIGNED BY	RC	CHECKED BY	APPROVED BY
DRAWN BY	RC	RELEASED FOR CONSTRUCTION	
HORIZ. SCALE	NTS		
VERT. SCALE			
DATE	OCT. 15 /07	MANAGER, PLANNING AND LAND USE DIVISION	DATE

DRAWING TITLE	CAD DRAWING NO.
NORWOOD COMMUNITY CENTRE PLAYGROUND RENOVATIONS - DETAILS	DRAWING NO. 105/07-D2