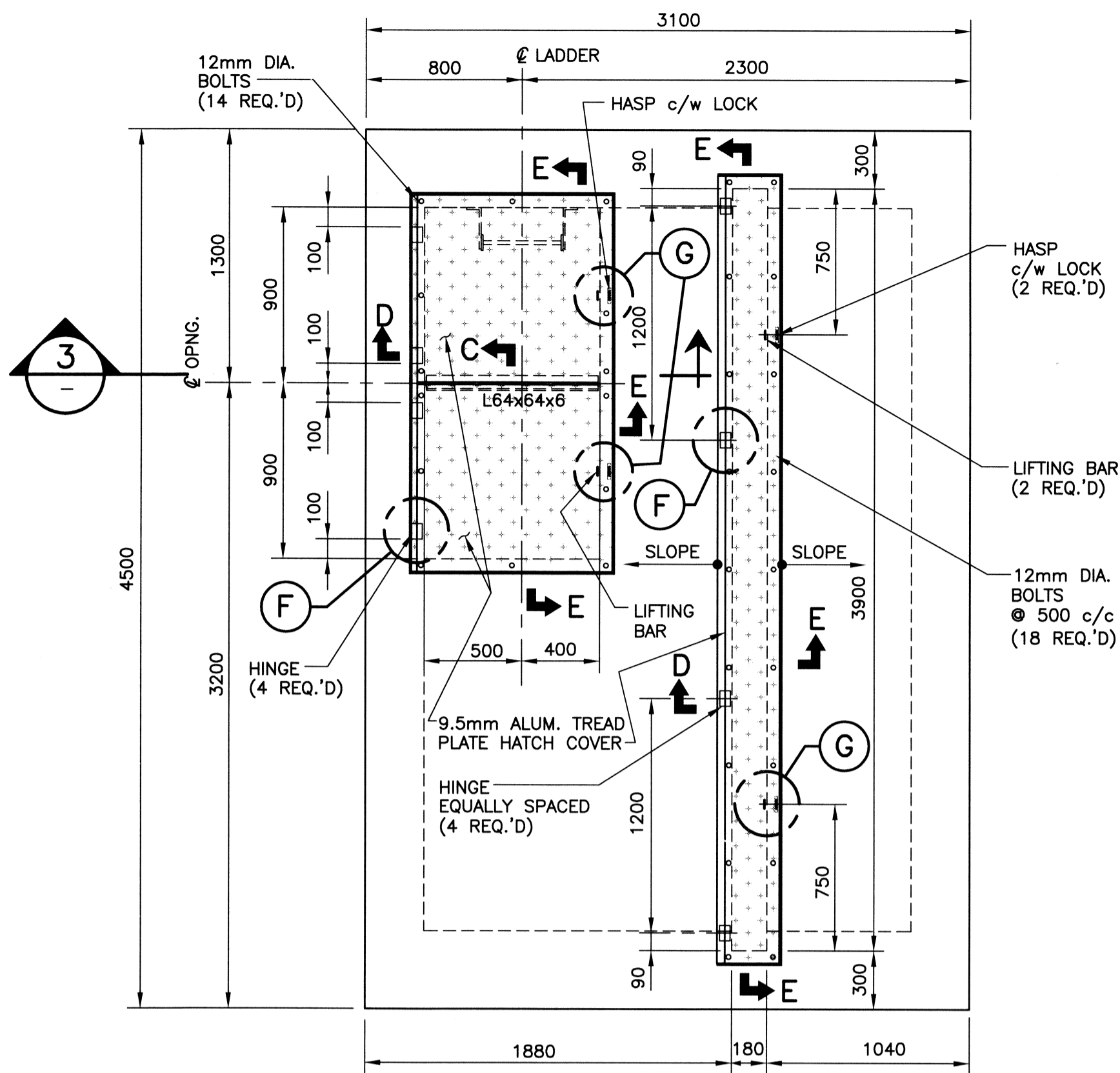
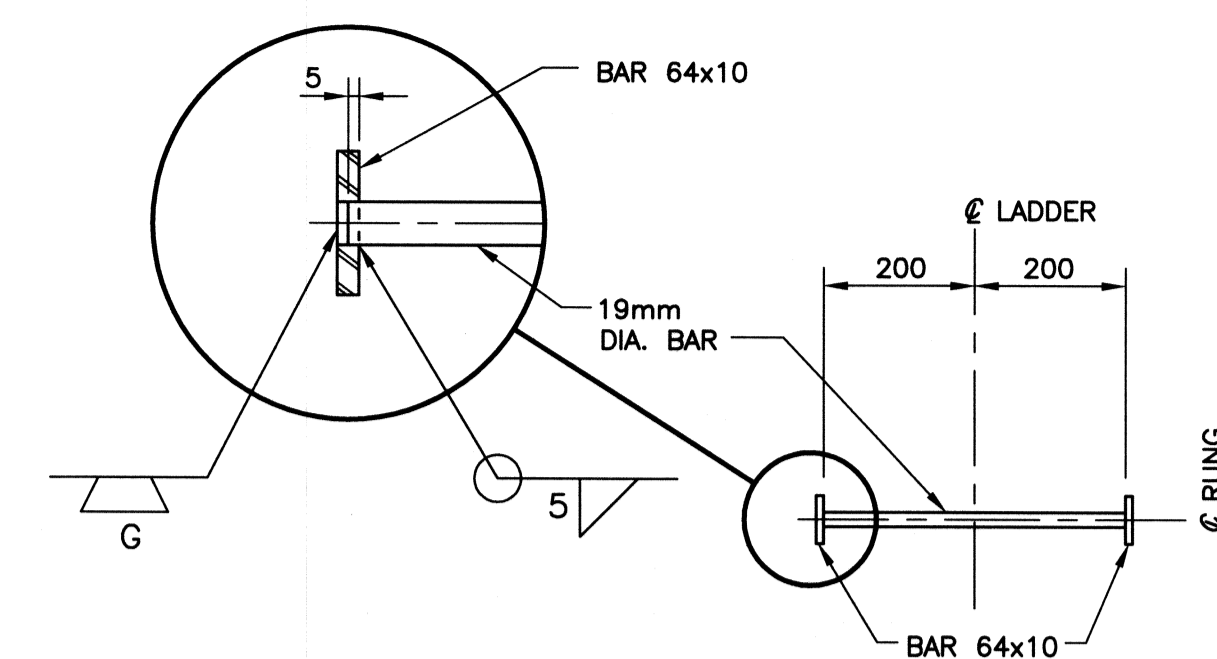


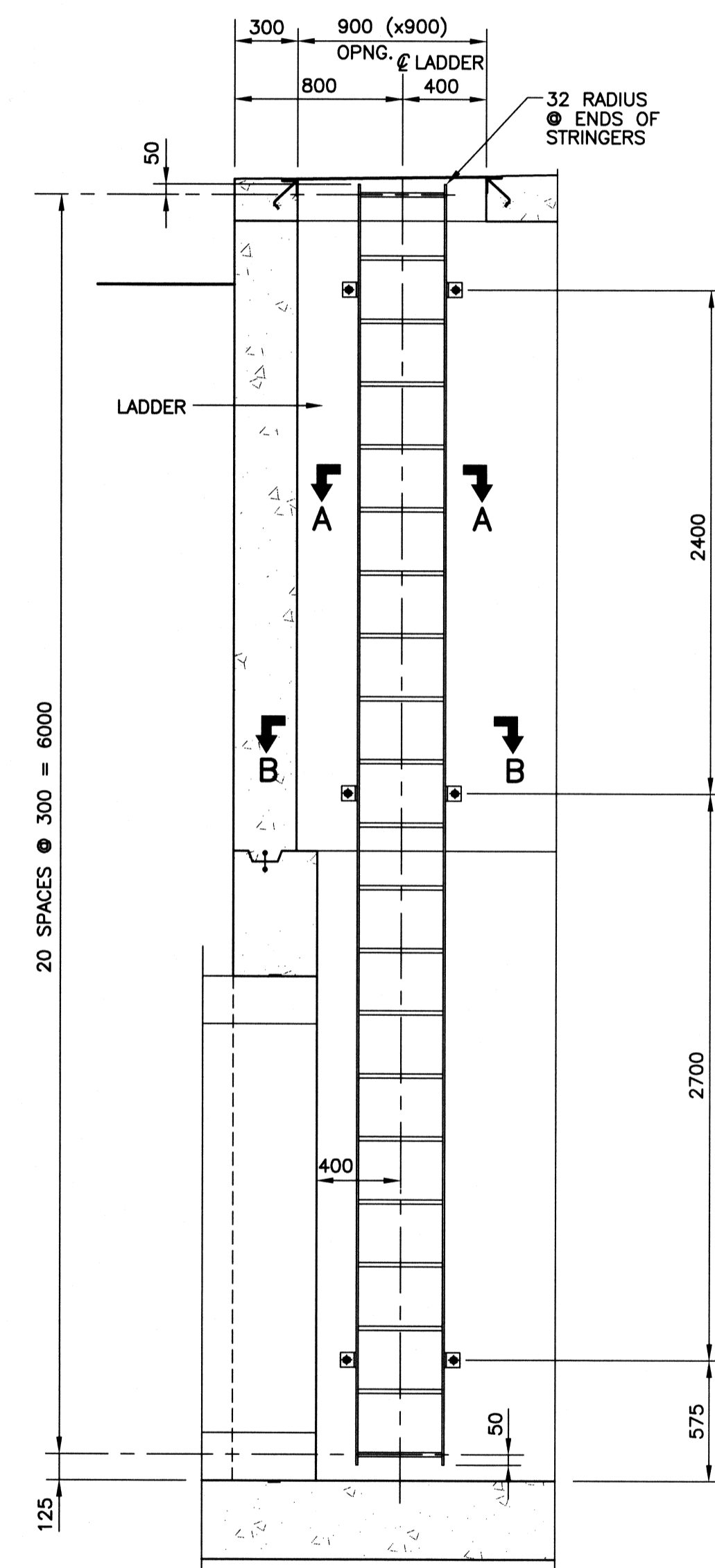
1
02
DETAIL - 6MM BENT PLATE GUIDE
SCALE: 1:5
2 LOCATIONS



2
PLAN - ROOF SLAB
SCALE: 1:25

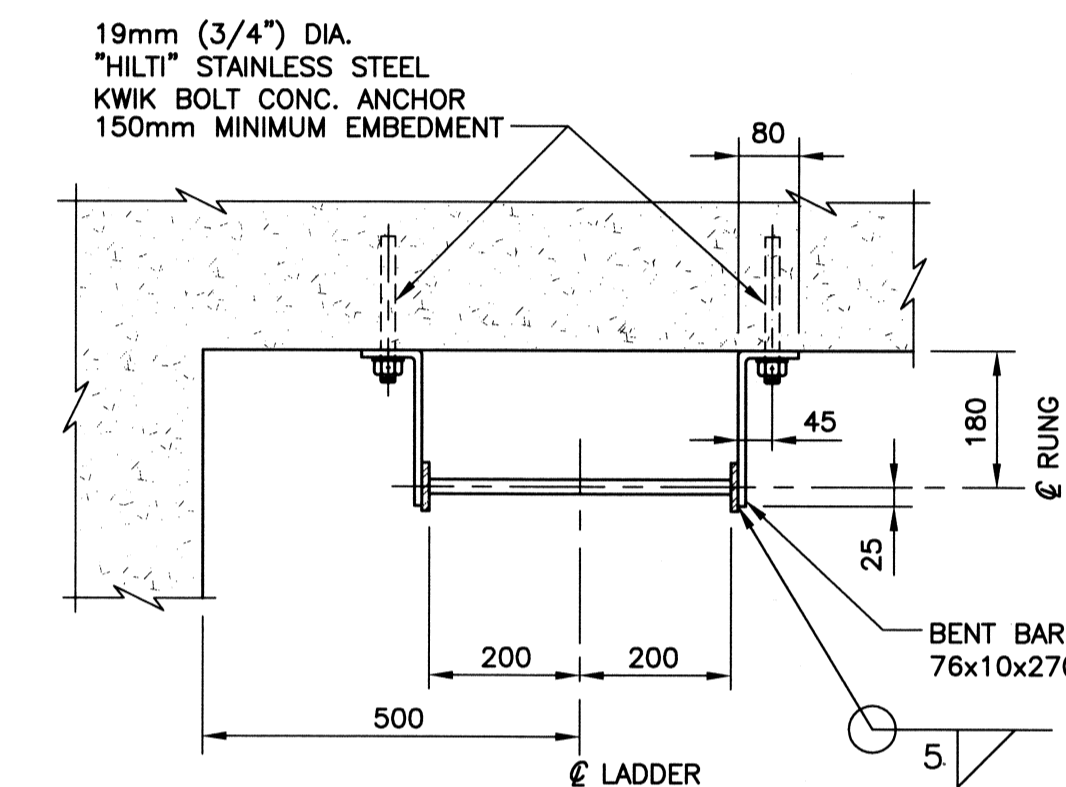


SECTION A-A
SCALE: 1:10



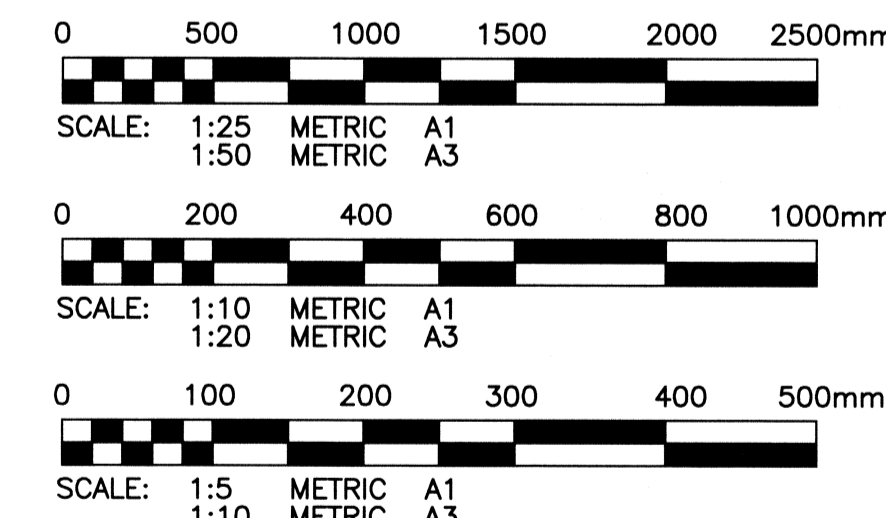
3
ELEVATION - LADDER
SCALE: 1:25

- NOTES:**
- MISCELLANEOUS METAL (CARBON STEEL)
 - STRUCTURAL AND MISCELLANEOUS STEEL FABRICATION AND ERECTION SHALL BE IN ACCORDANCE WITH CAN/CSA-S16.1-M89.
 - STRUCTURAL STEEL SHALL MEET THE REQUIREMENTS OF CAN/CSA-G40.20/G40.21-M92.
 - HSS, ROLLED SHAPES & PLATES CSA G40.21-350W
 - BOLTS, NUTS & WASHERS ASTM A325M
 - WELDING ELECTRODES CSA W48.1 M1980
 - WELDING SHALL BE IN ACCORDANCE WITH CSA W59-M1989, BY WELDERS CERTIFIED AND QUALIFIED IN ACCORDANCE WITH CSA W47.1-1983. ALL WELDS TO BE AS SHOWN ON THE DRAWING.
 - ALL MISCELLANEOUS METAL (CARBON STEEL) SHALL BE GALVANIZED UNLESS NOTED AS ALUMINUM OR STAINLESS STEEL.
 - GALVANIZING SHALL MEET THE REQUIREMENTS OF CAN/CSA G164-M92.
 - MISCELLANEOUS METAL (ALUMINUM)
 - ALL ALUMINUM CONFORMS TO THE ALUMINUM ASSOCIATION "SPECIFICATIONS FOR ALUMINUM STRUCTURES" LATEST ADDITION. ALUMINUM FOR PLATES TYPE 6061 - T651 (F_y = 240 MPa)
 - ALL ALUMINUM IN CONTACT WITH CONCRETE OR CAST INTO CONCRETE HAS BITUMINOUS ISOLATION COATING.
 - MISCELLANEOUS METAL (STAINLESS STEEL)
 - ALL NUTS, BOLTS AND ANCHORS CONFORM TO ASTM A276 TYPE #316 STAINLESS STEEL.

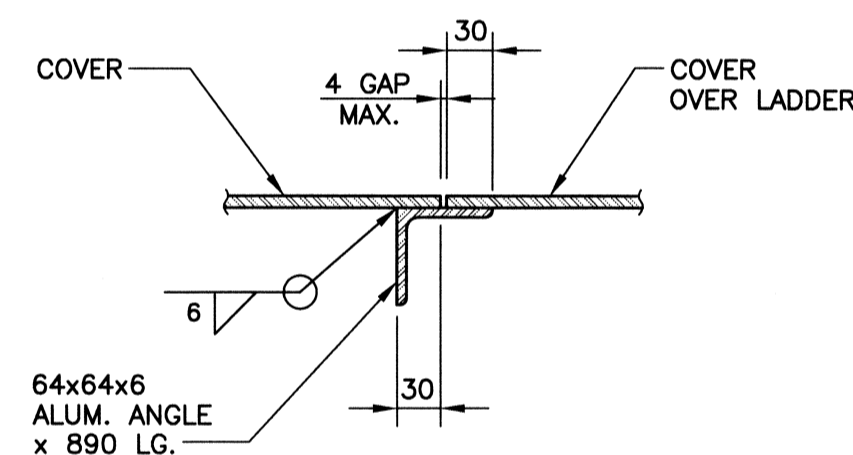


SECTION B-B
SCALE: 1:10

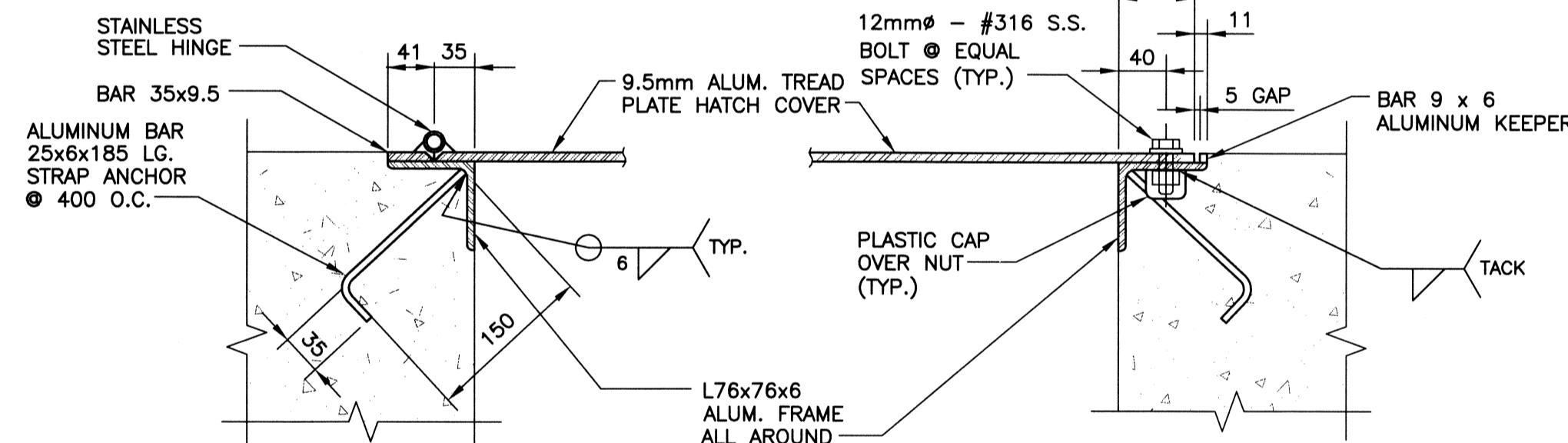
ALL MATERIAL SHOWN ON THIS DRAWING IS TO BE GALVANIZED UNLESS NOTED AS ALUMINUM OR STAINLESS STEEL.



METRIC
WHOLE NUMBERS INDICATE MILLIMETRES
DECIMALIZED NUMBERS INDICATE METRES

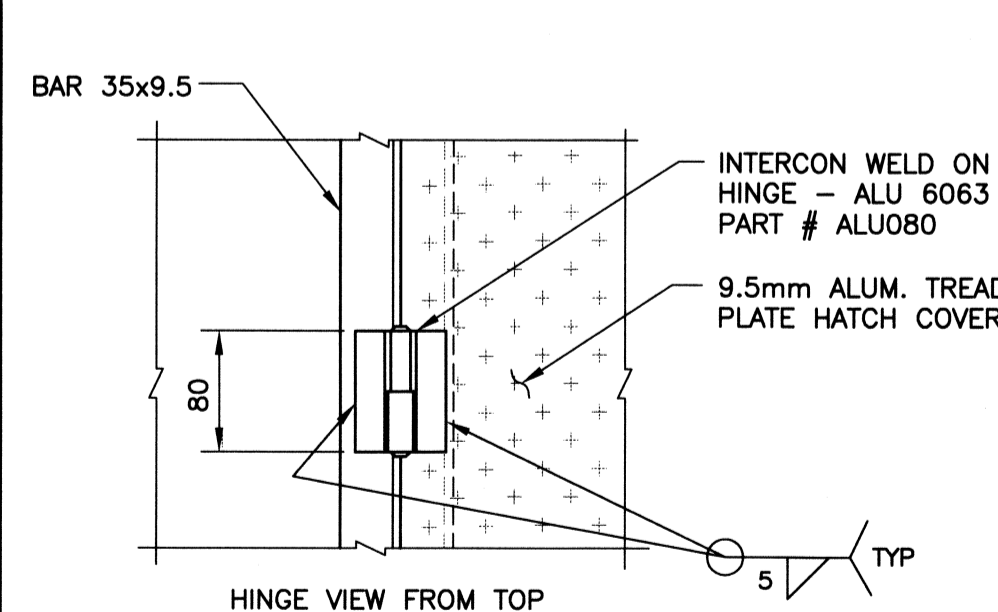


SECT. C
SCALE: 1:5

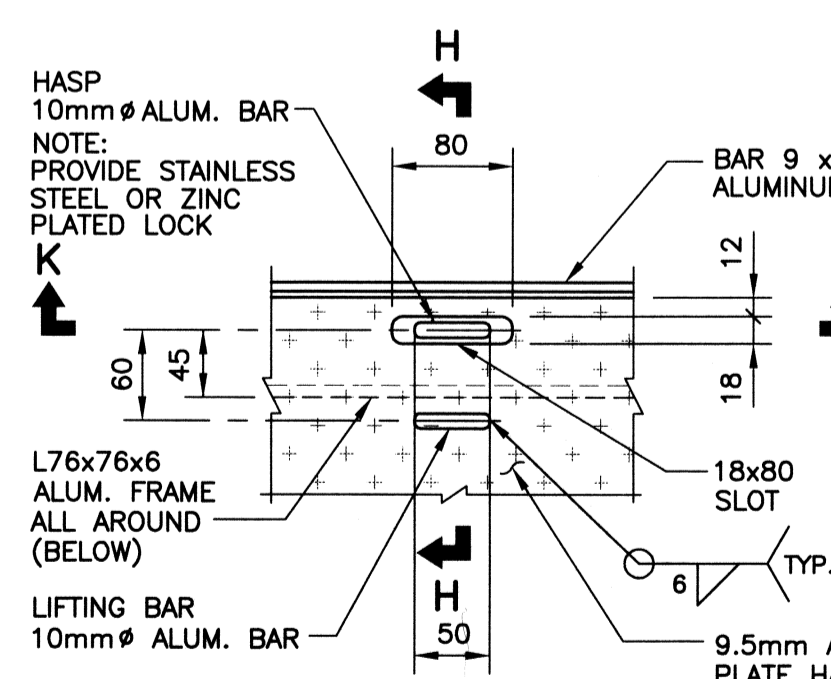


SECT. D
SCALE: 1:5

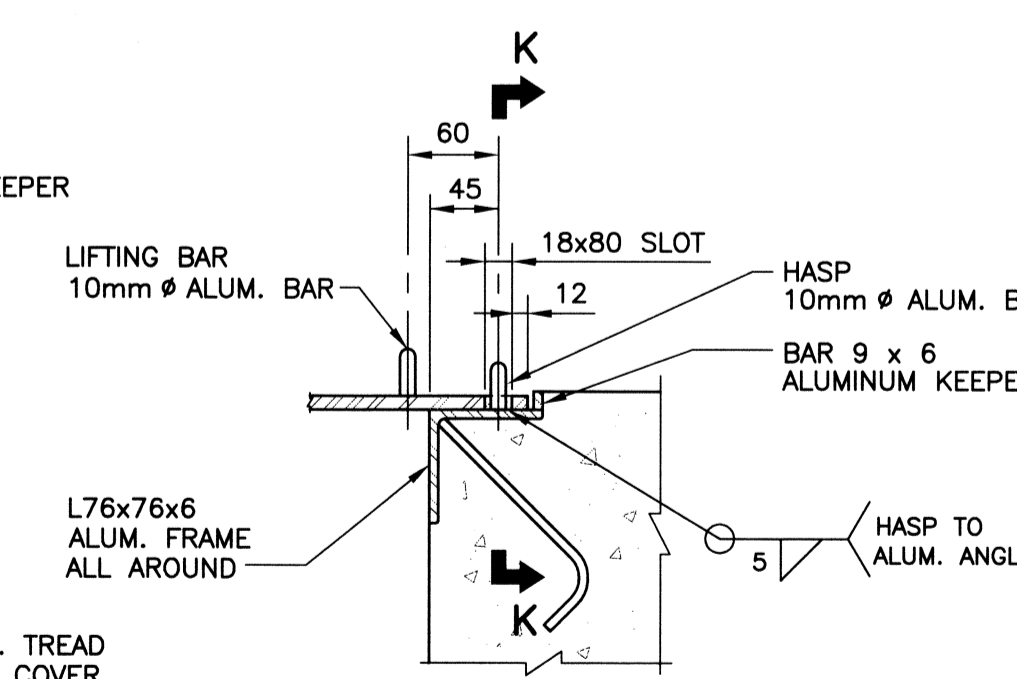
SECT. E
SCALE: 1:5



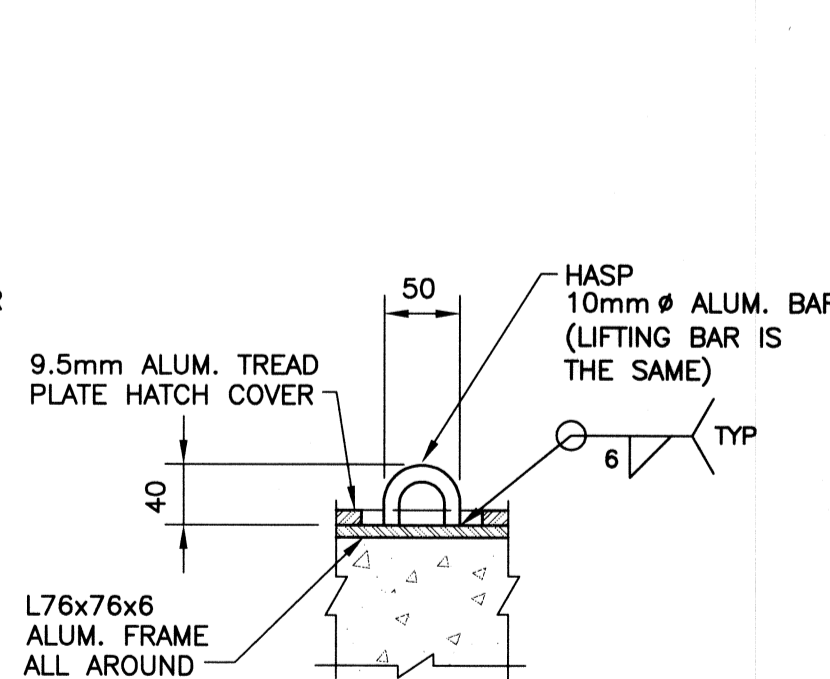
DETAIL F
SCALE: 1:5



DETAIL G (3 LOCATIONS)
SCALE: 1:5



SECTION H-H
SCALE: 1:5



SECTION K-K
SCALE: 1:5

LOCATION APPROVED
UNDERGROUND STRUCTURES

SUPV. U/G STRUCTURES COMMITTEE DATE
NOTE:
LOCATION OF UNDERGROUND STRUCTURES AS SHOWN ARE BASED ON THE BEST INFORMATION AVAILABLE BUT NO GUARANTEE IS GIVEN THAT ALL EXISTING UTILITIES ARE SHOWN OR THAT THE GIVEN LOCATIONS ARE EXACT. CONFIRMATION OF EXISTENCE AND EXACT LOCATION OF ALL SERVICES MUST BE OBTAINED FROM THE INDIVIDUAL UTILITIES BEFORE PROCEEDING WITH CONSTRUCTION.

KGS GROUP
CONSULTING ENGINEERS & PROJECT MANAGERS
WINNIPEG (204) 896-1298
THUNDER BAY (807) 345-2233

DESIGNED BY	RJL	CHECKED BY	RJL
DRAWN BY	JF	APPROVED BY	
HOR. SCALE:	1:250	RELEASED FOR CONSTRUCTION:	
VERTICAL:		DATE	
ISSUED FOR TENDER	03/12/07	BY	RJH
NO. REVISIONS		DATE	01/11/07

ENGINEER'S SEAL
PROVINCE OF MANITOBA
REGISTERED PROFESSIONAL ENGINEER
R.J. LONG

THE CITY OF WINNIPEG
WATER & WASTE DEPARTMENT

FORT ROUGE PARK
OUTFALL PIPE REPLACEMENT

CONCRETE WEIR STRUCTURE
MISCELLANEOUS METAL DETAILS

PROJECT COMPLETION DATE
SHEET 10 OF 10
CAD FILE DRAWING NUMBER 07-0107-08-10
CITY DRAWING NUMBER LD-3782