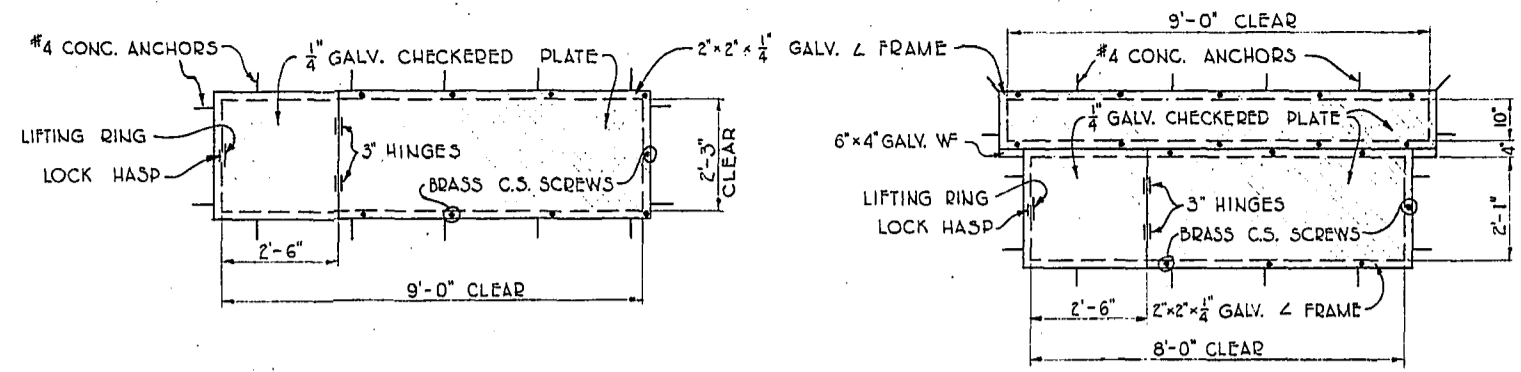


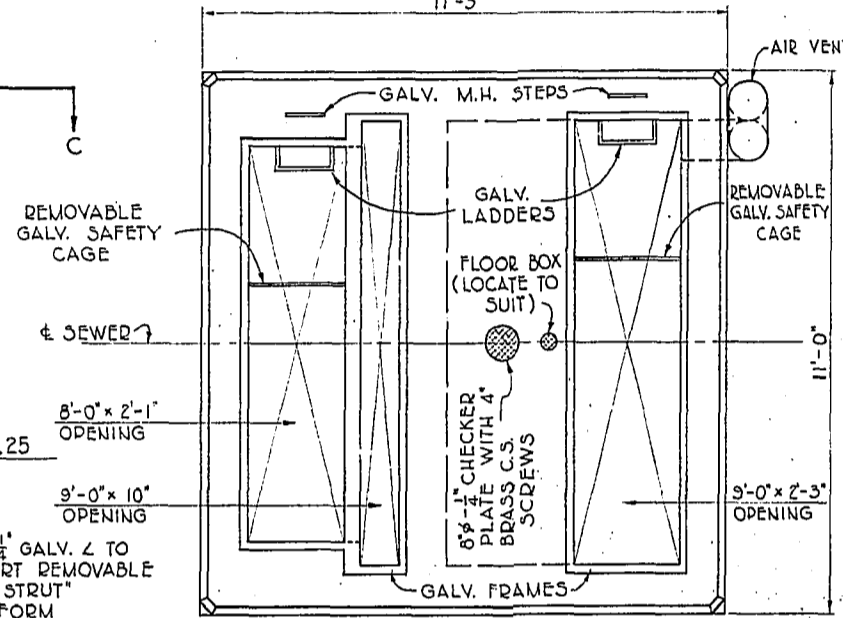
SECTION "A-A"

SECTIONAL ELEVATION

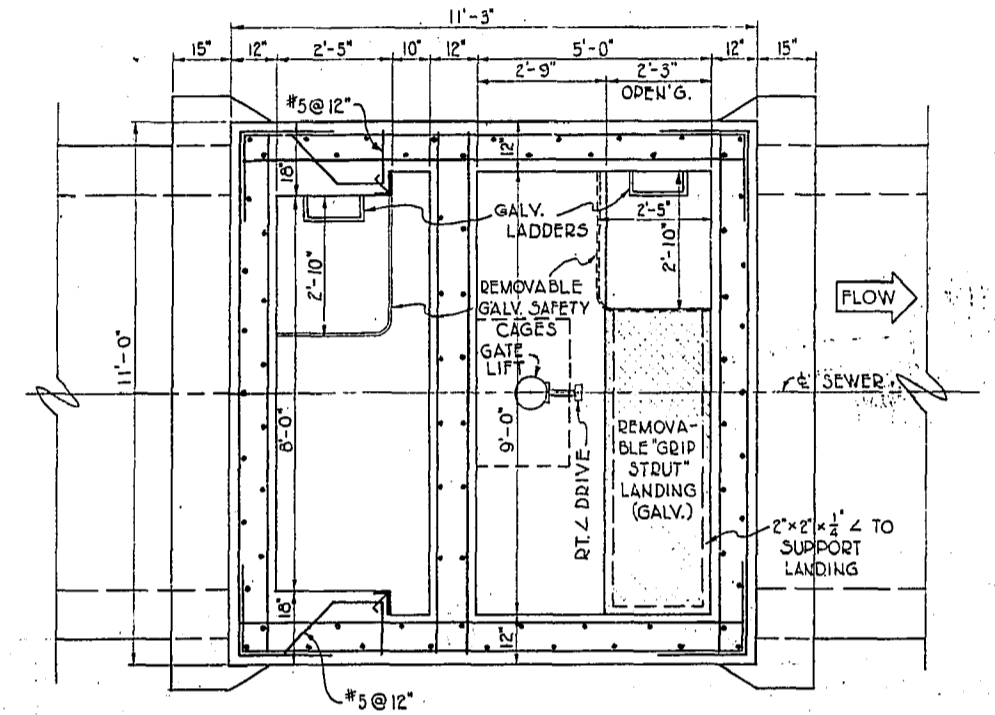


HATCH COVERS & FRAMES

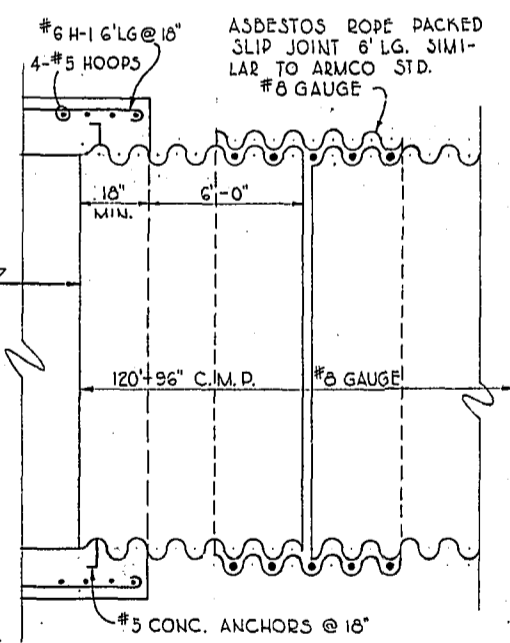
NOTE: ALL COVERS TO BE FLUSH WITH TOP OF CONCRETE AT EL. 32.25



TOP PLAN

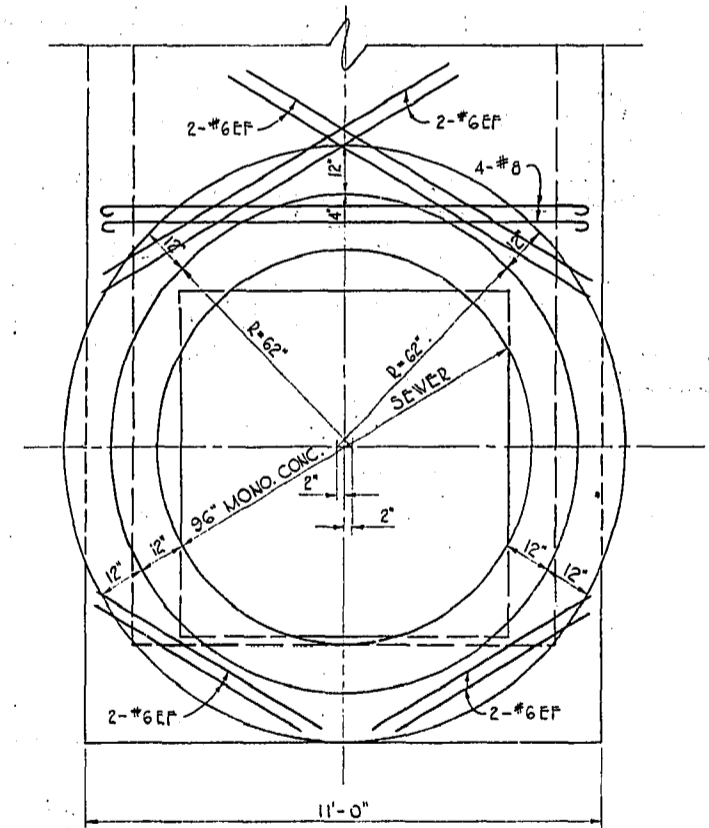


SECTION "C-C"



NOTES

1. ALL STEEL 2 1/2" CLEAR
2. FOR LOCATION SEE DWG. SC15745

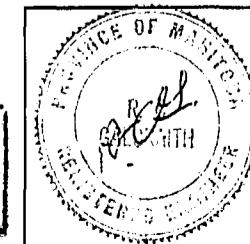


SECTION "B-B"

FILE: D-B-K

DIS. CODE #290-022-

WATERWORKS & WASTE
 GATE APRIL 28/66



DETAILS OF RIVER AV. STORM RELIEF GATE CHAMBER

CITY OF WINNIPEG
 ENGINEERING DEPARTMENT
 W. B. HURST, CITY ENGINEER
 J. S. STRICKLAND, DEPUTY CITY ENGINEER

DRAWN BY... DATE... APR 56
 TRACED BY...
 CHECKED BY...
 APPROVED BY...

SCALE
 1/2" = 1'-0"
 DRAWING NO.
 SC 15753