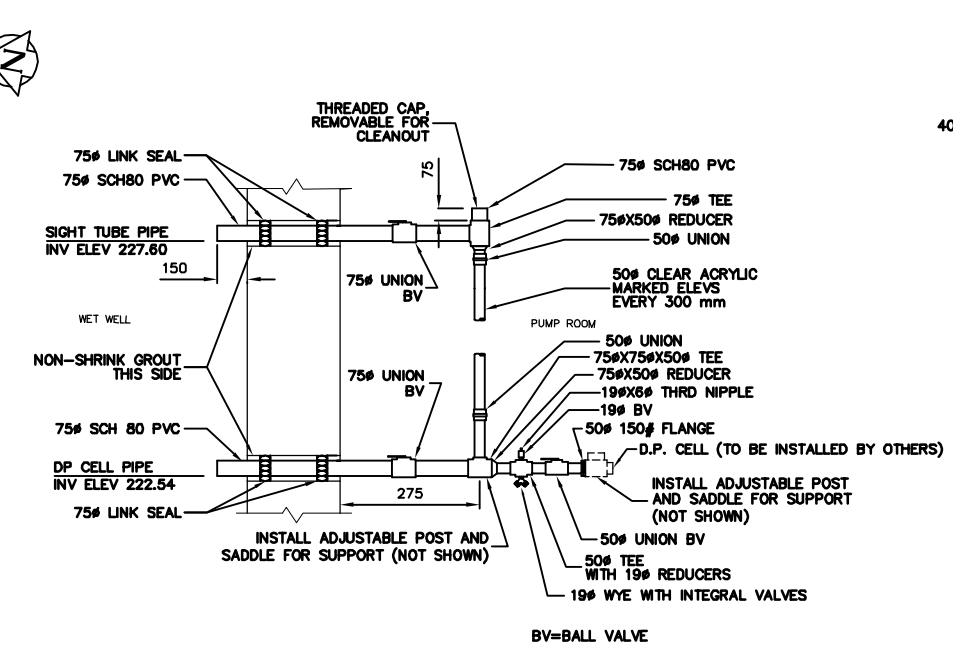
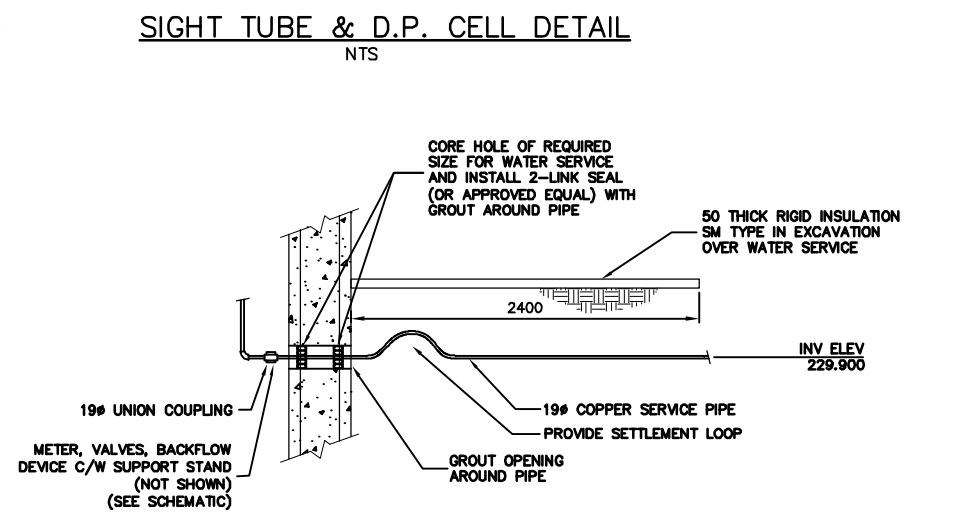


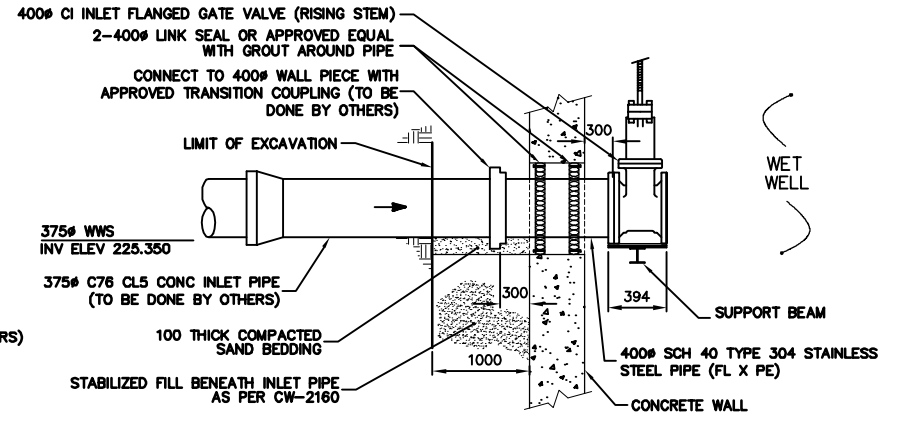
PLAN VIEW AT ELEV 228.950
SCALE 1:30



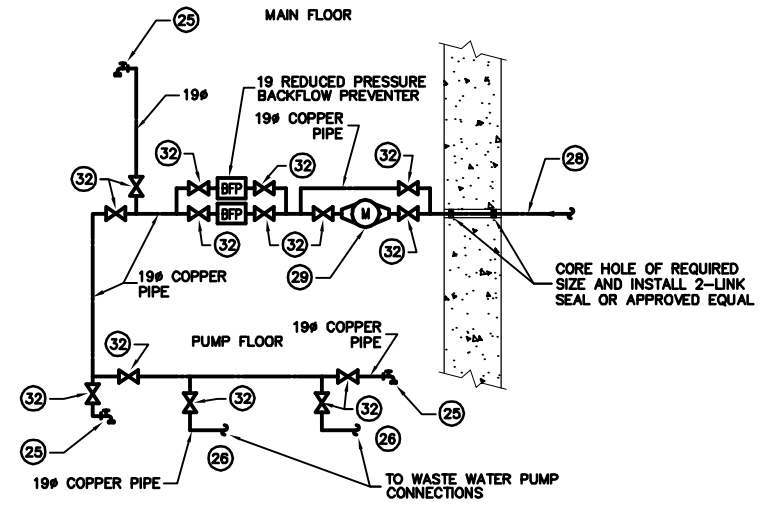
SIGHT TUBE & D.P. CELL DETAIL
NTS



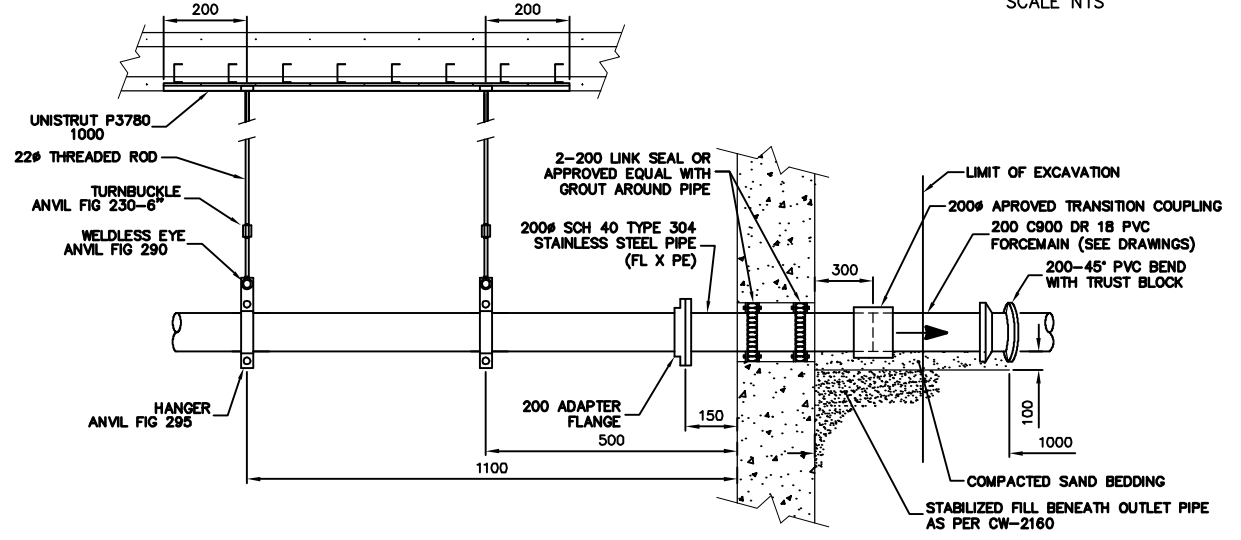
WATER SERVICE DETAIL
SCALE NTS



INLET PIPE DETAIL
SCALE NTS



WATER PIPING SCHEMATIC
SCALE NTS



FORCEMAIN CONNECTION AND PIPE HANGER DETAIL
SCALE NTS

ITEM	DESCRIPTION	ENDS	LENGTH	QUANTITY	NOTES
1	250# INLET PIPE	FL X PE	250	2	
2	250# GATE VALVE - RISING STEM	FL	330	2	
3	250# SEGMENT PIPE	FL X PE	180	2	
4	250 ADAPTER FLANGE	-	-	2	
5	CENTRIFUGAL WASTEWATER SEWAGE PUMP	FL	-	2	
6	150# SEGMENT PIPE	FL X PE	180	2	
7	150# CHECK VALVE WITH RUBBER FLAP	FL	356	2	
8	150# GATE VALVE - RISING STEM	FL	267	2	
9	150# CAST IRON 90° STD RAD BEND C/W BASE	FL	-	2	
10	150# SEGMENT PIPE	FL X PE	1100±	2	
11	150# 45° STD RAD BEND	FL	-	2	
12	150# SEGMENT PIPE	FL X FL	734±	2	
13	150 X 150 X 150 WYE	FL	-	1	
14	200# SEGMENT PIPE	FL	1320±	1	
15	200 X 150 CAST IRON CONCENTRIC REDUCER	FL	280±	1	
16	200# ROSEMOUNT FLOWMETER	FL	350	1	
17	200# SEGMENT PIPE	FL X PE	400	1	
18	200# CAST IRON 90° STD RAD BEND	FL	-	1	
19	200# SEGMENT PIPE	FL X PE	1740±	1	
20	200# GATE VALVE - RISING STEM	FL	-	1	
21	150# ADAPTER FLANGE	-	-	2	
22	38 - 50 SUMP PUMP C/W FLOAT SWITCH	-	-	1	
23	200# ADAPTER FLANGE	-	-	3	
24	200# SCH 40 TYPE 304 SS PIPE SEGMENT	FL X PE	850±	1	
25	12 HOSE BIBB C/W B.F.P.	-	-	3	
26	19# COPPER PIPE	-	AS REQ'D	-	
27	400# SCH 40 TYPE 304 SS PIPE SEGMENT	FL X PE	1000±	1	
28	19# COPPER WATER SERVICE	-	-	1	
29	19# WATER METER (PROVIDED BY CITY)	-	-	1	
30	50# SUMP DISCHARGE	-	-	-	
31	375#-400# APPROVED TRANSITION COUPLING (BY OTHERS)	-	-	1	
32	19# BRASS GLOBE VALVES	UNION	-	14	

NOTE: LENGTHS SHOWN AS ± TO BE FIELD CONFIRMED BY CONTRACTOR

B.M. ELEV.	FIELD BOOK #:	CITY OF WINNIPEG WATER AND WASTE ENGINEERING DIVISION	ENGINEER'S SEAL	THE CITY OF WINNIPEG WATER AND WASTE DEPARTMENT
POSTED TO LBIS			ORIGINAL SIGNED BY S.R.J. COURNOYER 08/03/11	
		DESIGNED BY SC CHECKED BY TW DRAWN BY CJH APPROVED BY KZ	HOR. SCALE AS SHOWN RELEASED FOR CONSTRUCTION SIGNED BY K. ZUREK	BID OPPORTUNITY: 892-2007 FILENAME: 07599.dwg PLOT DATE: 2008 03 11
1	REVISED INLET GATE VALVE & WALL PIECE DIAMETER	08.03.11	SC	DUGALD ROAD WASTEWATER PUMPING STATION MECHANICAL PIPING PLAN VIEWS & DETAILS
NO.	REVISIONS	DATE	BY	SHEET 14 OF 14 CITY DRAWING NUMBER 07599

METRIC
WHOLE NUMBERS INDICATE MILLIMETRES
DECIMALIZED NUMBERS INDICATE METRES