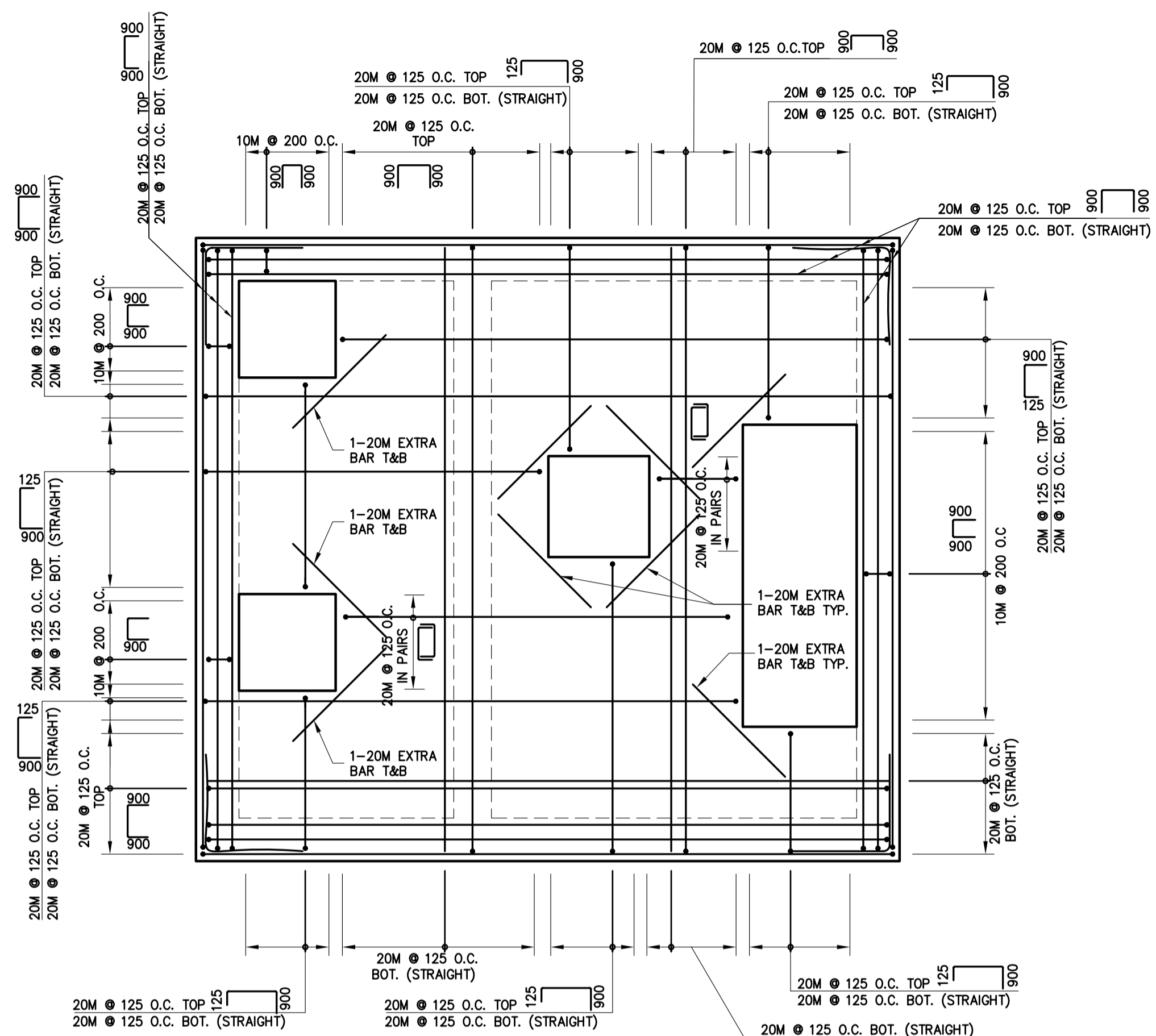
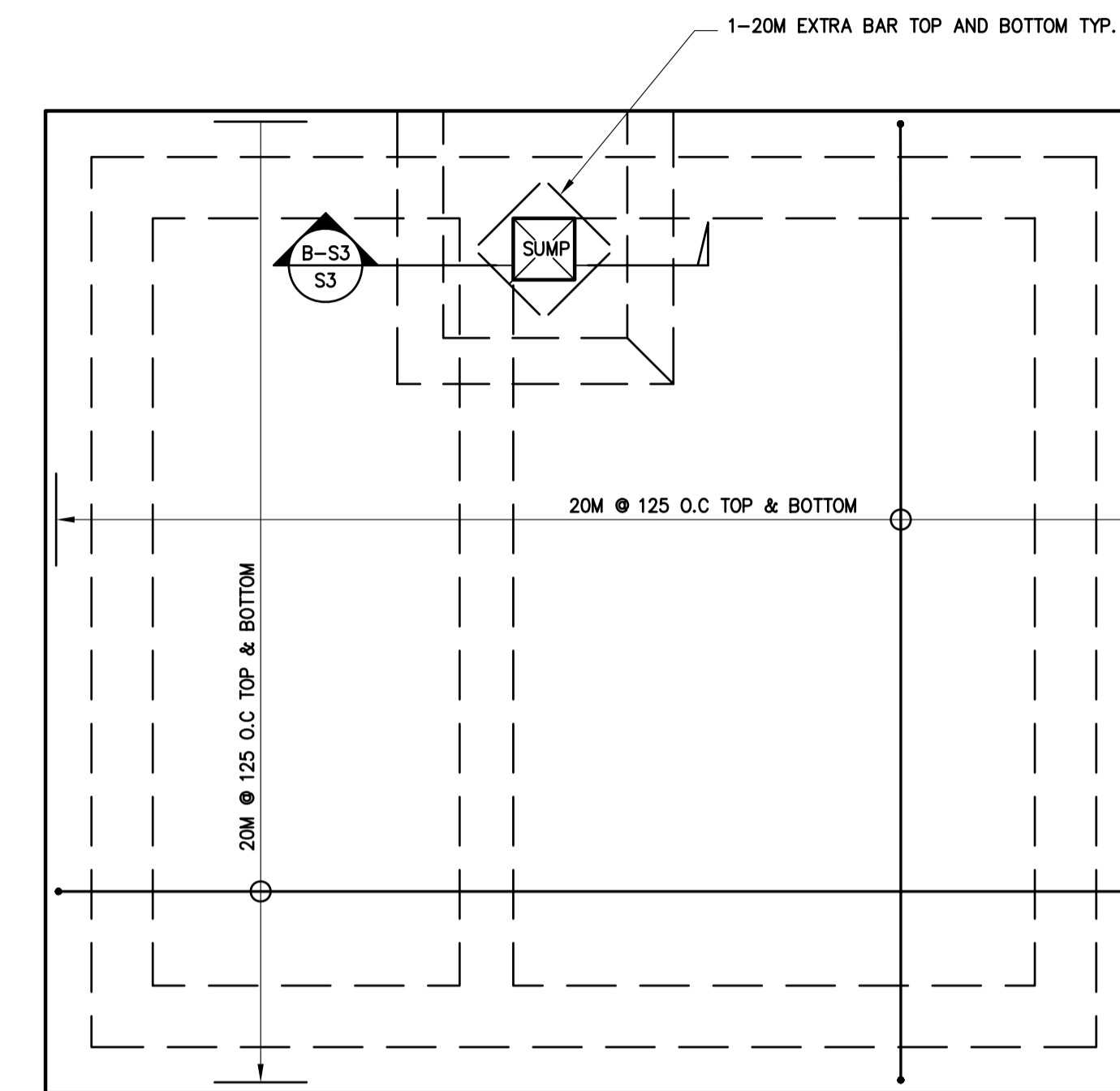


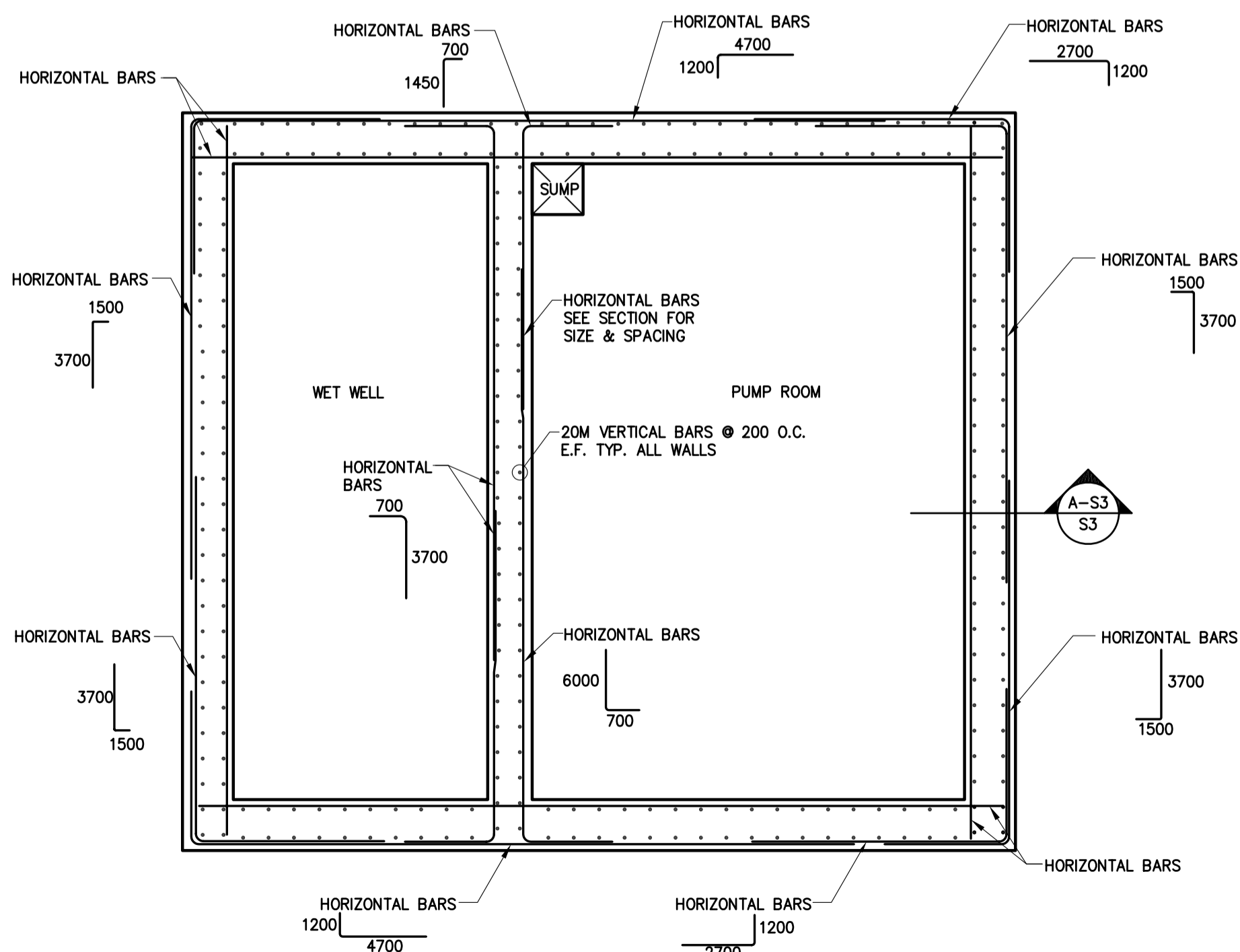
SECTION A-S3
S3
1:40



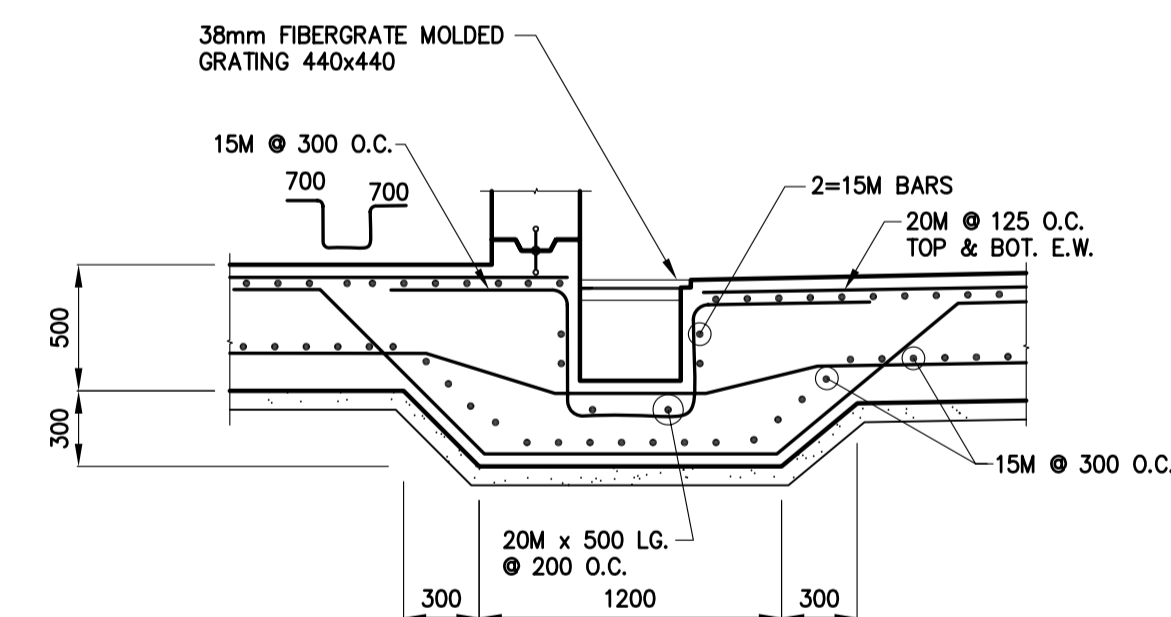
ROOF REINFORCING PLAN
1:40



FLOOR REINFORCING PLAN
1:40



WALL REINFORCING PLAN
1:40



SECTION B-S3
S3
1:30

METRIC

WHOLE NUMBERS INDICATE MILLIMETRES
DECIMALIZED NUMBERS INDICATE METRES

APEGM
Certificate of Authorization
MMM GROUP Limited
No. 4317 Date: 08.02.11

A-B
C
A = DETAIL/SECTION No.
B = DRAWING WHERE SHOWN
C = DRAWING WHERE TAKEN

NO.	REVISIONS	DATE	BY
1	-	-	-

MMM GROUP
MMM GROUP Limited
Suite 111 - 93 Lombard Ave.
Winnipeg, MB R3B 3B1
T. 204.943.3178
F. 204.943.4948
www.mmm.ca

DESIGNED BY: GK	CHECKED BY: JPL
DRAWN BY: TR	APPROVED BY: -
HOR. SCALE: AS SHOWN	RELEASED FOR CONSTRUCTION: SIGNED BY K. ZUREK
DATE: 2008 02 11	DATE: 08/02/13

ENGINEER'S SEAL
ORIGINAL SIGNED BY: G.M. KING
DATE: 08/02/11
BID OPPORTUNITY: 892-2007
PLOT DATE: 2008 02 11

THE CITY OF WINNIPEG
WATER AND WASTE DEPARTMENT
Winnipeg

DUGALD ROAD WASTEWATER PUMPING STATION
STRUCTURAL REINFORCING DETAILS

CONSULTANT DRAWING NUMBER: S3
SHEET 11 OF 14
CITY DRAWING NUMBER: 7510