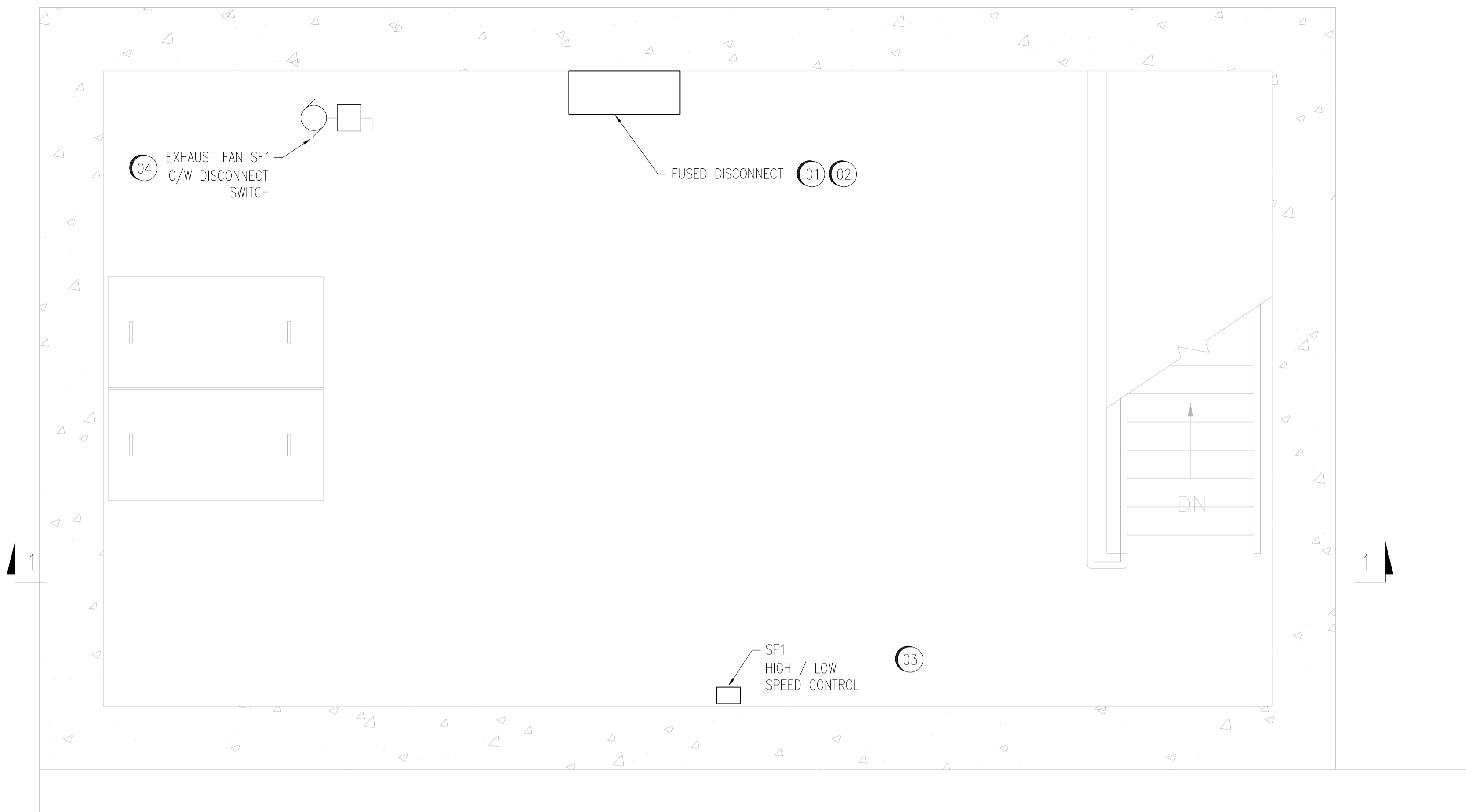


CSA C22.1-06 CODE REVIEW:

1. THIS FACILITY IS CLASSIFIED AS A SEWAGE "LIFT STATION" (DRY WELL) AND IS SUBJECT TO THE REQUIREMENTS UNDER THE CEC SECTION 22-704.
2. THE DESIGN HEREIN IS BASED ON THE REQUIREMENT THAT THE DRY WELL WILL HAVE 6 CONTINUOUS POSITIVE PRESSURE AIR CHANGES PER HOUR. VENTILATION WILL COMPLY WITH NFPA 820 AND THE CANADIAN ELECTRICAL CODE. WITH THIS UNDERSTANDING, AND AS PER CEC 22-704 (5) THE FACILITY WILL BE CLASSIFIED AS AN "ORDINARY", NON-HAZARDOUS LOCATION. SUPPLY AND INSTALL ALL CABLING AND MATERIALS AS NECESSARY FOR A COMPLETE AND FUNCTIONING SYSTEM ACCORDINGLY TO MEET AIR CHANGE VENTILATION REQUIREMENTS AS SPECIFIED IN THE TENDER DOCUMENTS.

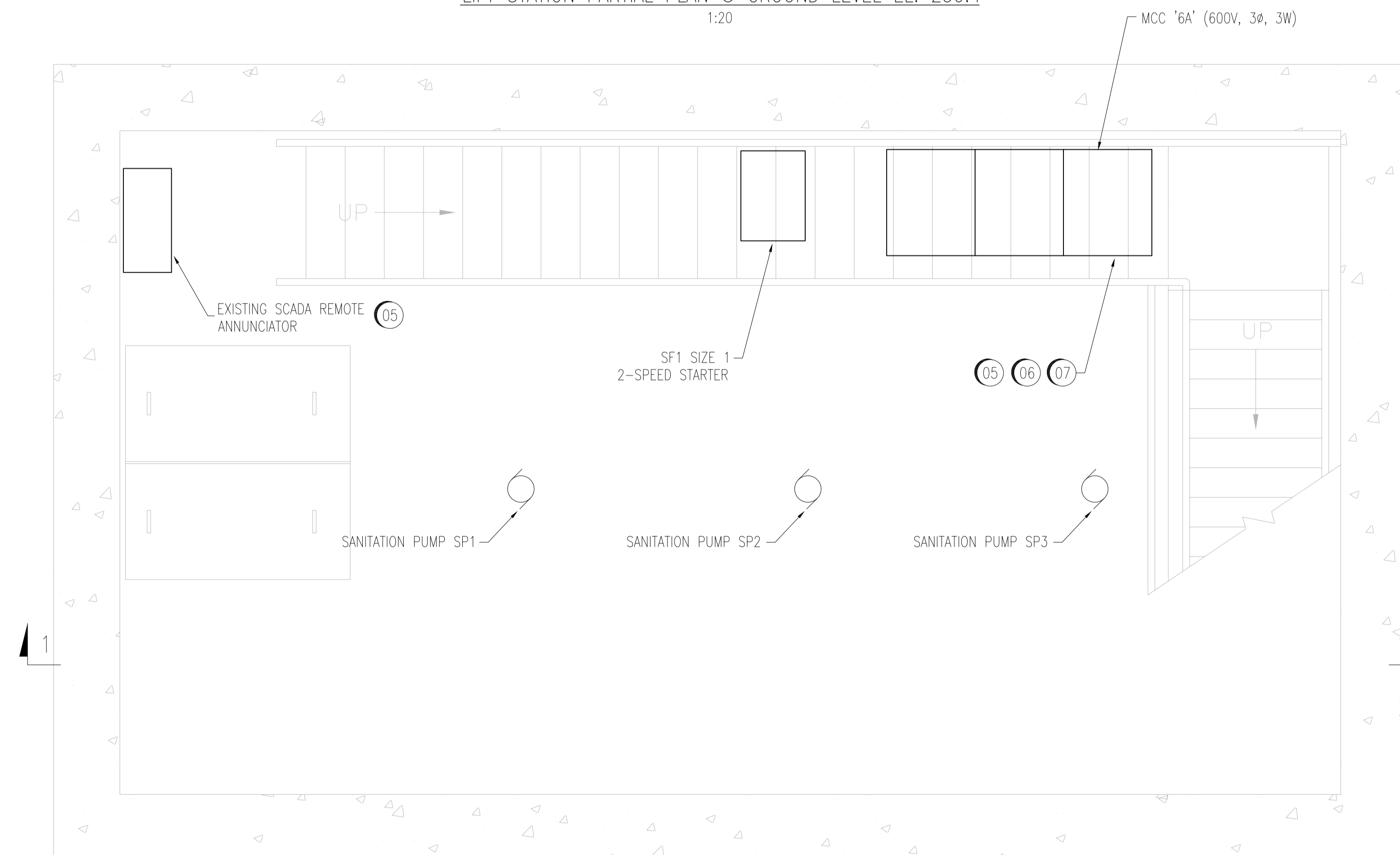
SPECIFIC NOTES:

- 01 EXISTING 200A FUSED DISCONNECT TO BE REMOVED AND RETURNED TO THE OWNER.
- 02 SUPPLY AND INSTALL NEW 600A, 600V, 3Ø, 4W, SERVICE ENTRANCE RATED FUSED DISCONNECT AT SAME LOCATION.
- 03 SUPPLY AND INSTALL HIGH / LOW SPEED SELECTOR SWITCH IN NEMA 4X JUNCTION BOX ADJACENT TO ENTRANCE DOOR. THE DOOR IS LOCATED AT APPROXIMATELY THIS LOCATION AT GROUND LEVEL (NOT SHOWN).
- 04 COMPLETE DEMOLITION OF EXISTING EXHAUST FAN. REMOVE CABLING AND ASSOCIATED CONTROL. SUPPLY AND INSTALL NEW CABLING TO NEW EXHAUST FAN.
- 05 SUPPLY AND INSTALL 6 PAIR, #16 AWG TSP, CIC, CU, IN 21mm CONDUIT FROM MCC CONTROL / ALARMS SECTION TO SCADA REMOTE ANUNCIATOR. TAG UN-USED PAIRS AS "SPARE".
- 06 SUPPLY AND INSTALL THE NEW MCC AND ALL ASSOCIATED CABLING AND MATERIALS AS NECESSARY FOR A COMPLETE AND FUNCTIONING SYSTEM.
- 07 SUPPLY AND INSTALL CABLING FROM EXISTING LEVEL TRANSMITTER AND TERMINATE IN NEW MCC CONTROL SECTION.



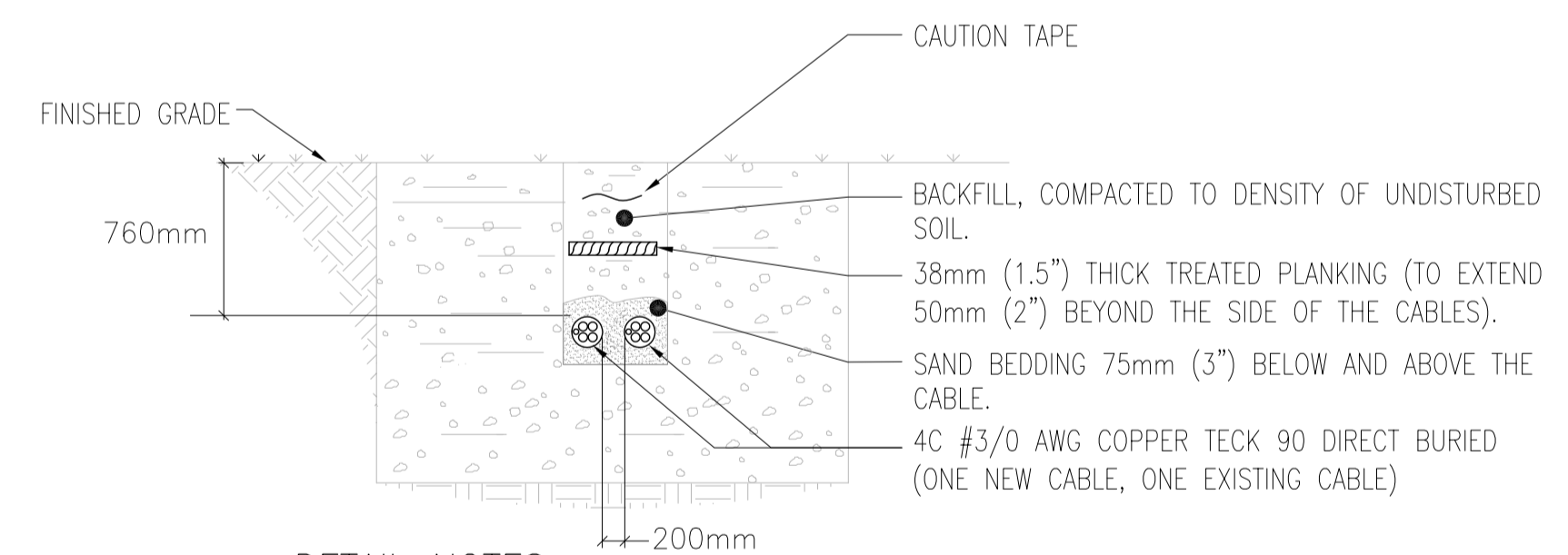
LIFT STATION PARTIAL PLAN @ GROUND LEVEL EL. 230.4

1:20



LIFT STATION PARTIAL PLAN @ EL. 223.6

1:20



DETAIL NOTES:

1. WATER WASH EXCAVATE EXISTING TRENCH, AND MODIFY TRENCH TO BE AS SHOWN IN THIS DETAIL. PROVIDE ALL ITEMS AS REQUIRED.

DETAIL B: LIFT STATION SERVICE CABLE TRENCH

SCALE: NTS



2007 PUMPING STATION UPGRADES
INSTALLATION OF NEW PUMPING UNITS
AND MODIFICATIONS TO THE
BALTIMORE WASTEWATER PUMPING STATION
LIFT STATION PLAN AND DETAILS

B.M. ELEV.	FIELD BOOK #:	SNC • LAVALIN Engineers & Constructors		SNC • LAVALIN 148 Nature Park Way Winnipeg, Manitoba Canada R2P 0X7		ENGINEER'S SEAL
POSTED TO LBIS		DESIGNED BY D.E.BECKER	CHECKED BY C. ASMUNDSON			
		DRAWN BY D.E.BECKER	APPROVED BY			
		HOR. SCALE AS SHOWN	RELEASED FOR CONSTRUCTION			
00 ISSUED FOR TENDER	07/12/11	BDK	DATE 2007/04/12	DATE		
NO. REVISIONS	DATE	BY	FILENAME: 06798.dwg			

BID OPPORTUNITY
905-2007

CITY DRAWING NUMBER	SHEET	REV.	SIZE
06798 5 OF 16	5	00	D