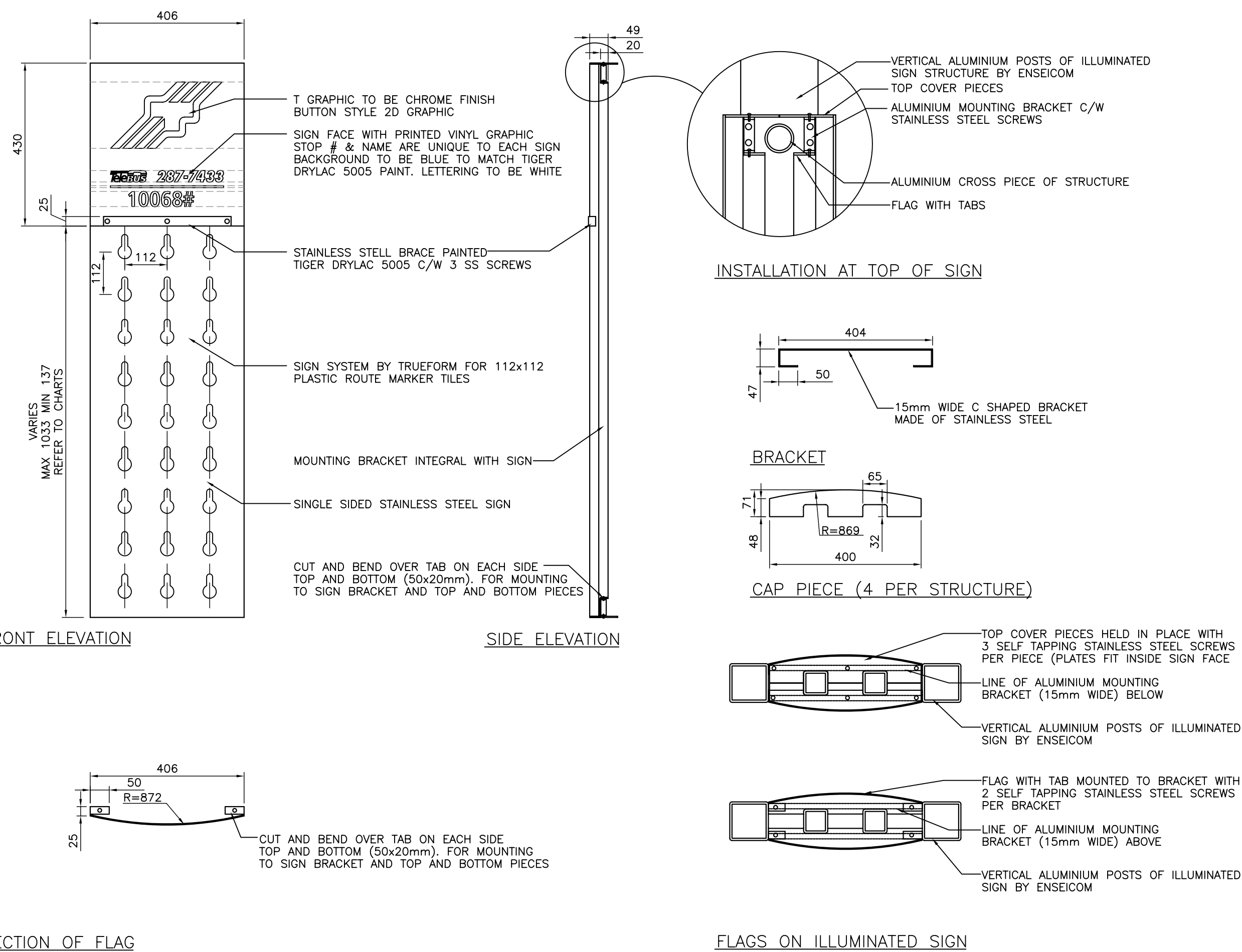
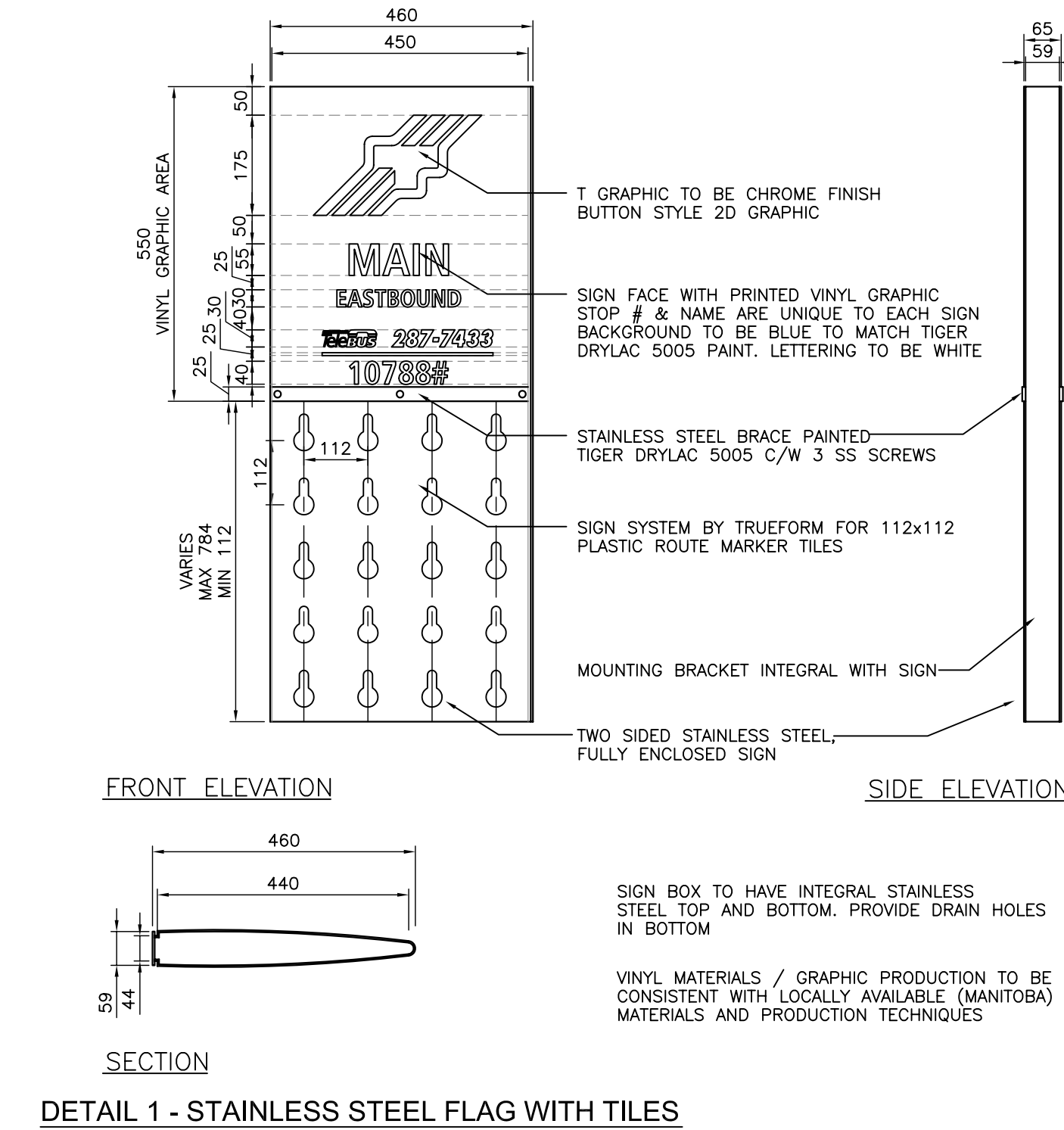


FLAG WITH 4-20 TILES ON STANDARD HEIGHT POST

TRANSIT TERMINAL FLAGS ON STANDARD HEIGHT POST

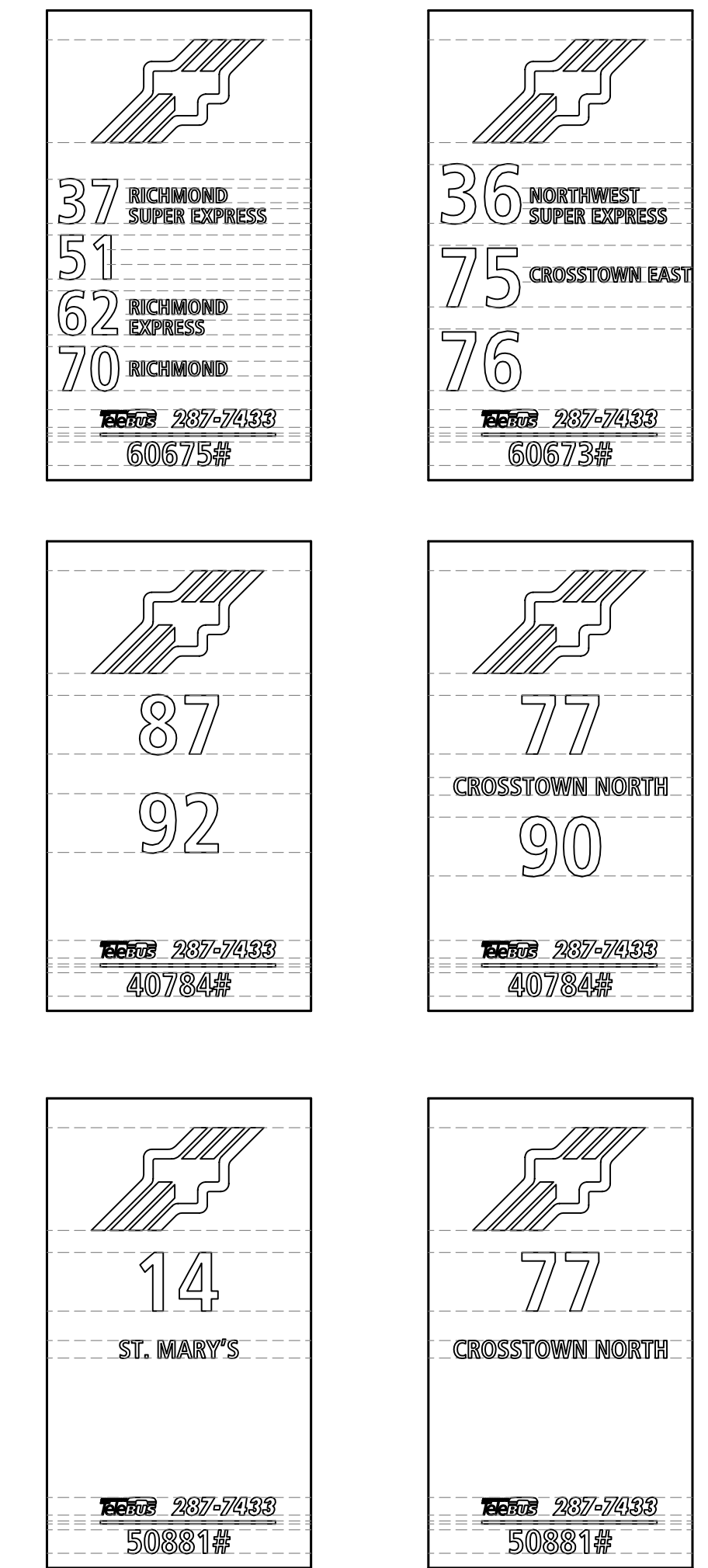


DETAIL 4 - STAINLESS STEEL FLAG WITH TILES FOR ILLUMINATED SIGN

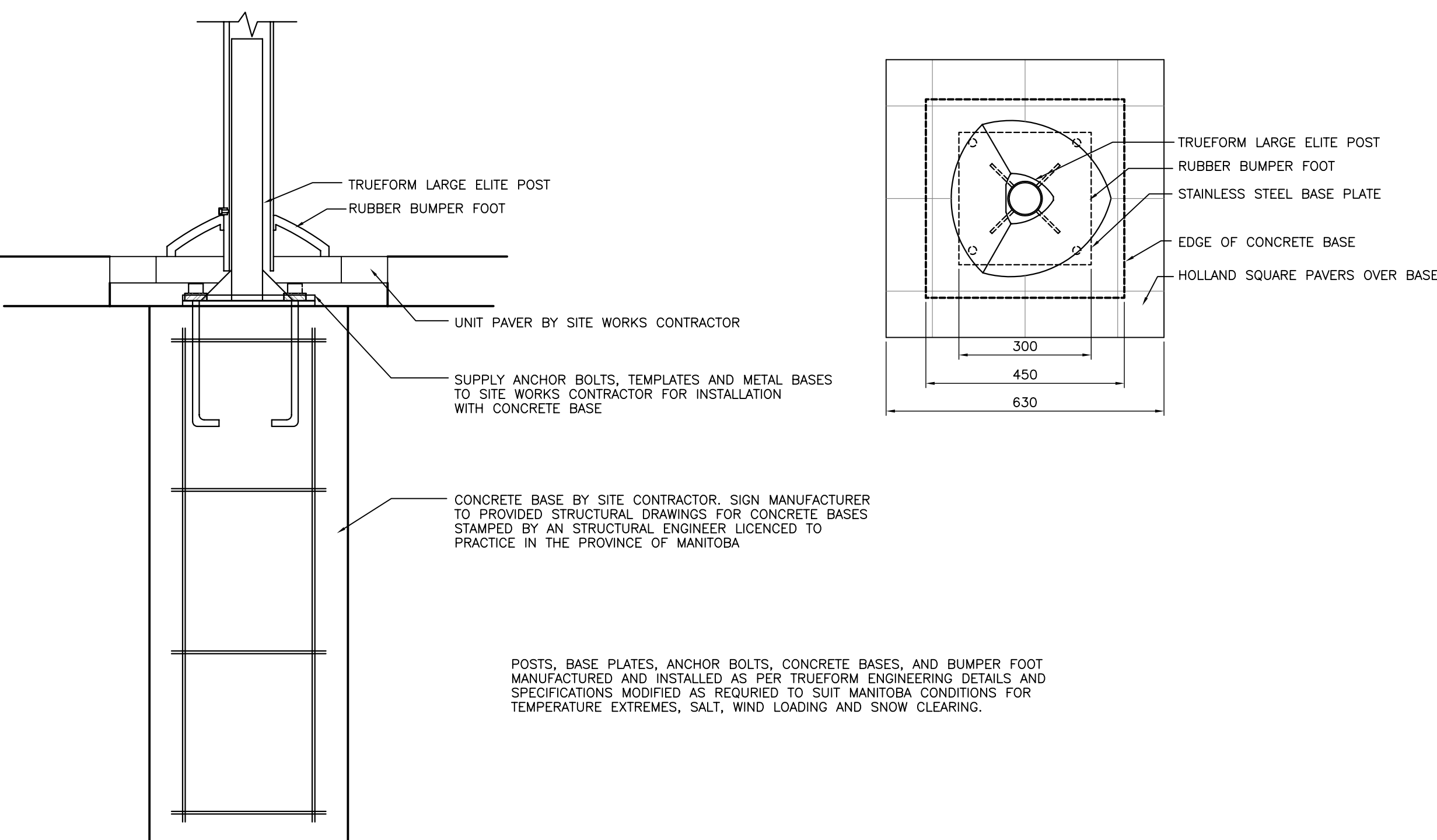


DETAIL 1 - STAINLESS STEEL FLAG WITH TILES

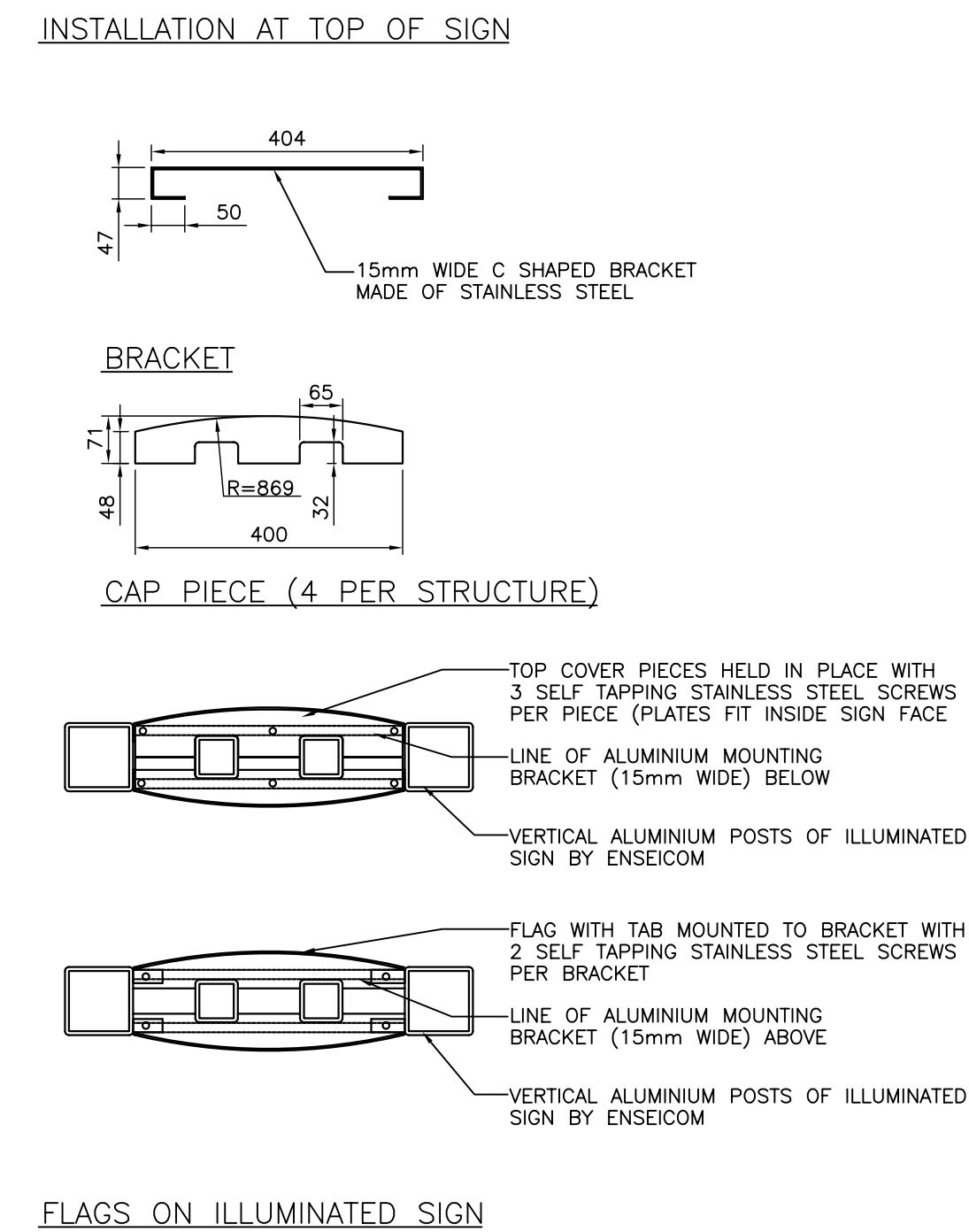
DETAIL 2 - STAINLESS STEEL FLAG FOR TERMINALS



TYPICAL SIGN FACES FOR TERMINALS



DTEAL 3 - ELITE POLE FOUNDATION SOCKET IN CONCRETE BASE



FLAGS ON ILLUMINATED SIGN

NOT FOR CONSTRUCTION  
ALL DIMENSIONS PROVIDED FOR INFORMATION ON DESIGN INTENT.

CONTACTOR TO SUPPLY SHOP DRAWINGS STAMPED BY A STRUCTURAL ENGINEER LICENSED TO PRACTICE IN THE PROVINCE OF MANITOBA WITH EXTENSIVE EXPERIENCE IN THE DESIGN & MANUFACTURING OF ALUMINIUM SIGNS AND STRUCTURES FOR PUBLIC TRANSIT. SHOP DRAWINGS TO INCLUDE WALL THICKNESSES, MATERIALS ETC. AS LISTED IN THE SPECIFICATIONS.

No.	Revisions	Date	By
Date Scale			
17-12-07		1:10	
Designed By	Drawn By	Checked By	
JW/SR	JW	BM/AR	

**McGOWAN RUSSELL**  
Client

**WINNIPEG TRANSIT**  
Project Title

**WINNIPEG TRANSIT BUS STOP SIGNAGE SYSTEM - PHASE 2**  
Sheet Title

**BUS STOP FLAGS & ELITE POSTS**

Project No. 06-029 Drawing No. LS-1