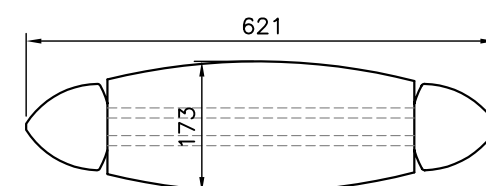
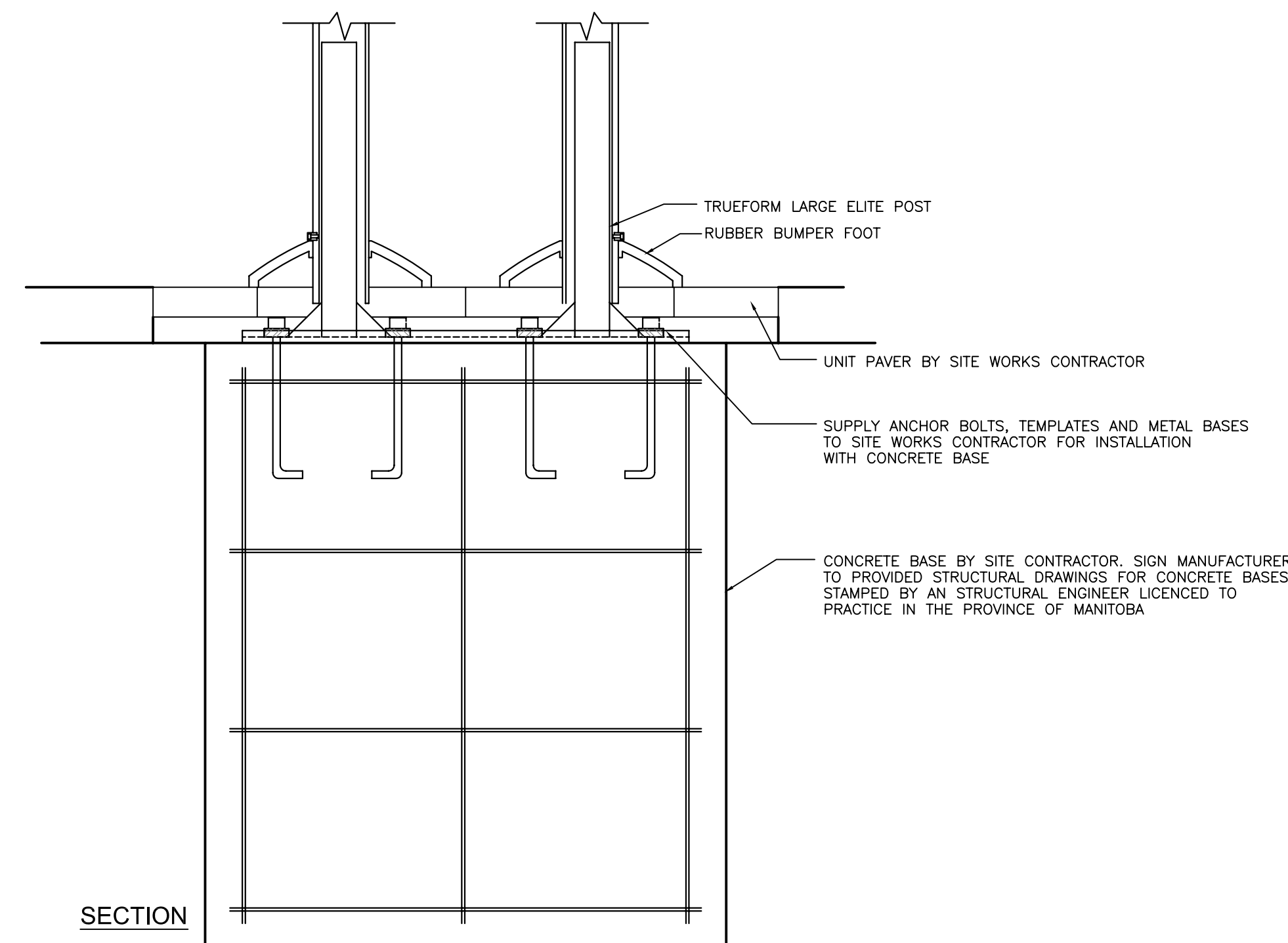


FRONT ELEVATION

SIDE ELEVATION

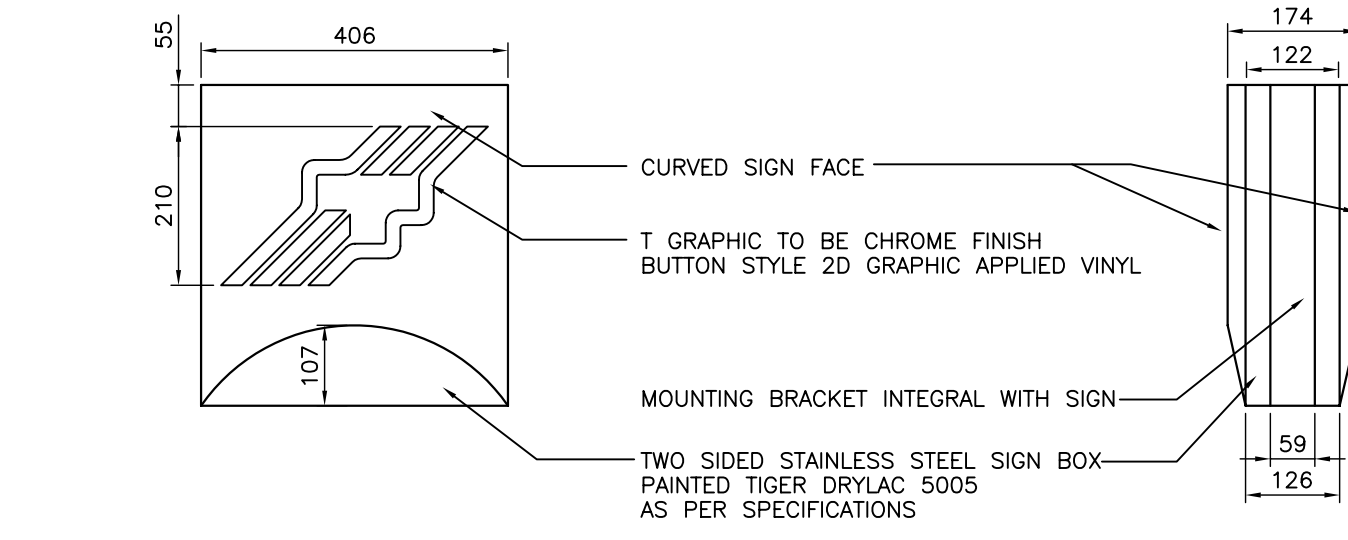


PLAN



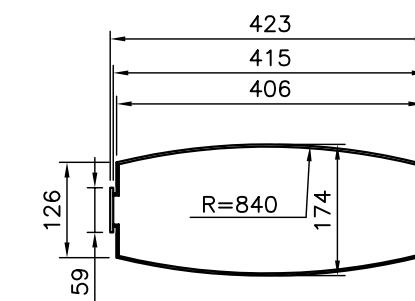
SECTION

DETAIL 11 - BASE CONNECTION



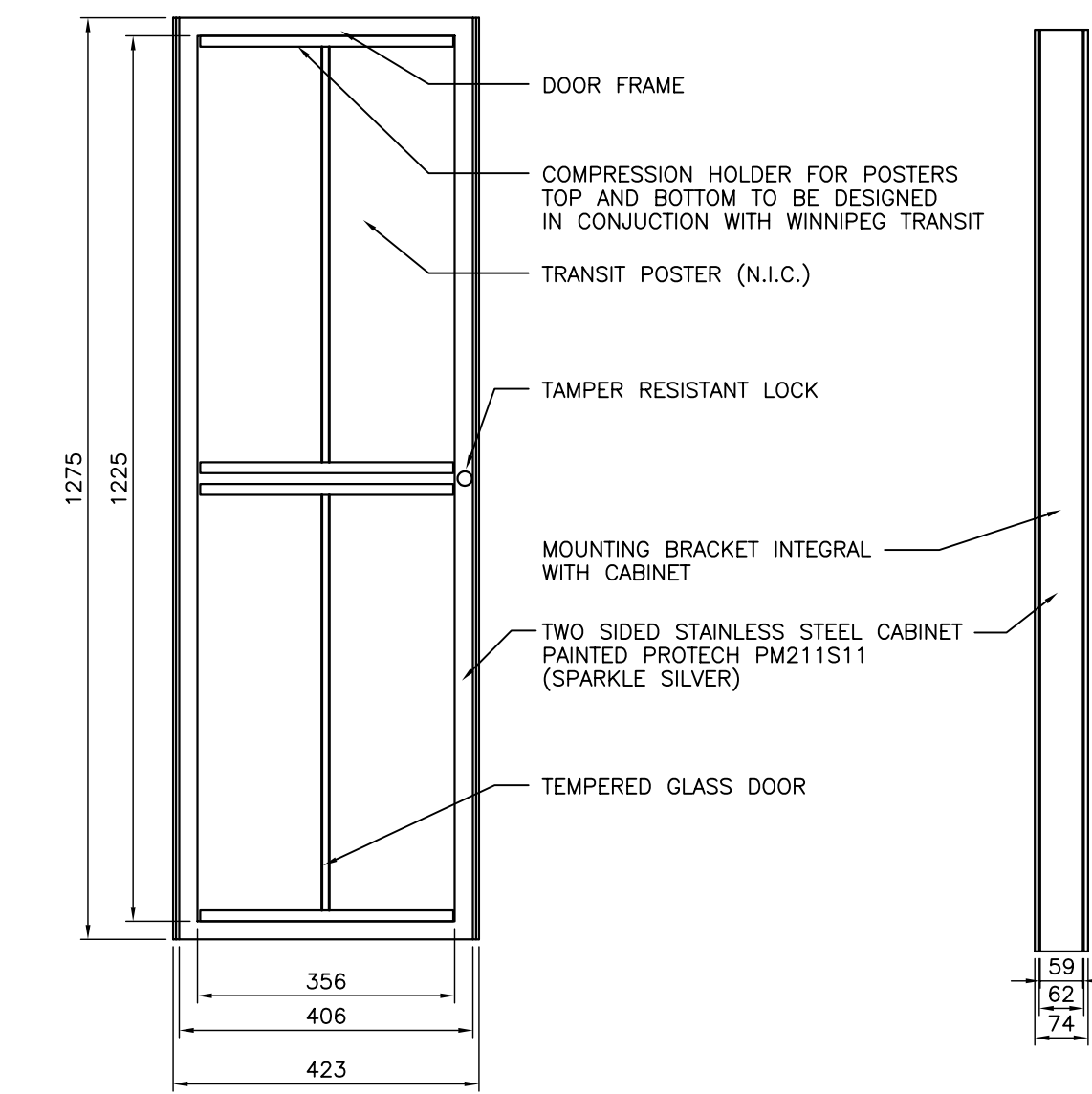
FRONT ELEVATION

SIDE ELEVATION



SECTION

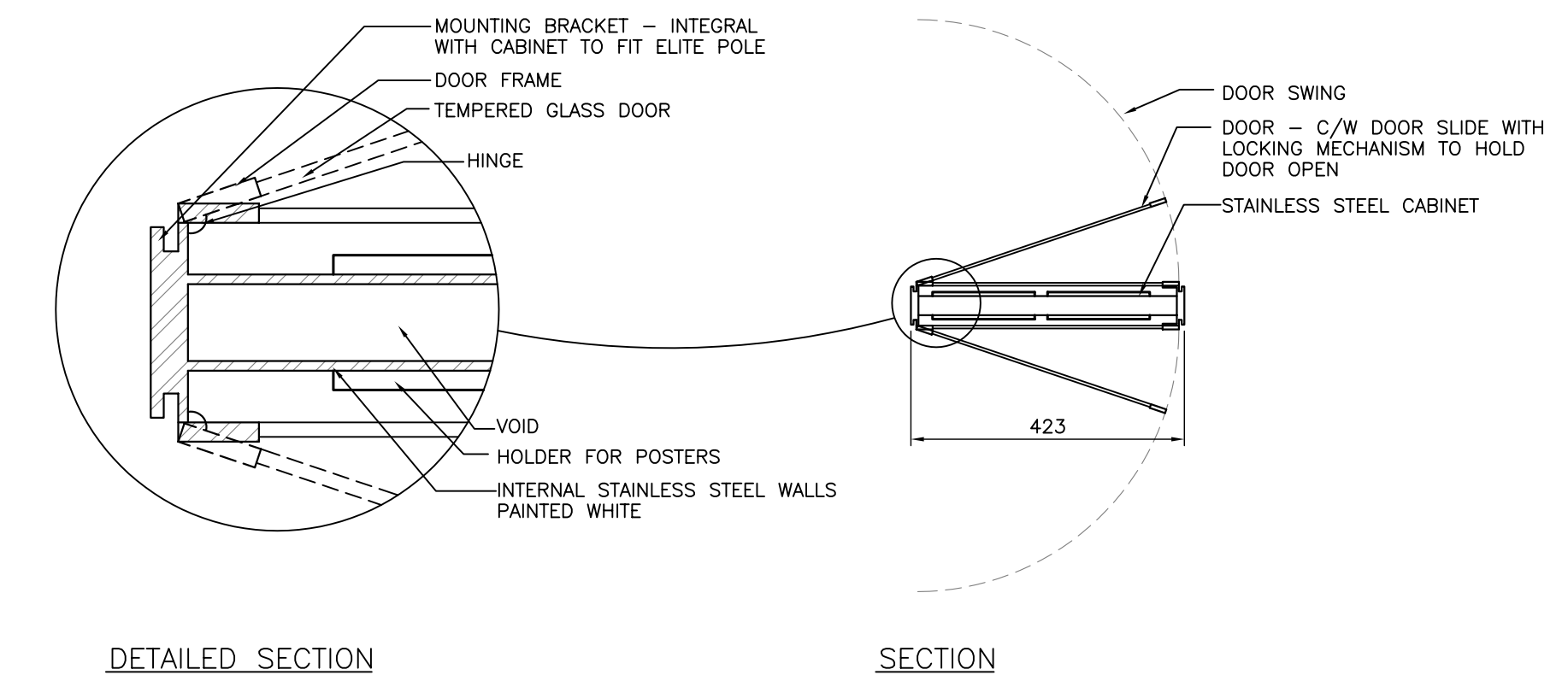
DETAIL 9 - ILLUMINATED SIGN BOX



FRONT ELEVATION

SIDE ELEVATION

DETAIL 10 - TIP DISPLAY BOX



DETAILED SECTION

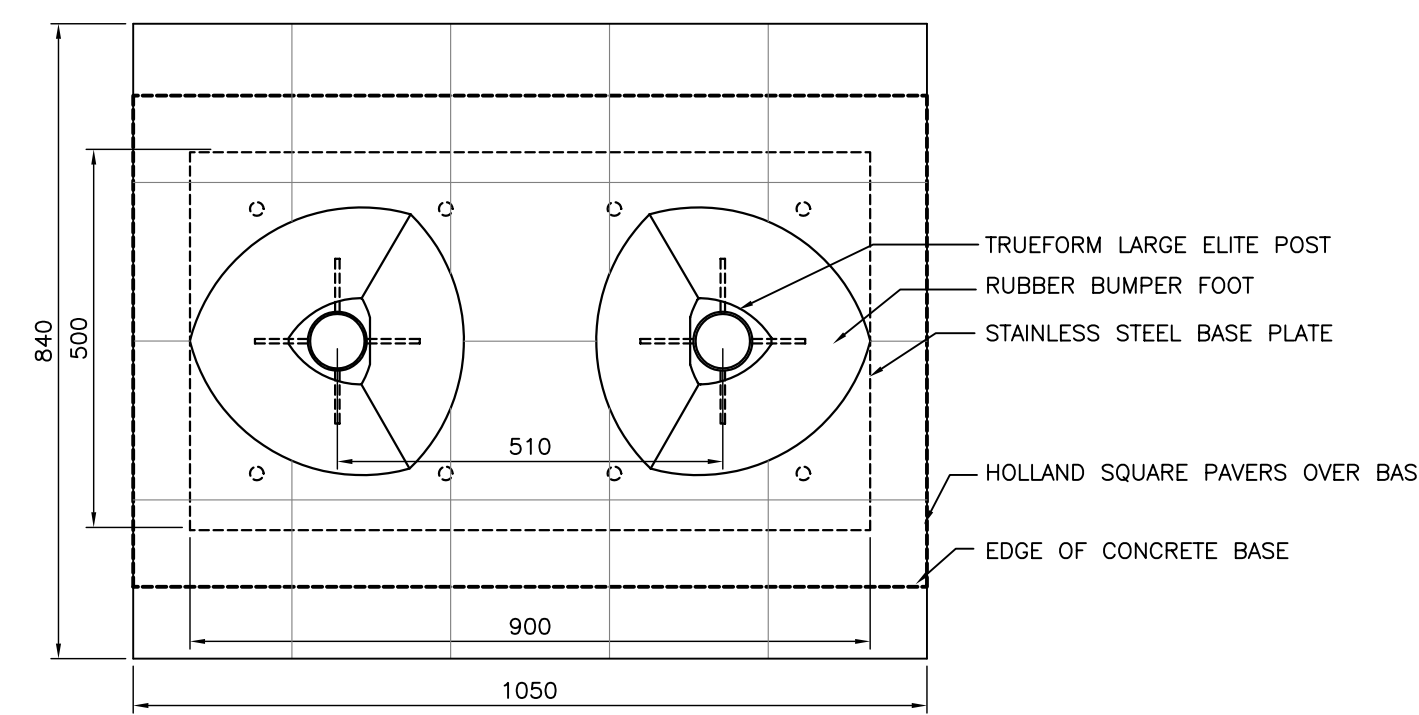
SECTION

NOT FOR CONSTRUCTION

ALL DIMENSIONS PROVIDED FOR INFORMATION ON DESIGN INTENT.

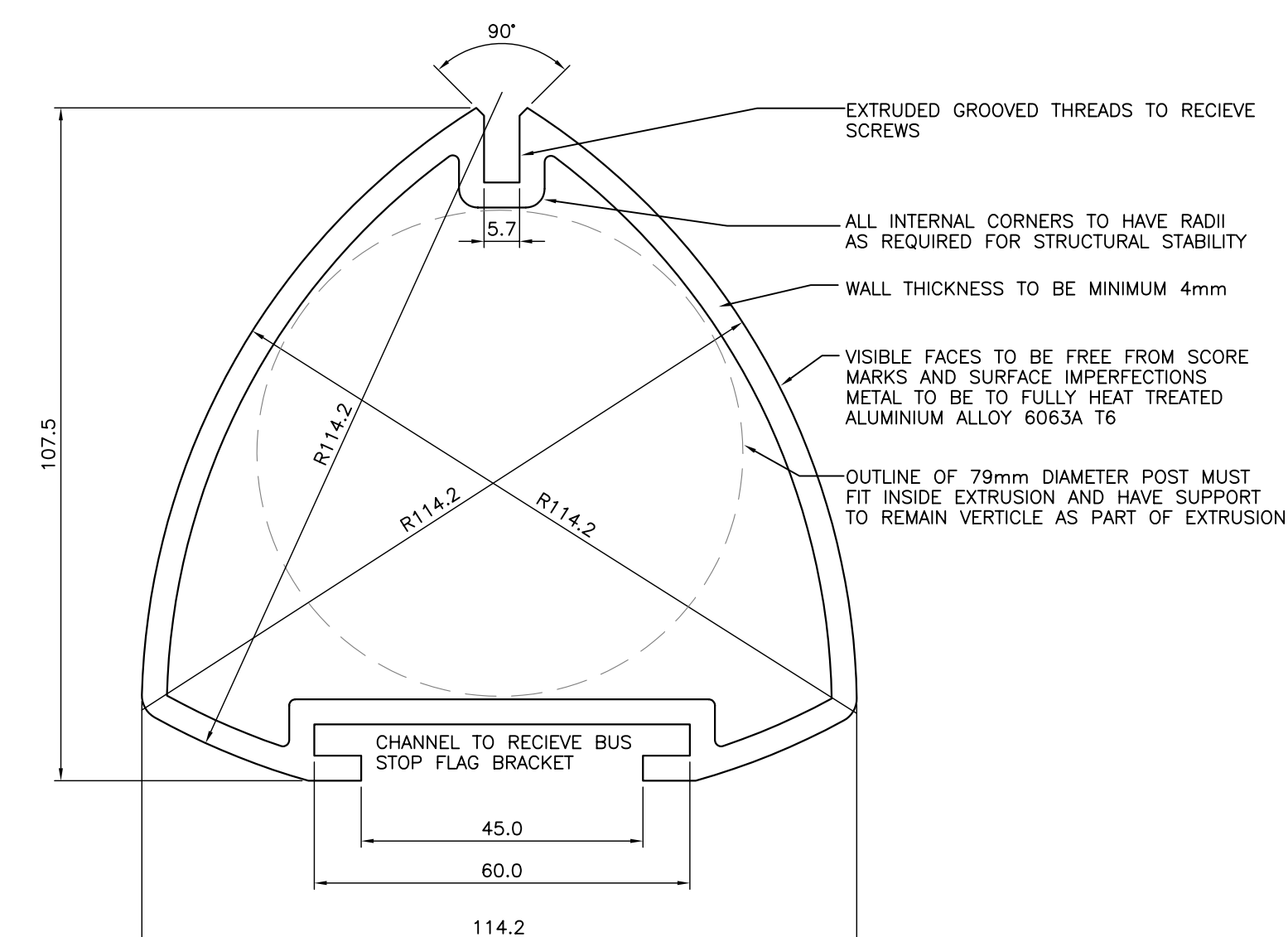
CONTRACTOR TO SUPPLY SHOP DRAWINGS STAMPED BY A STRUCTURAL ENGINEER LICENSED TO PRACTICE IN THE PROVINCE OF MANITOBA WITH EXTENSIVE EXPERIENCE IN THE DESIGN & MANUFACTURING OF ALUMINIUM SIGNS AND STRUCTURES FOR PUBLIC TRANSIT. SHOP DRAWINGS TO INCLUDE WALL THICKNESSES, MATERIALS ETC. AS LISTED IN THE SPECIFICATIONS.

No.	Revisions	Date	By
Date Scale			
17-12-07		1:10	
Designed By	Drawn By	Checked By	
JW/SR	JW	BM/AR	



PLAN

POSTS, BASE PLATES, ANCHOR BOLTS, CONCRETE BASES, AND BUMPER FOOT MANUFACTURED AND INSTALLED AS PER TRUEFORM ENGINEERING DETAILS AND SPECIFICATIONS. MODIFIED AS REQUIRED TO SUIT MANITOBA CONDITIONS FOR TEMPERATURE EXTREMES, SALT, WIND LOADING AND SNOW CLEARING.



DETAIL 12 - LARGE ELITE POST SECTION (TYP)

BASIC EXTERIOR FORM OF ELITE POST. INTERNAL STRUCTURE AS ENGINEERED BY TRUEFORM ENGINEERING. DESIGN OF POST EXTRUSION IS UNDER DESIGN COPYRIGHT OF TRUEFORM LLC. BASIC FORM IS SHOWN FOR INFORMATION ONLY COURTESY OF TRUEFORM ENGINEERING.



Client
WINNIPEG TRANSIT
Project Title
**WINNIPEG TRANSIT
BUS STOP SIGNAGE
SYSTEM - PHASE 2**

Sheet Title
**TRANSIT INFORMATION
POSTER KIOSK**

Project No. 06-029 Drawing No. LS-3