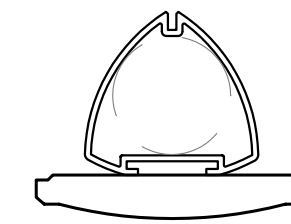


FRONT ELEVATION

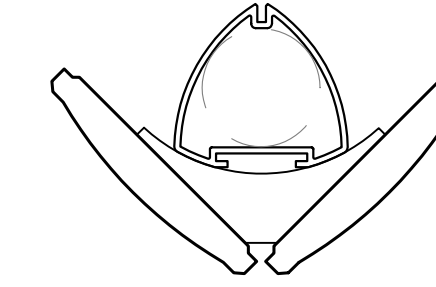
TIMETABLE DISPLAY

TIMETABLE DISPLAY TO INCLUDE MOUNTING BRACKETS AS REQUIRED TO FIT:  
 SINGLE ON BUS STOP FLAG  
 DOUBLE ON BUS STOP FLAG  
 TRIPLE ON BUS STOP FLAG  
 CUSTOM BRACKETS TO FIT TO EXISTING ILLUMINATED SIGN OR OTHER STRUCTURE

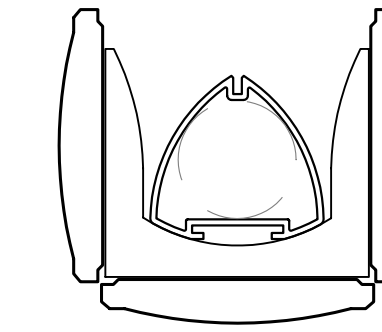
TIMETABLE DISPLAYS WILL BE EITHER LEFT OPENING OR RIGHT OPENING. FINAL QUANTITY OF EACH TYPE TO BE CONFIRMED WITH CONTRACT ADMINISTRATOR PRIOR TO MANUFACTURE.



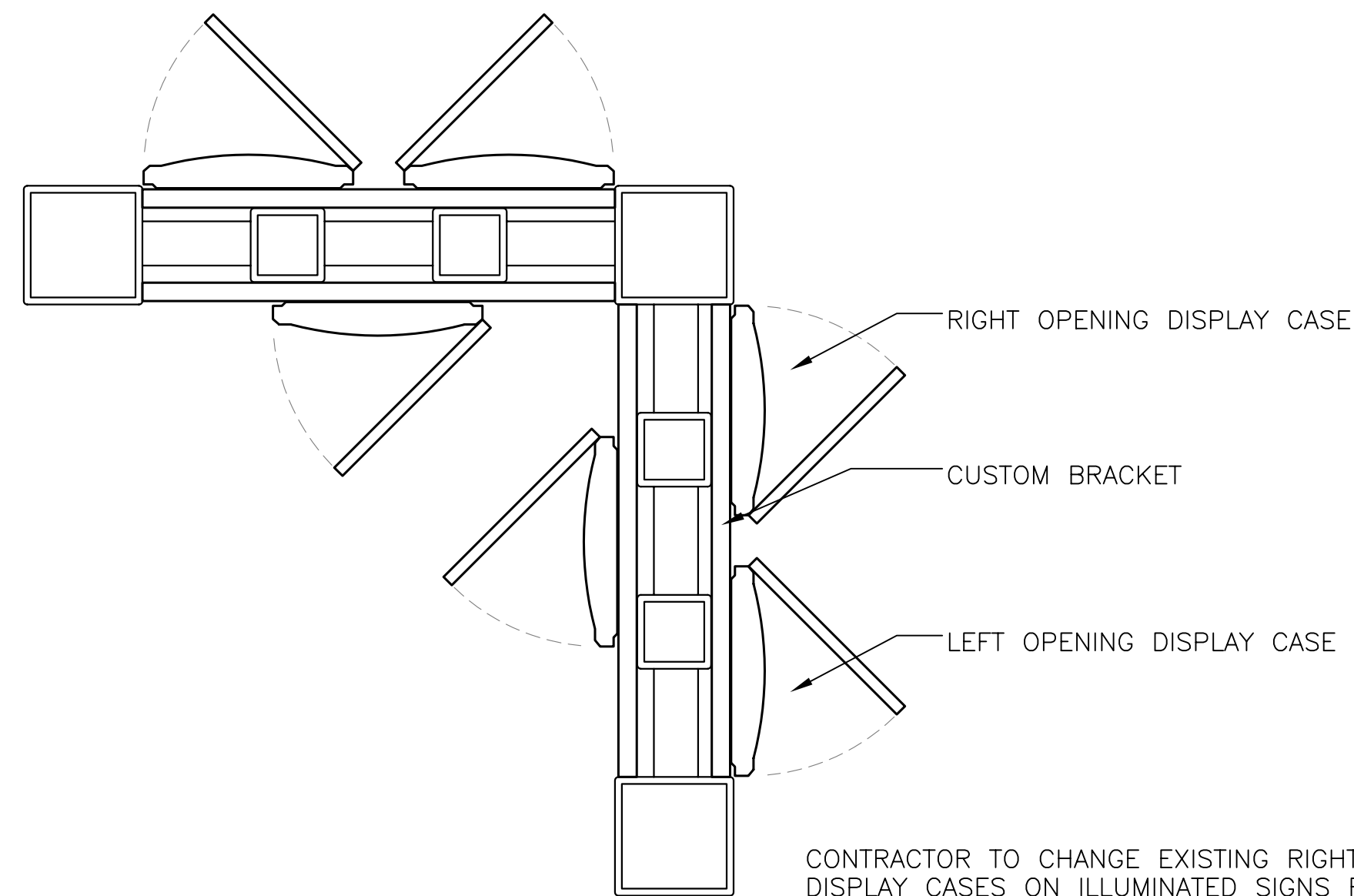
SINGLE DISPLAY ON TRUEFORM BRACKET ON ELITE POST



TWO DISPLAYS WITH TRUEFORM BRACKET ON ELITE POST

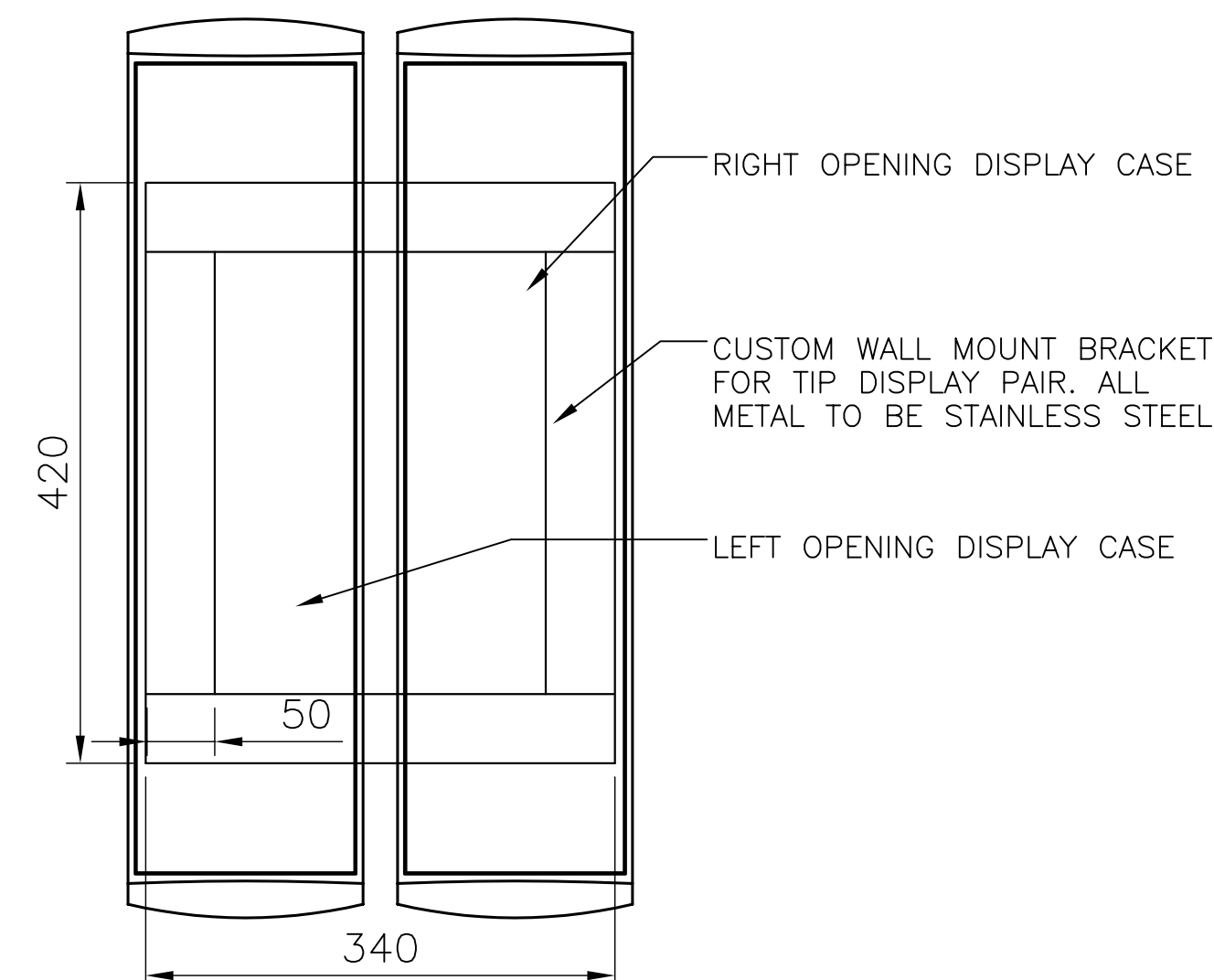


THREE DISPLAYS WITH TRUEFORM BRACKET ON ELITE POST



TIMETABLE DISPLAYS ON ILLUMINATED SIGN

CONTRACTOR TO CHANGE EXISTING RIGHT OPENING DISPLAY CASES ON ILLUMINATED SIGNS FROM PHASE 1 WITH LEFT OPENING DISPLAYS AS REQUIRED. CONFIRM QUANTITY AND LOCATIONS WITH CONTRACT ADMINISTRATOR.



WALL MOUNT TIMETABLE DISPLAYS

No.	Revisions	Date	By
	Scale		
17-12-07	1:5		
Designed By	Drawn By	Checked By	
JW/SR	JW	BM/AR	



Client  
 WINNIPEG TRANSIT  
 Project Title  
**WINNIPEG TRANSIT  
 BUS STOP SIGNAGE  
 SYSTEM - PHASE 2**

Sheet Title  
**TIME TABLE  
 DISPLAYS**

Project No. 06-029 Drawing No. LS-4