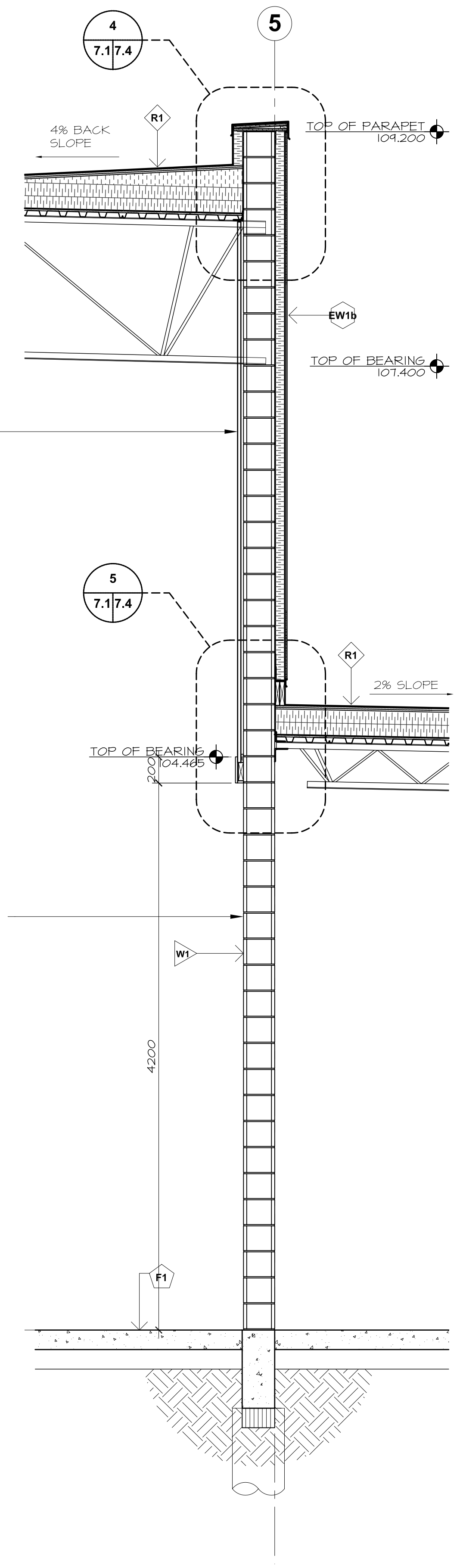
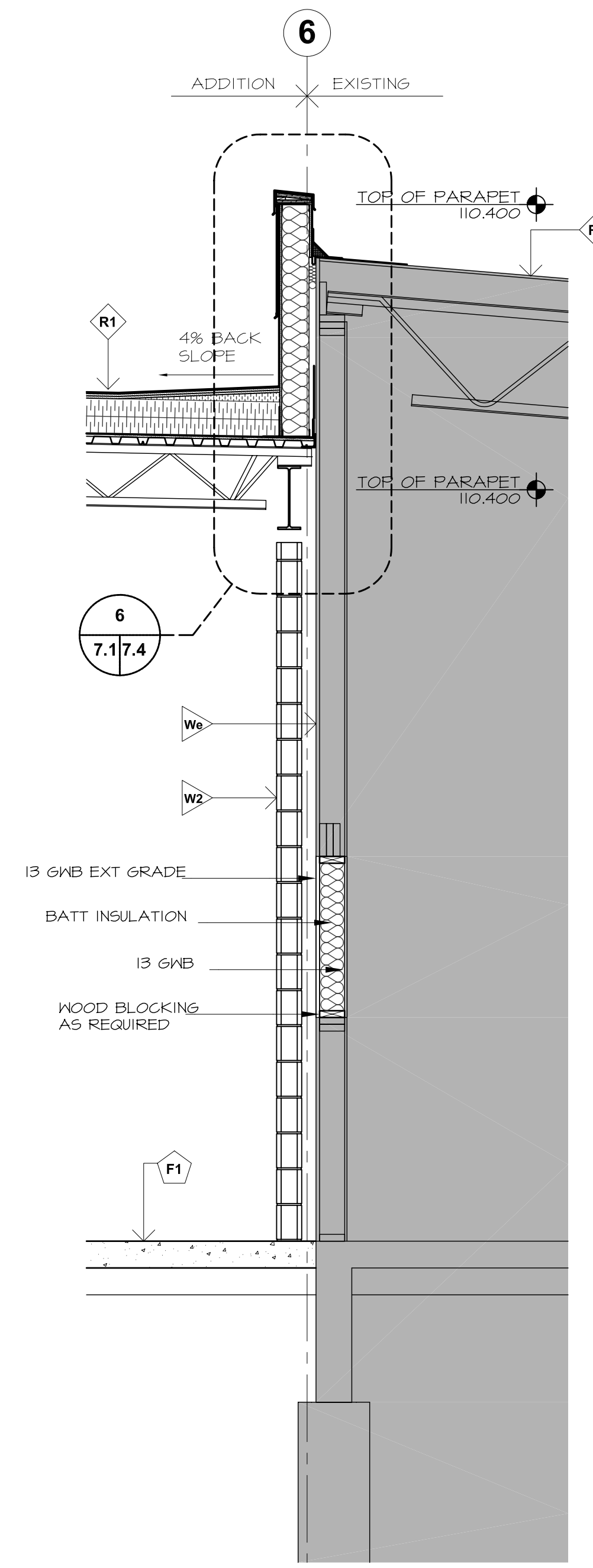


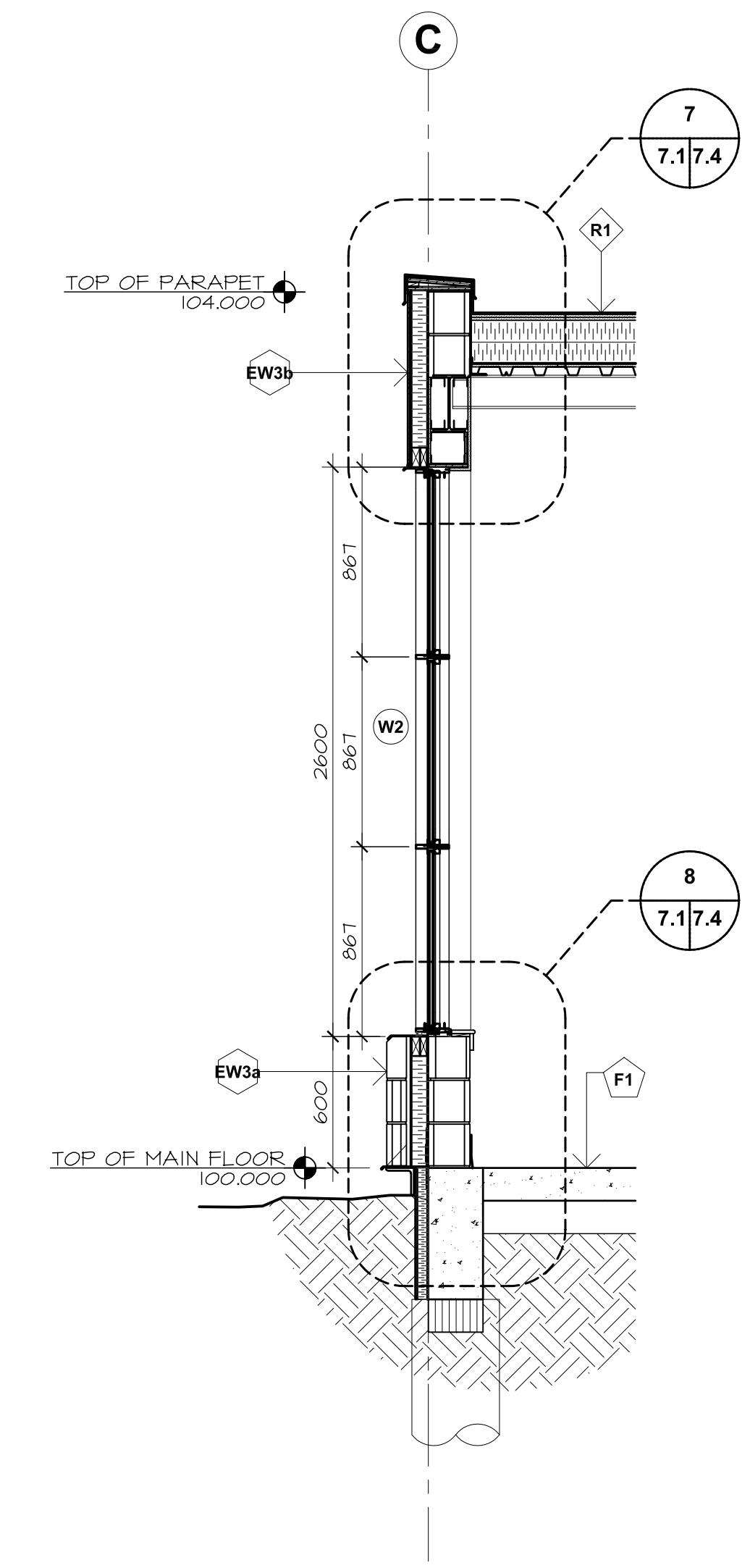
1 WALL SECTION
6.1 | 7.1 1:25



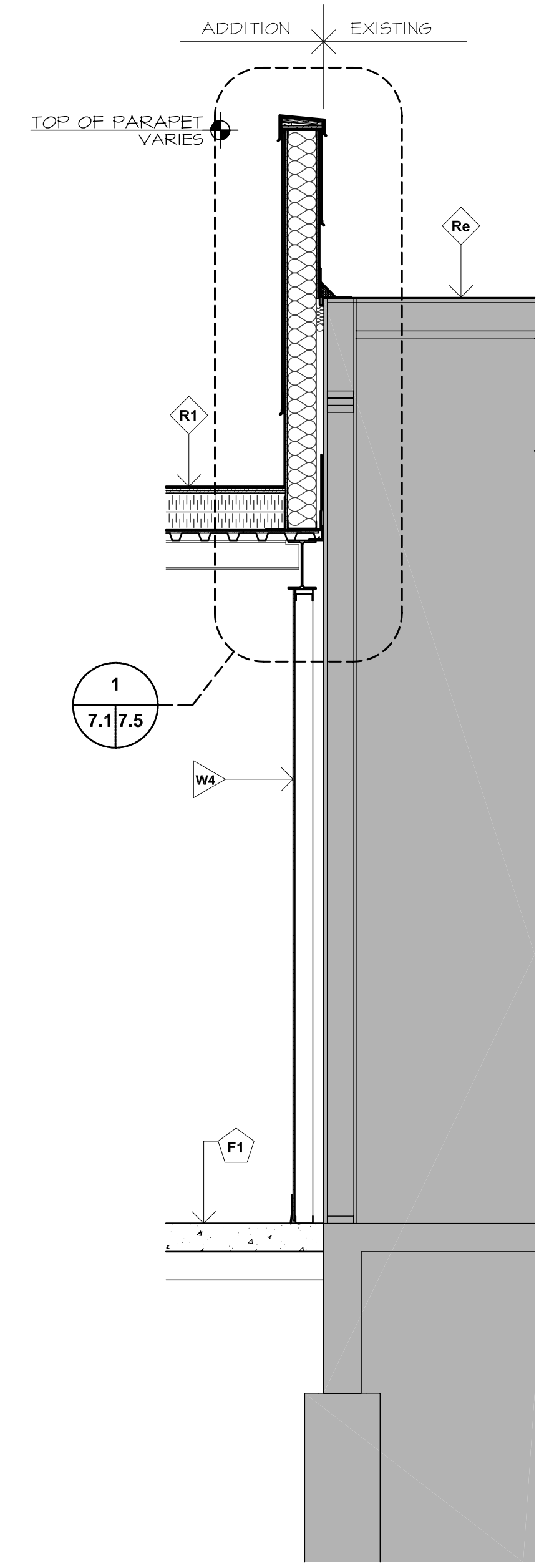
2 WALL SECTION
6.1 | 7.1 1:25



3 WALL SECTION
6.1 | 7.1 1:25



4 WALL SECTION
6.1 | 7.1 1:25



5 WALL SECTION
6.1 | 7.1 1:25

NOT TO BE USED FOR CONSTRUCTION
(Remove when is final)

NO.	REVISION	DATE	BY
1	ISSUED FOR TENDER	25/03/2008	JS
0	99% ISSUED FOR REVIEW	07/03/2008	JS

THIS DRAWING IS THE EXCLUSIVE PROPERTY OF THE ARCHITECT AND CAN BE REPRODUCED ONLY WITH THE PERMISSION OF THE ARCHITECT IN WHICH CASE THE REPRODUCTION MUST BEAR THE NAME OF THE ARCHITECT.
THIS DRAWING SHALL NOT BE SCALED. FOLLOW GIVEN DIMENSIONS AND INFORMATION SHOWN ARE CORRECT.
THE CONTRACTOR SHALL SATISFY HIMSELF THAT ALL DIMENSIONS AND INFORMATION SHOWN ARE CORRECT.
PRIOR TO COMMENCEMENT OF WORK REPORT ANY DISCREPANCIES TO THE ARCHITECT.
VARIATIONS AND MODIFICATIONS TO WORK SHOWN WILL NOT BE ALLOWED WITHOUT WRITTEN PERMISSION OF THE ARCHITECT.

CONSULTANT



CALNITSKY ASSOCIATES ARCHITECTS

ARCHITECTURE | INTERIOR DESIGN
124 Nassau Street North | Winnipeg, Manitoba R3L 2H1
Tel: (204) 453-6441 | Fax: (204) 453-3392
E-mail: caa@escape.ca

PROJECT TITLE
NORBERRY GLENLEE COMMUNITY CENTRE EXPANSION
26 Molgat Avenue, Winnipeg, MB
Bid Opportunity No. 931-2007

SHEET TITLE
WALL SECTIONS

DRAWN BY	SCALE	SHEET NUMBER
IC	AS NOTED	A7.1
CHECKED BY	DATE	
JS	07/03/2008	
PROJECT NUMBER	REVISION	
06-017	0	