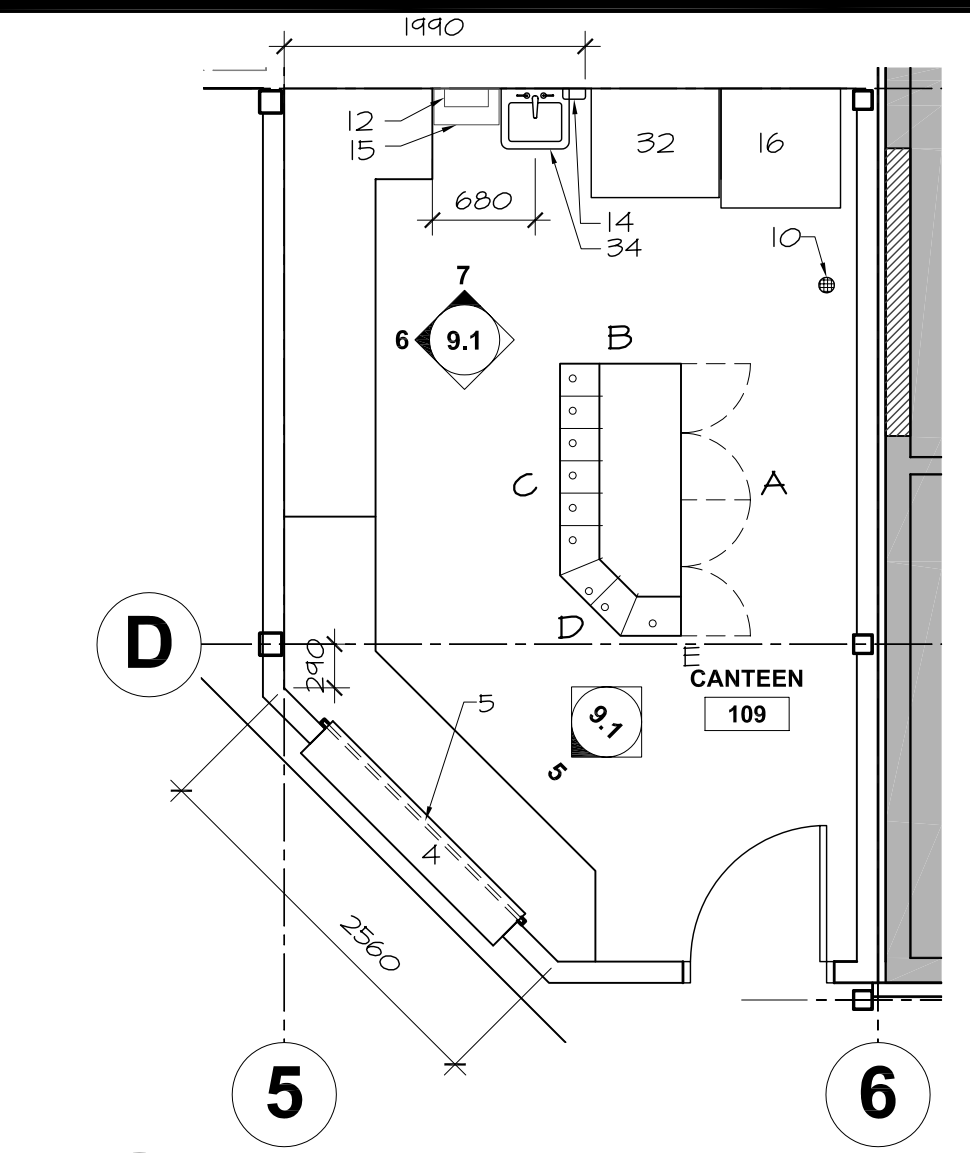
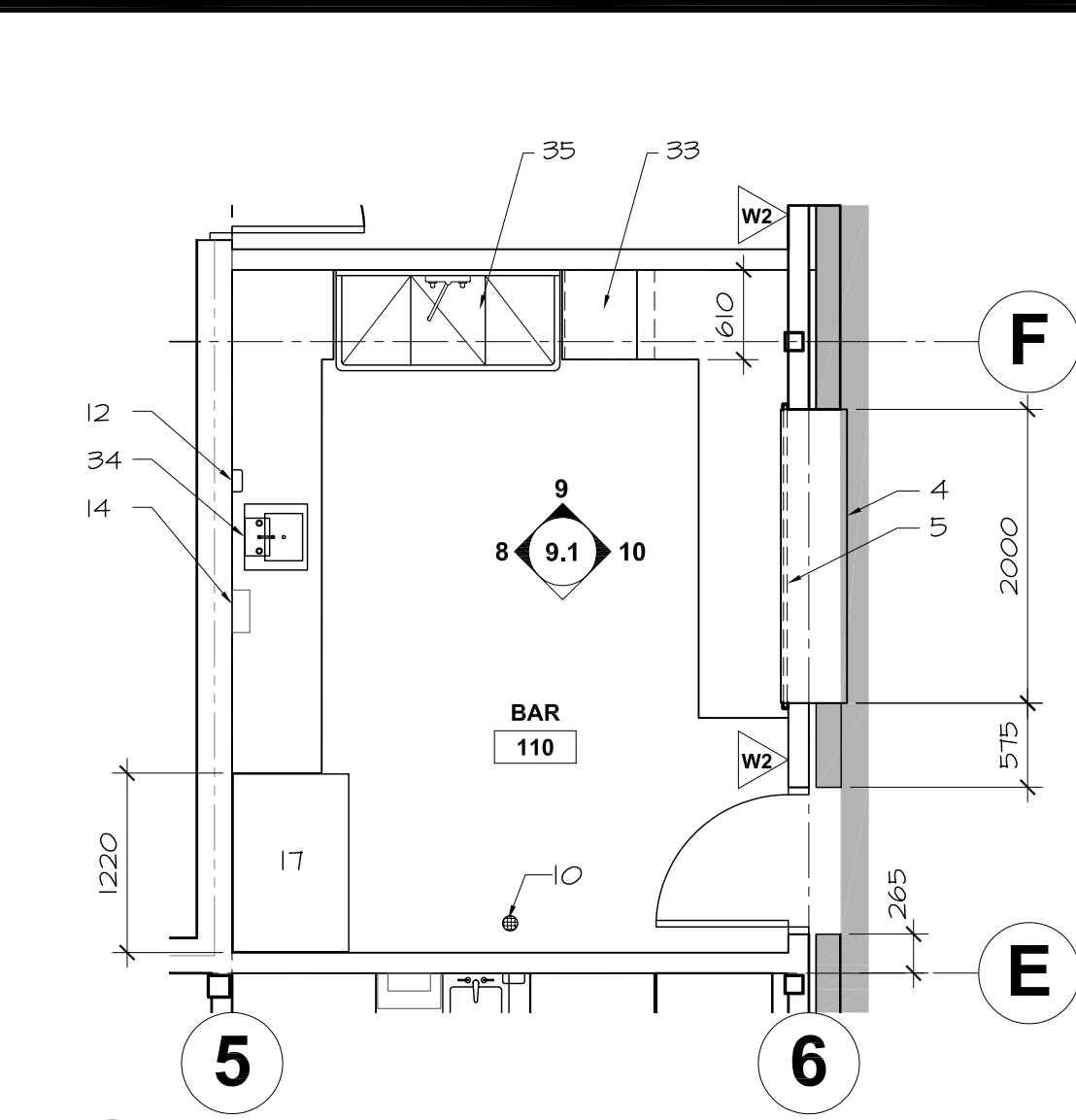


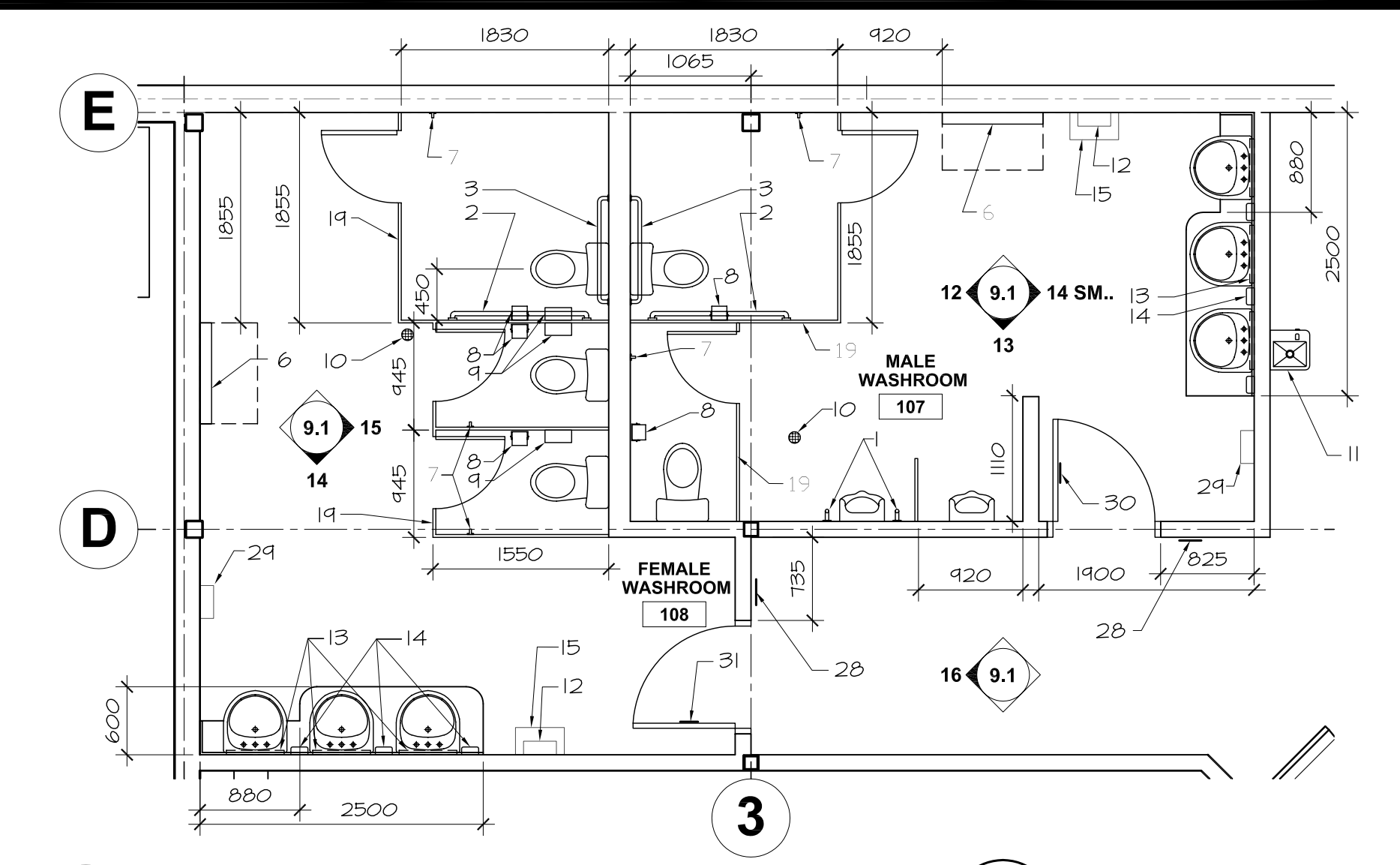
1 OFFICE PLAN
A-2.1 | A-9.1 | 1:50



2 CANTEEN PLAN
A-2.1 | A-9.1 | 1:50

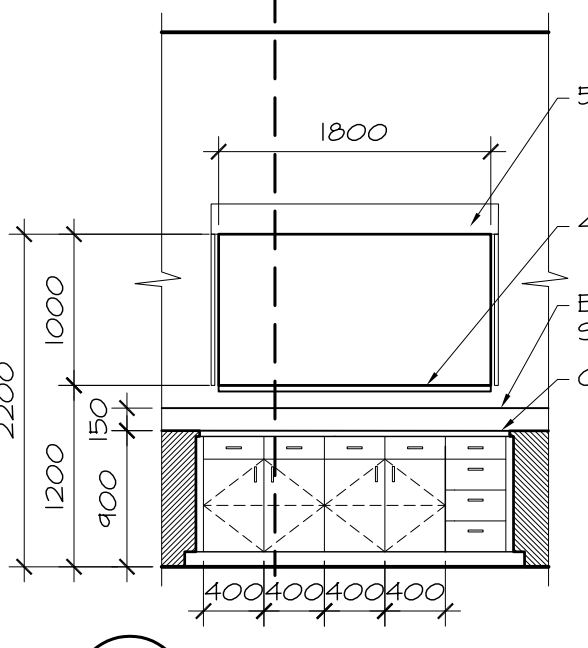


3 BAR PLAN
A-2.1 | A-9.1 | 1:50

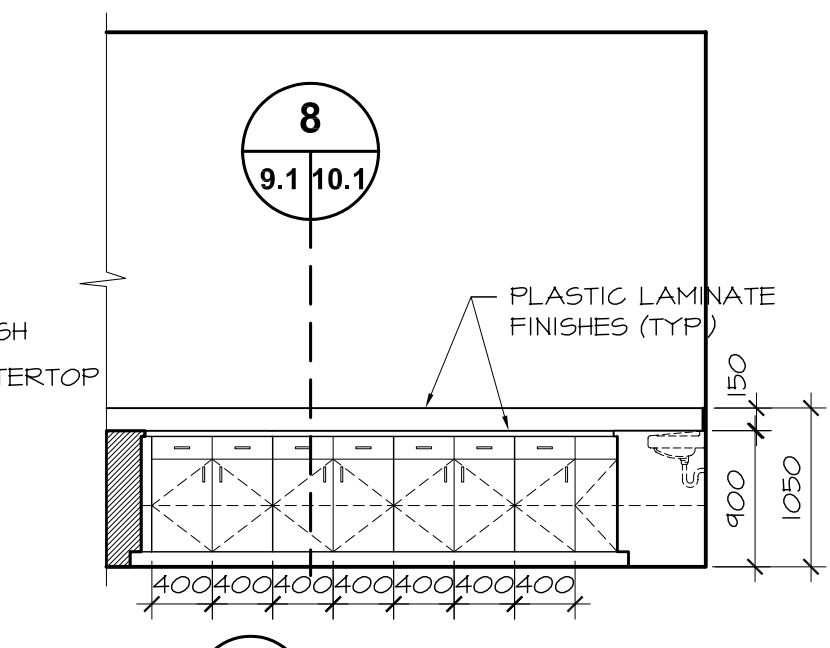


4 WASHROOMS PLAN
A-2.1 | A-9.1 | 1:50

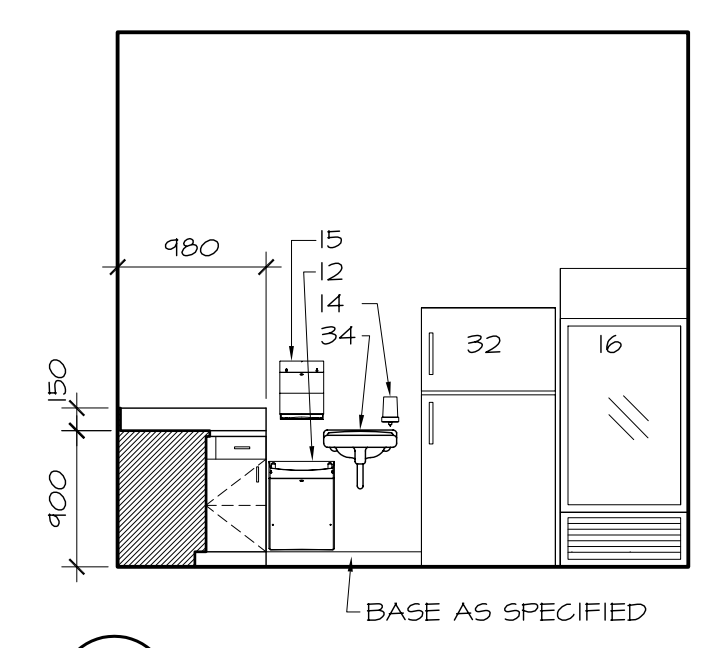
- LEGEND:**
- 610 GRAB BAR
 - 1067 GRAB BAR
 - 914 GRAB BAR
 - BAR COUNTER
 - ROLL UP COUNTER SHUTTER
 - BABY CHANGE TABLE
 - HOOK
 - TOILET PAPER HOLDER
 - NAFKIN DISPENSER
 - FLOOR DRAIN
 - WATER FOUNTAIN
 - PAPER TOWEL DISPENSER
 - 460 x 160 TILT MIRROR
 - SOAP DISPENSER
 - WASTE RECEPTACLE
 - REFRIGERATED MERCHANDISER WITH ONE SLIDING DOOR N.I.C.
 - REFRIGERATED MERCHANDISER WITH 2 GLASS DOOR N.I.C.
 - MICROWAVE N.I.C.
 - TOILET PARTITION
 - COMPUTER N.I.C.
 - CHAIR N.I.C.
 - OFFICE CHAIR N.I.C.
 - L-SHAPE DESK N.I.C.
 - FILING CABINET N.I.C.
 - LOCKABLE STORAGE CABINETS
 - BARRIER FREE W.F. SIGN
 - HAND DRYER
 - MALE W.F. SIGN
 - FEMALE W.F. SIGN
 - FRIDGE N.I.C.
 - DISHWASHER N.I.C.
 - HAND WASH SINK
 - TRIPLE COMPARTMENT S.S. SINK
 - BLEACHERS - TWO TIER HIDE A BENCH



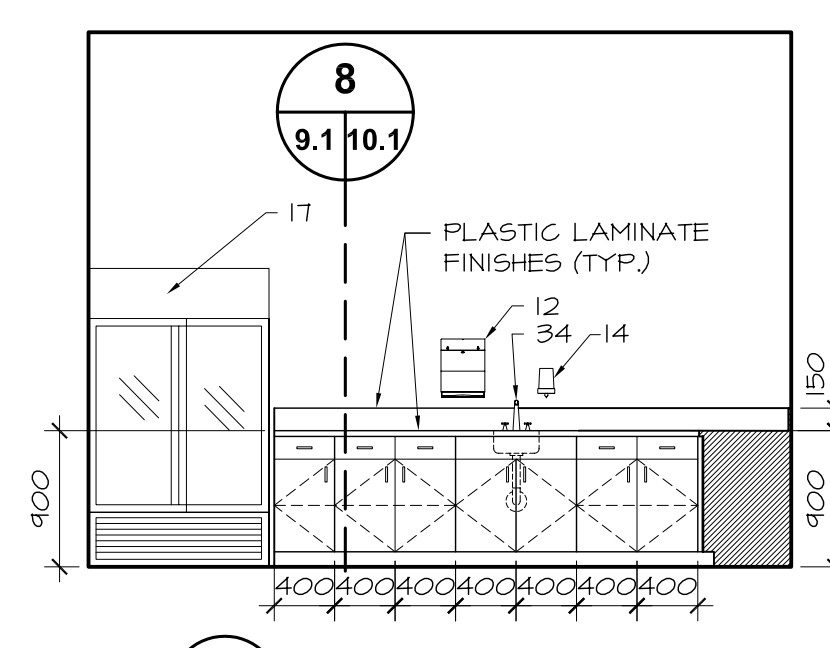
5 CANTEEN
A-9.1 | A-9.1 | 1:50



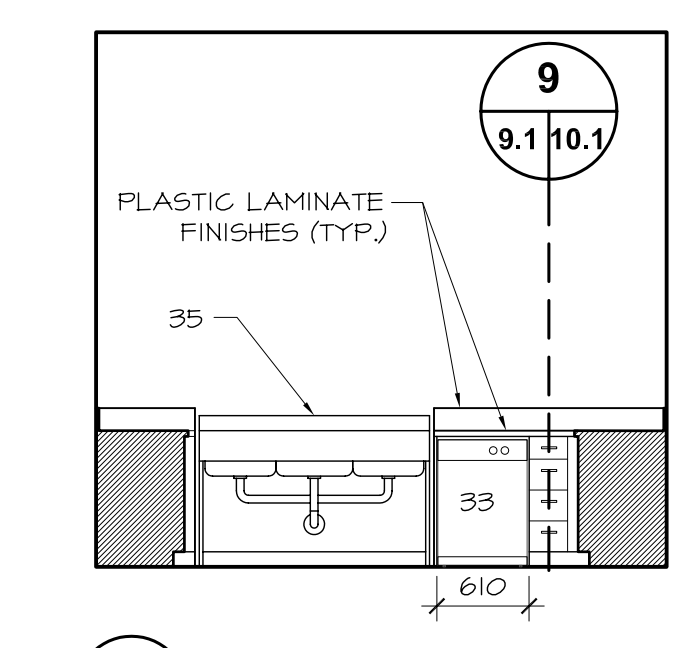
6 CANTEEN
A-9.1 | A-9.1 | 1:50



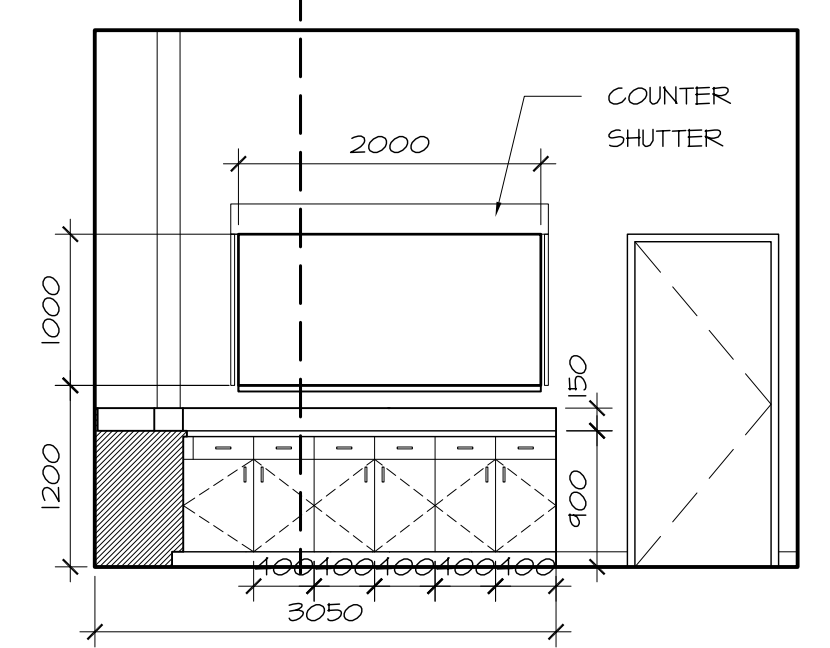
7 CANTEEN
A-9.1 | A-9.1 | 1:50



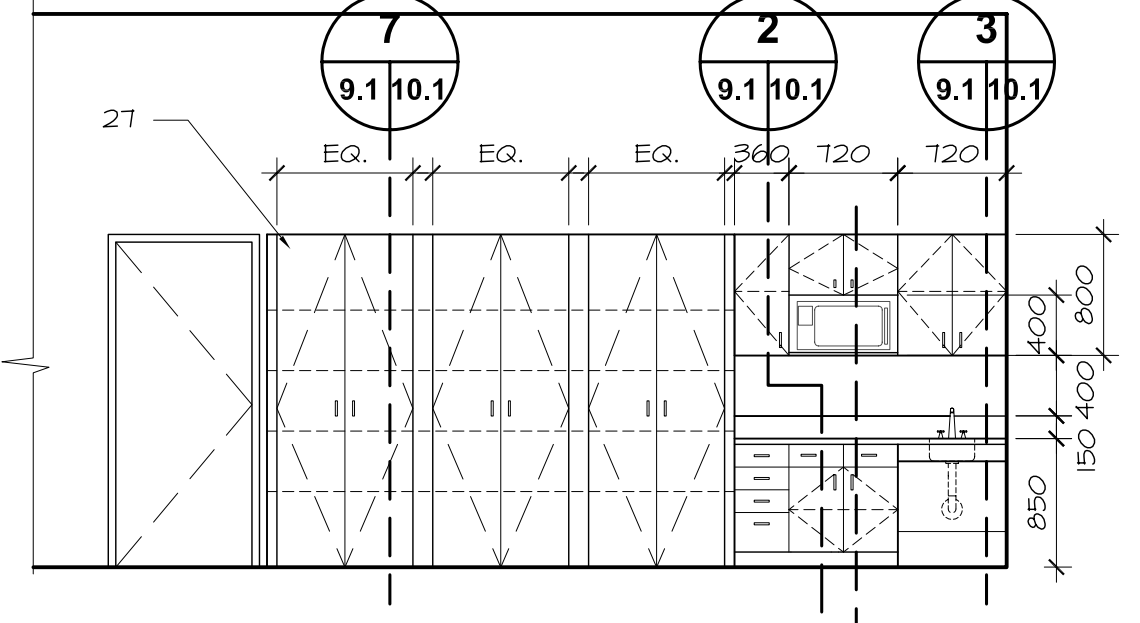
8 BAR
A-9.1 | A-9.1 | 1:50



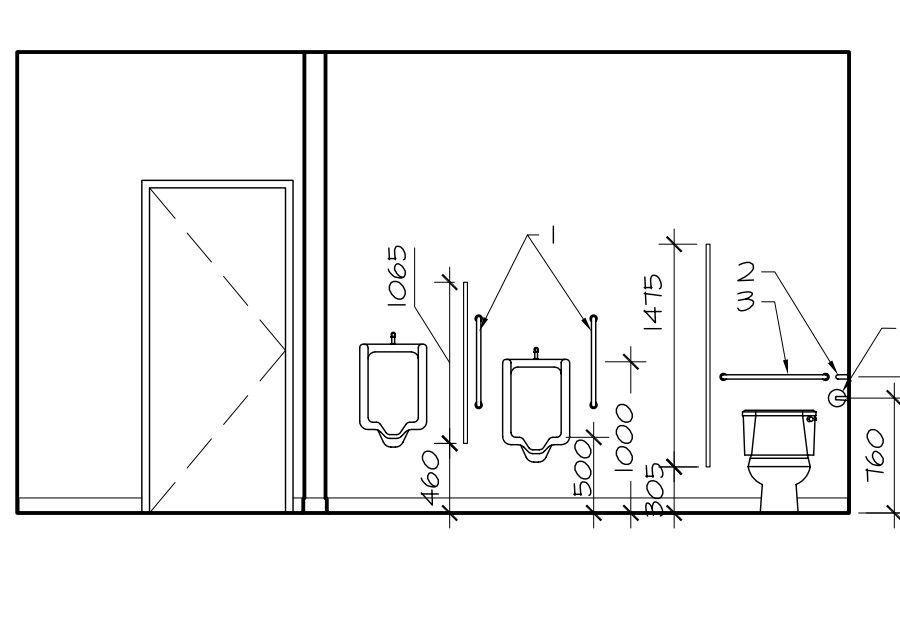
9 BAR
A-9.1 | A-9.1 | 1:50



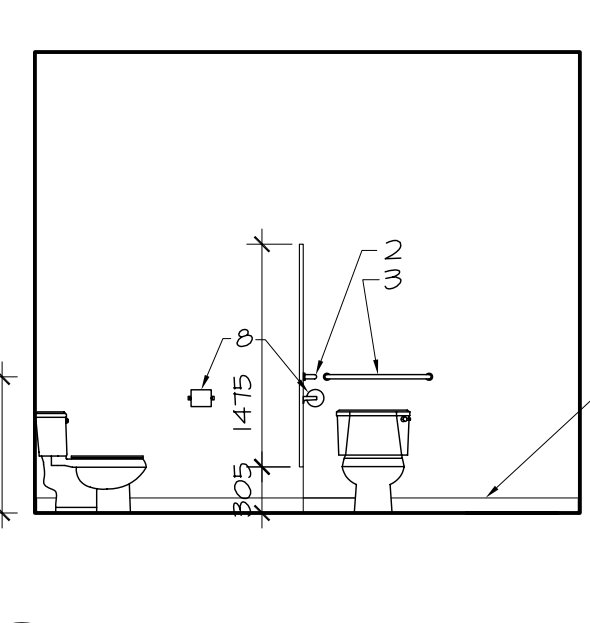
10 BAR
A-9.1 | A-9.1 | 1:50



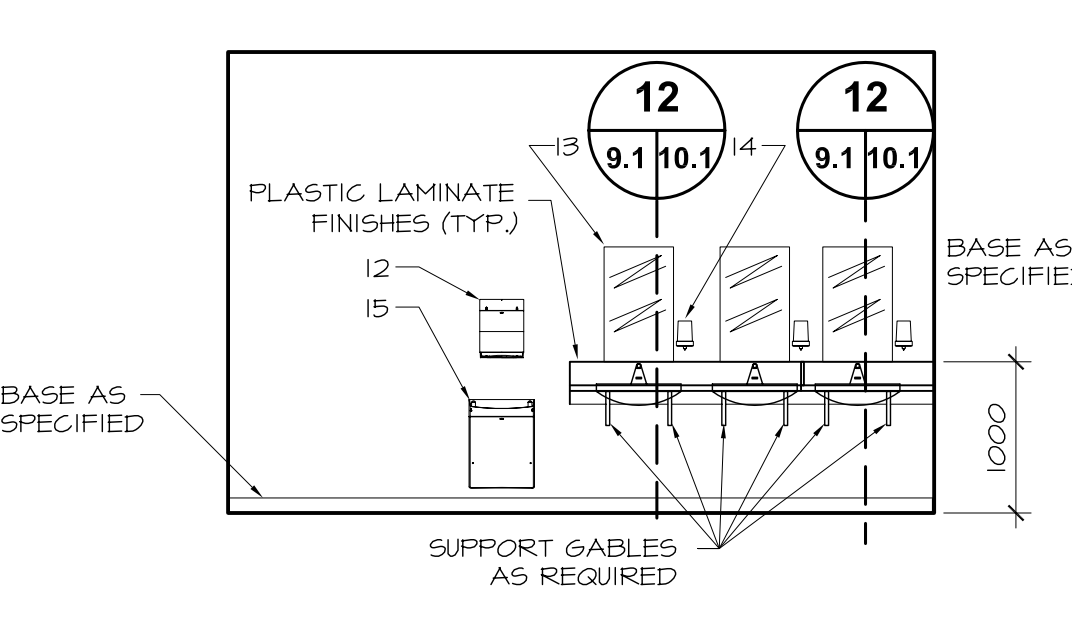
11 MULTIPURPOSE ROOM
A-9.1 | A-9.1 | 1:50



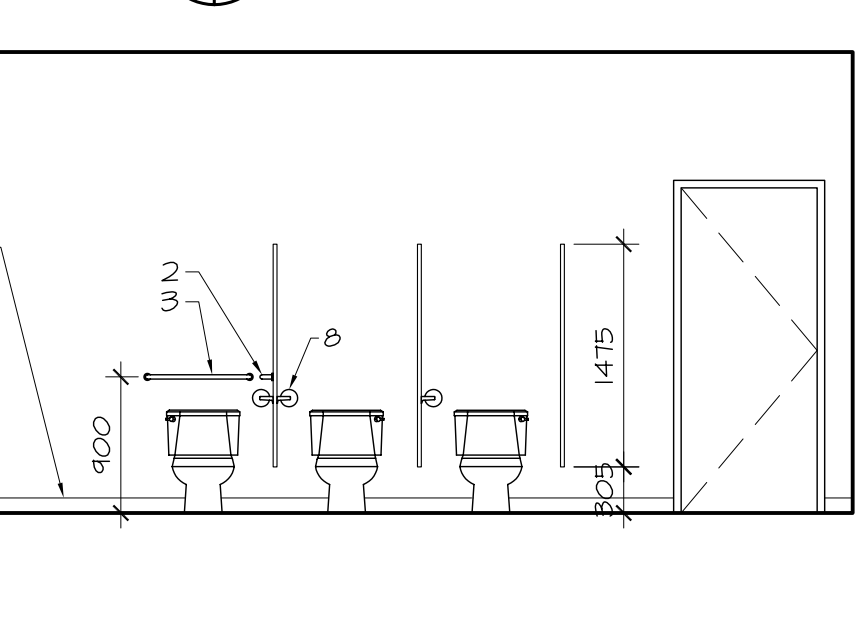
12 MALE WASHROOM
A-9.1 | A-9.1 | 1:50



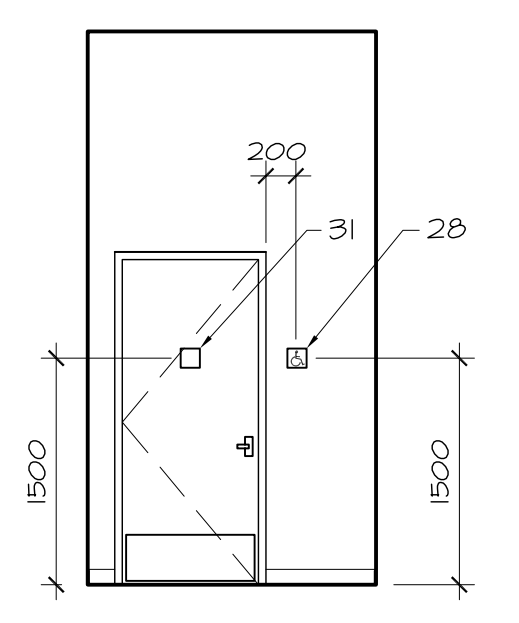
13 MALE WASHROOM
A-9.1 | A-9.1 | 1:50



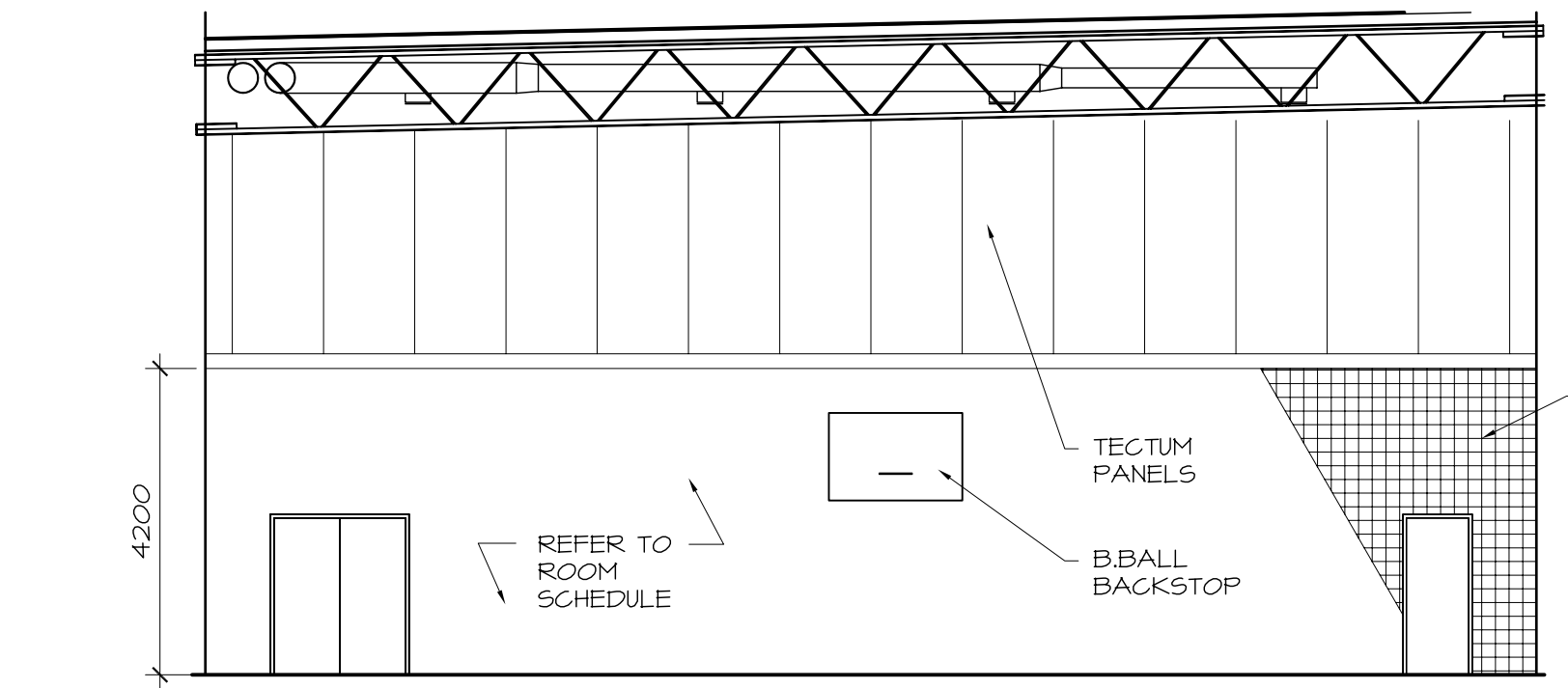
14 FEMALE WASHROOM
A-9.1 | A-9.1 | 1:50



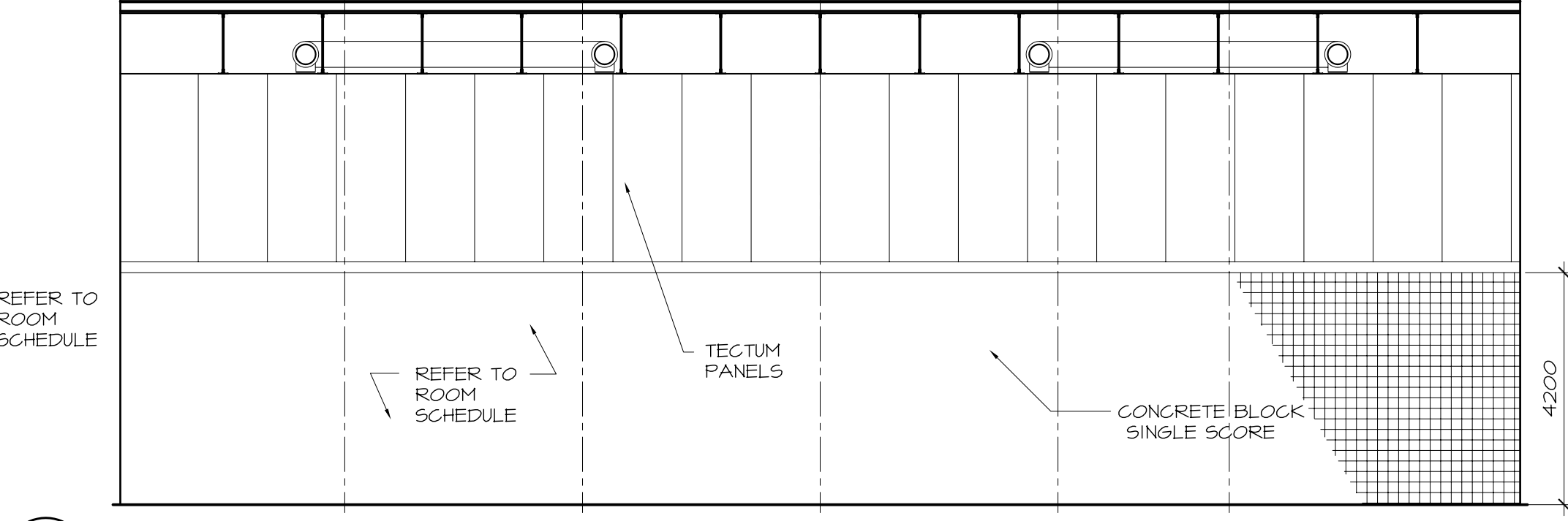
15 FEMALE WASHROOM
A-9.1 | A-9.1 | 1:50



16 WASHROOM DOOR (TYP.)
A-3.1 | A-3.1 | 1:100

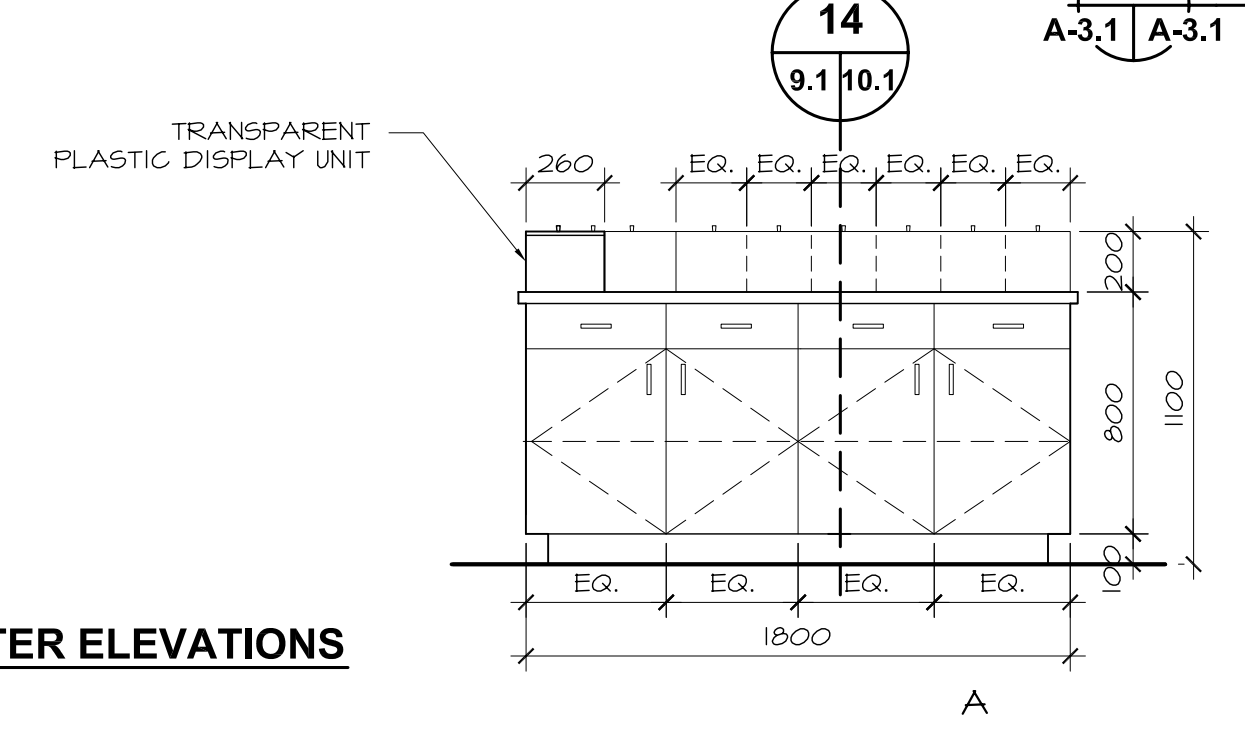


17 GYMNASIUM
A-3.1 | A-3.1 | 1:100

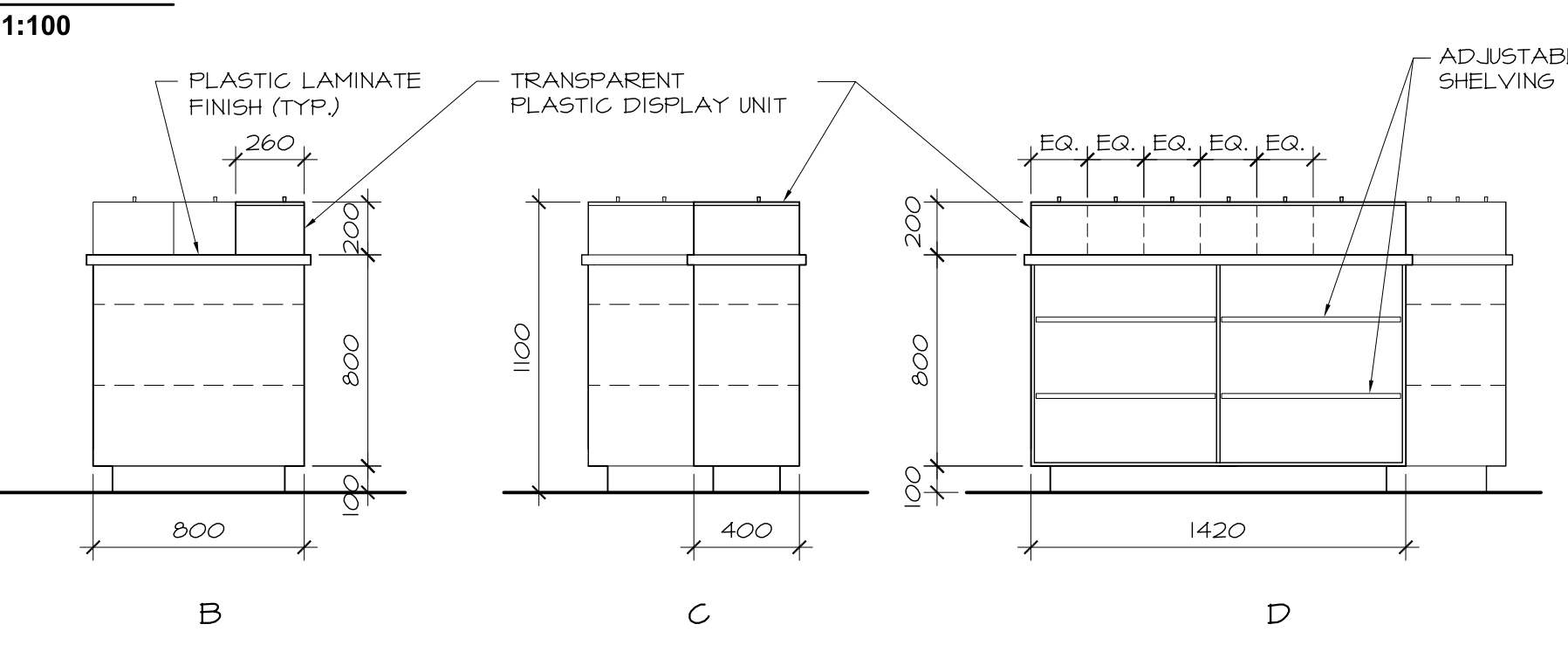


18 GYMNASIUM
A-3.1 | A-3.1 | 1:100

- GENERAL NOTES:**
- ALL GYMNASIUM BOUNDARY LINES SHOULD BE DRAWN IN SAME COLOUR (WHITE) SHOULD BE CLEAR AND 50 MM WIDE.
 - THE CENTRAL LINE SHOULD BE MARKED PARALLEL TO END LINES FROM THE MIDPOINT OF THE SIDELINES AND SHOULD EXTEND 150 MM BEYOND EACH SIDELINE.
 - THE CENTRE CIRCLE SHOULD BE MARKED IN THE CENTRE OF THE PLAYING COURT AND SHOULD HAVE RADIUS 100mm MEASURED TO THE OUTER EDGE OF CIRCUMFERENCE.
 - THE SEMICIRCLES SHOULD BE MARKED IN THE PLAYING COURT WITH A RADIUS OF 100mm MEASURED TO THE OUTER EDGE OF CIRCUMFERENCE.
 - ALL BOUNDARY LINE DISTANCE SHOULD MATCH THE MEASUREMENT OF STANDARD BASKET BALL COURT.



19 ISLAND COUNTER ELEVATIONS
A-9.1 | A-9.1 | 1:25



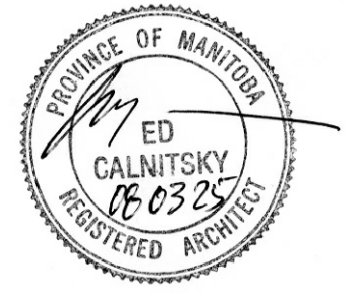
NOT TO BE USED FOR CONSTRUCTION (Remove when is final)

NO.	REVISION	DATE	BY
1	ISSUED FOR TENDER	25/03/08	JS
0	99% ISSUED FOR REVIEW	10/3/08	JS

THIS DRAWING IS THE EXCLUSIVE PROPERTY OF THE ARCHITECT AND CAN BE REPRODUCED ONLY WITH THE PERMISSION OF THE ARCHITECT IN WHICH CASE THE REPRODUCTION MUST BEAR THE NAME OF THE ARCHITECT.
THIS DRAWING SHALL NOT BE SCALED. FOLLOW GIVEN DIMENSIONS ONLY.
THE CONTRACTOR SHALL SATISFY HIMSELF THAT ALL DIMENSIONS AND INFORMATION SHOWN ARE CORRECT.
PRIOR TO COMMENCEMENT OF WORK REPORT ANY DISCREPANCIES TO THE ARCHITECT.
VARIATIONS AND MODIFICATIONS TO WORK SHOWN WILL NOT BE ALLOWED WITHOUT WRITTEN PERMISSION OF THE ARCHITECT.

CONSULTANT

SEAL



CALNITSKY ASSOCIATES ARCHITECTS

ARCHITECTURE | INTERIOR DESIGN
124 Nassau Street North | Winnipeg, Manitoba R3L 2H1
Tel: (204) 453-6441 | Fax: (204) 453-3392
E-mail: caa@escape.ca

PROJECT TITLE
NORBERRY GLENLEE COMMUNITY CENTRE EXPANSION
26 Molgat Avenue, Winnipeg, MB
Bid Opportunity No. 931-2007

SHEET TITLE
EQUIPMENT & MILLWORK PLAN

DRAWN BY	SCALE	SHEET NUMBER
MU, IP	AS NOTED	A-9.1
CHECKED BY	DATE	
PROJECT NUMBER	REVISION	
06-017	0	