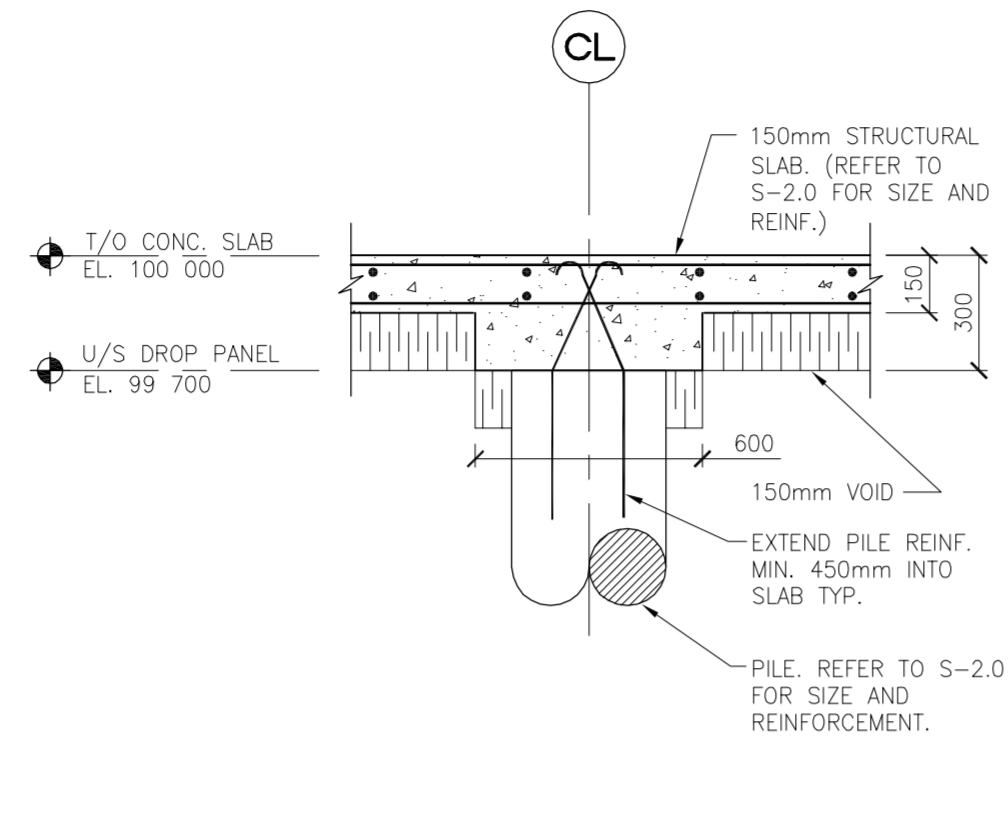
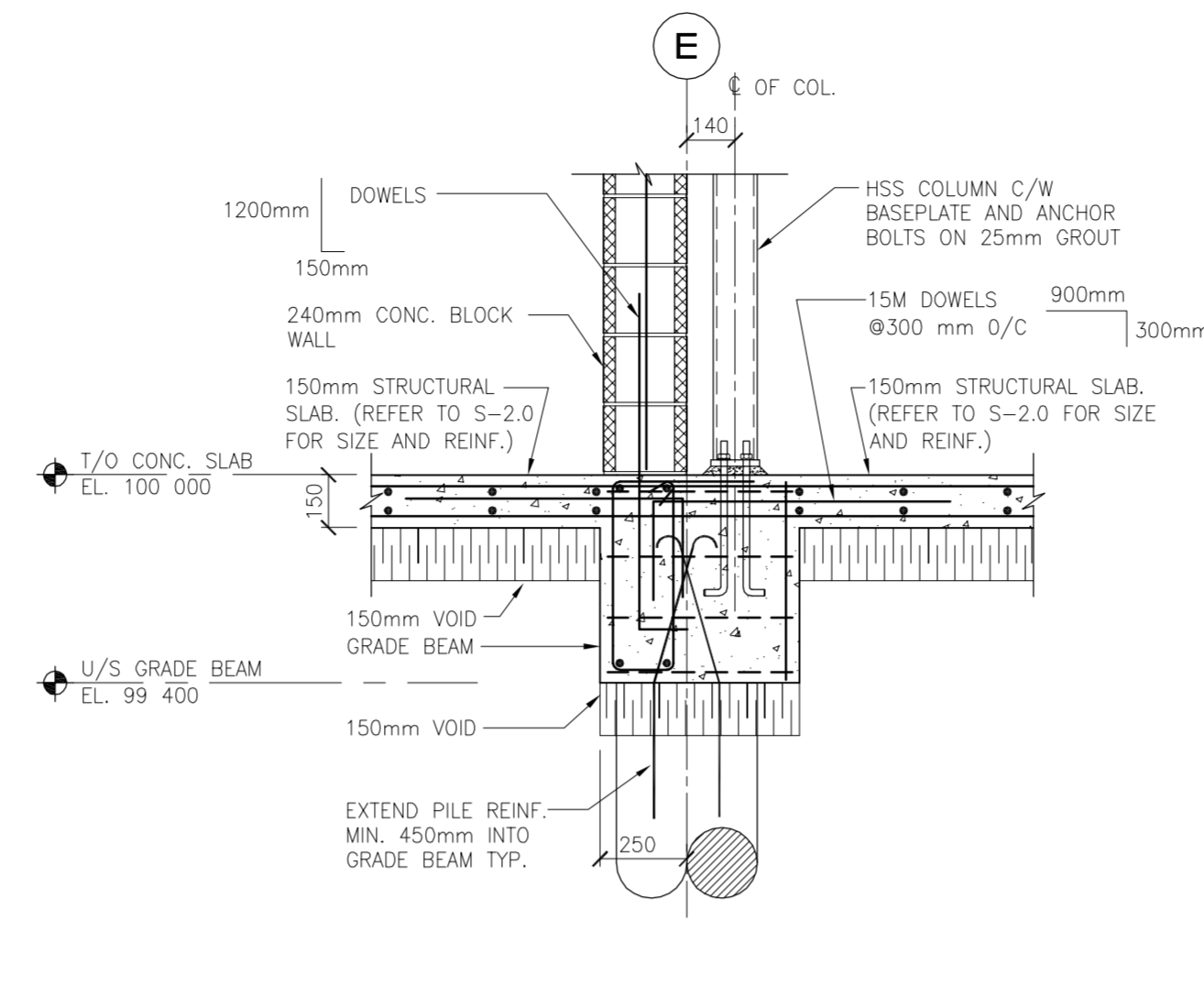


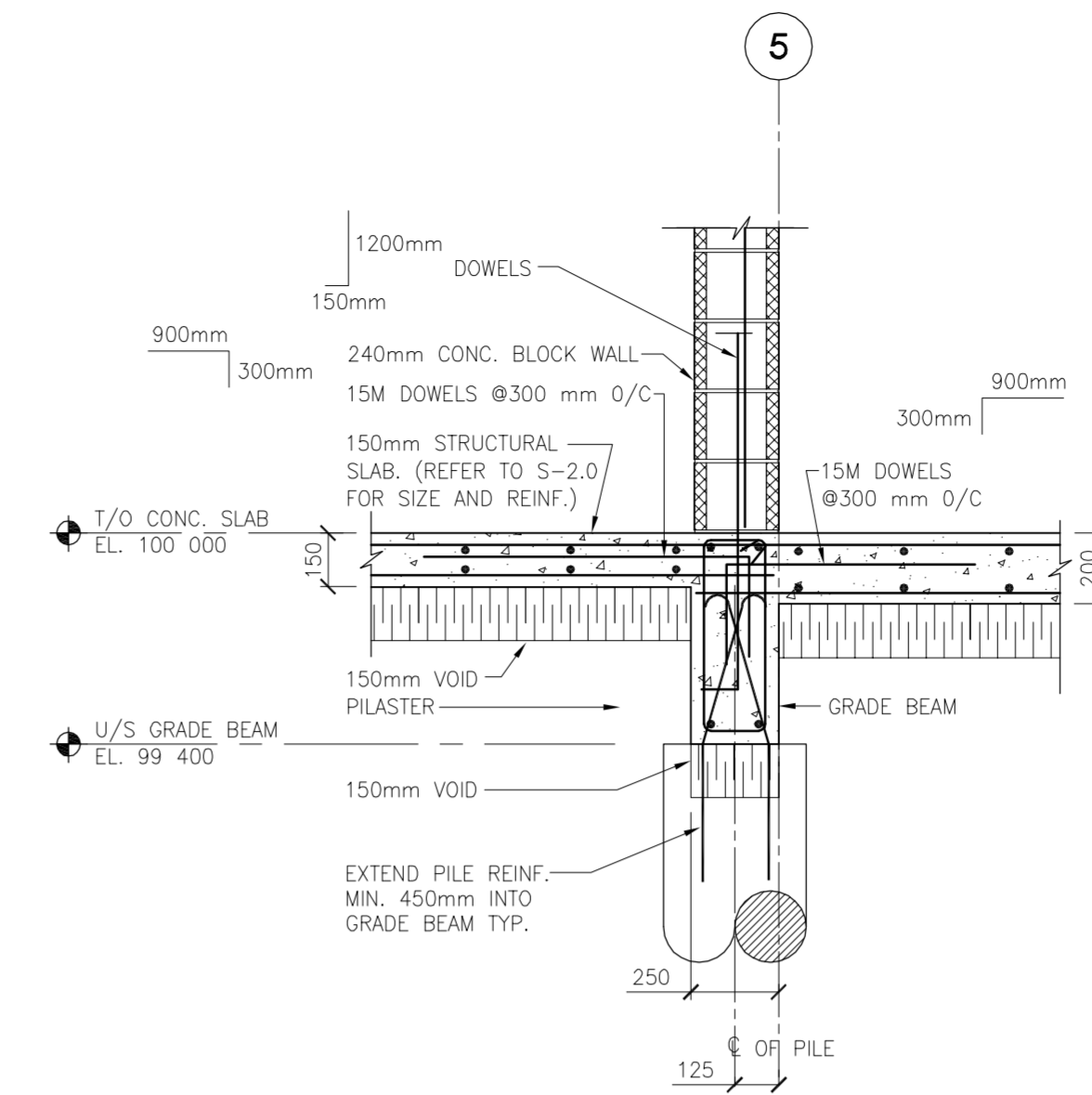
1 SECTION
S-3.1 SCALE: 120



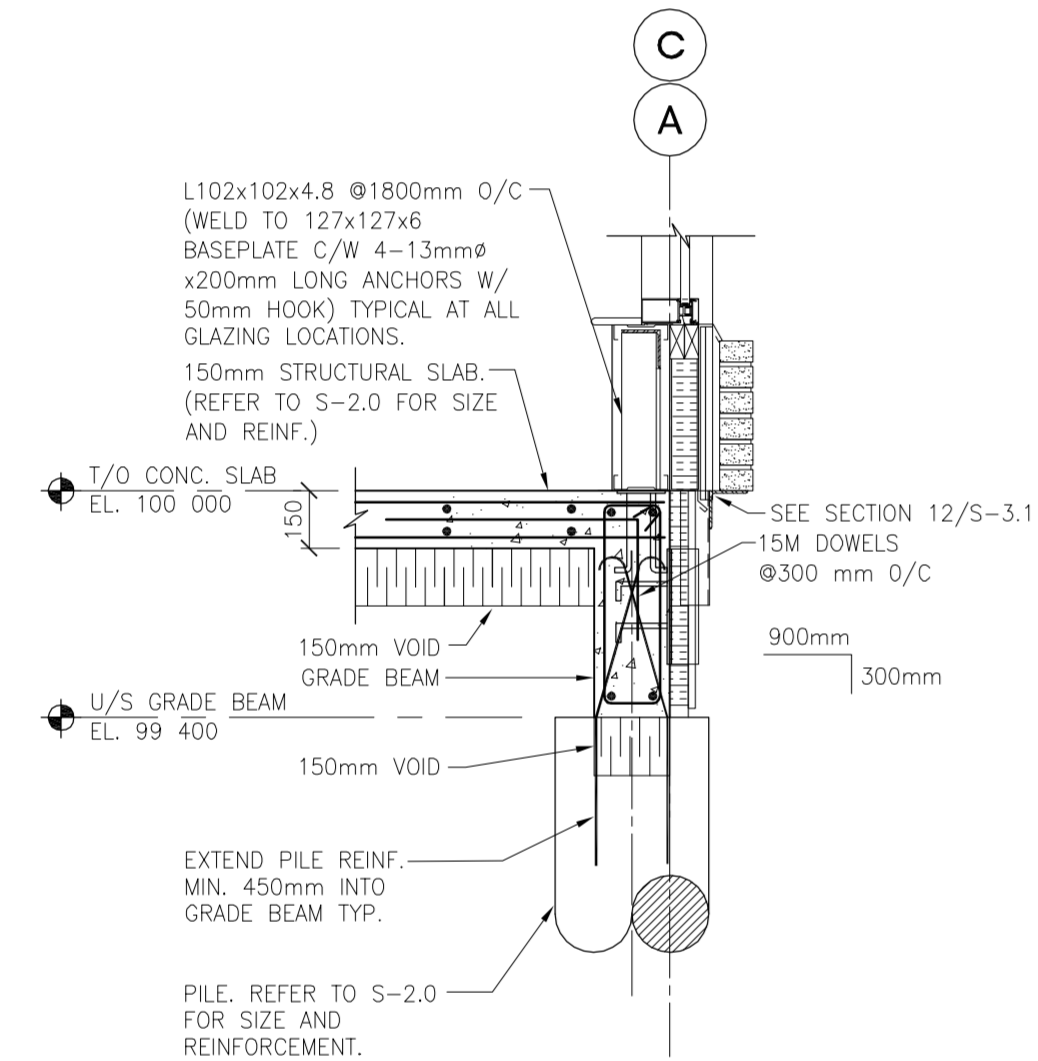
2 SECTION
S-3.1 SCALE: 120



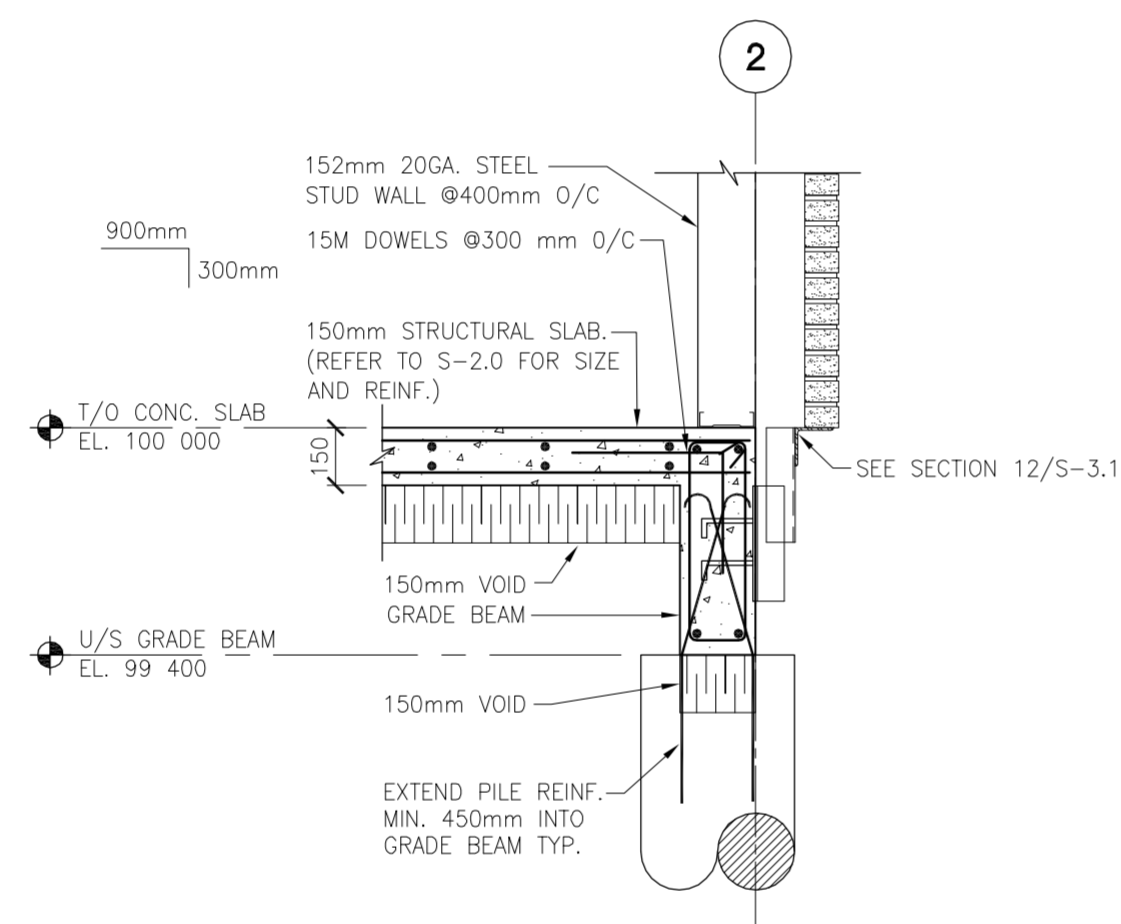
3 SECTION
S-3.1 SCALE: 120



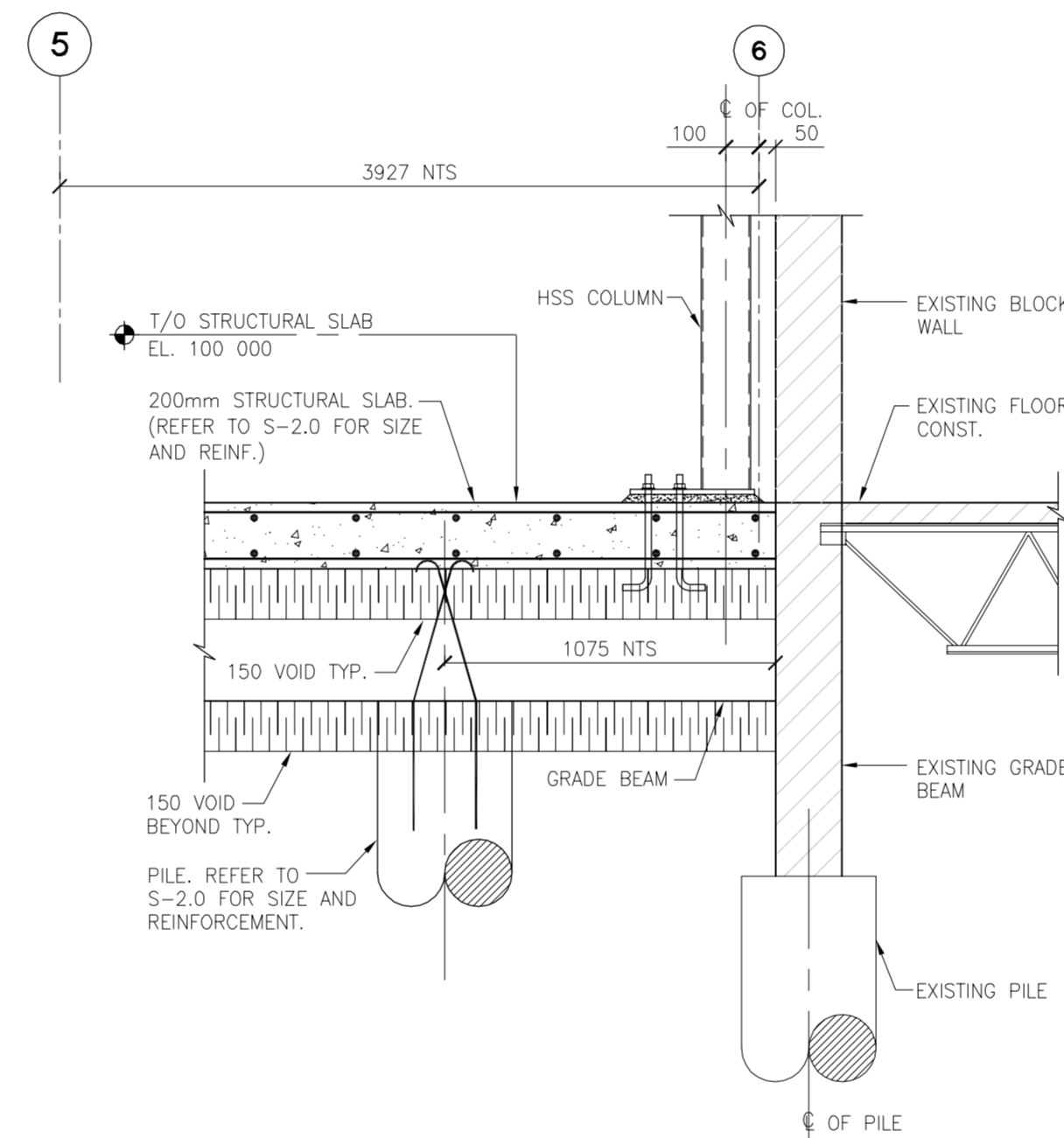
4 SECTION
S-3.1 SCALE: 120



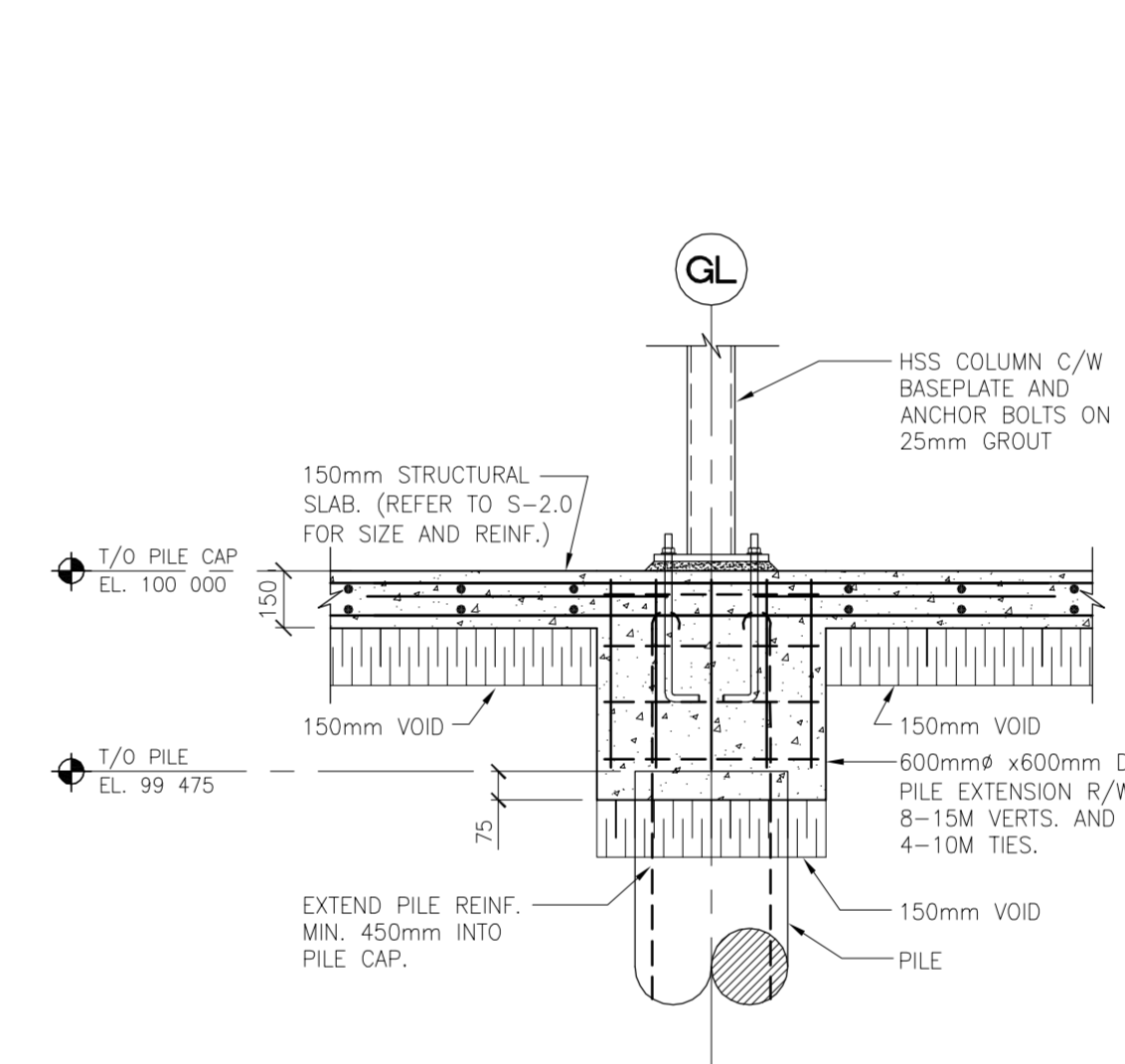
5 SECTION
S-3.1 SCALE: 120



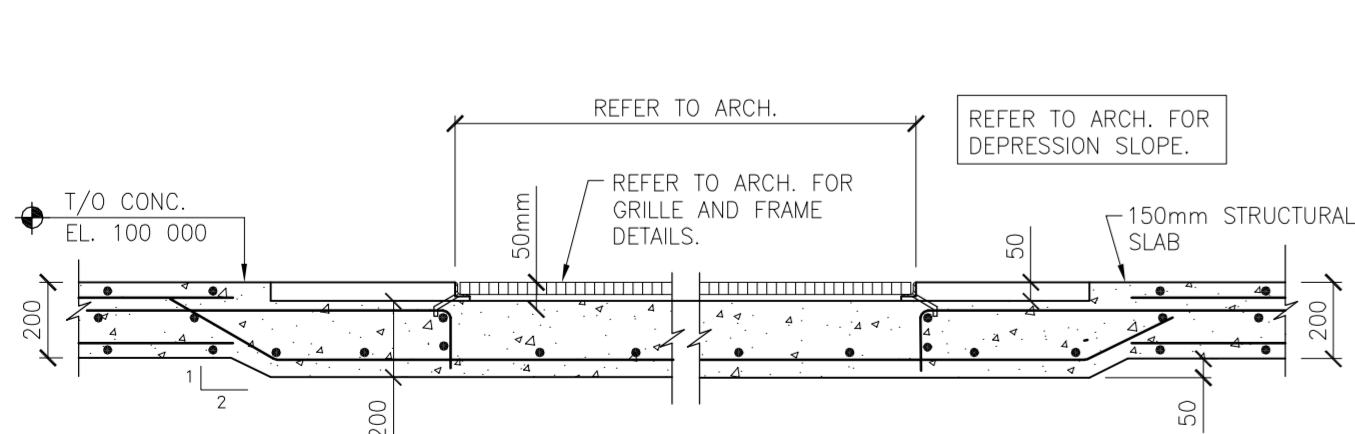
6 SECTION
S-3.1 SCALE: 120



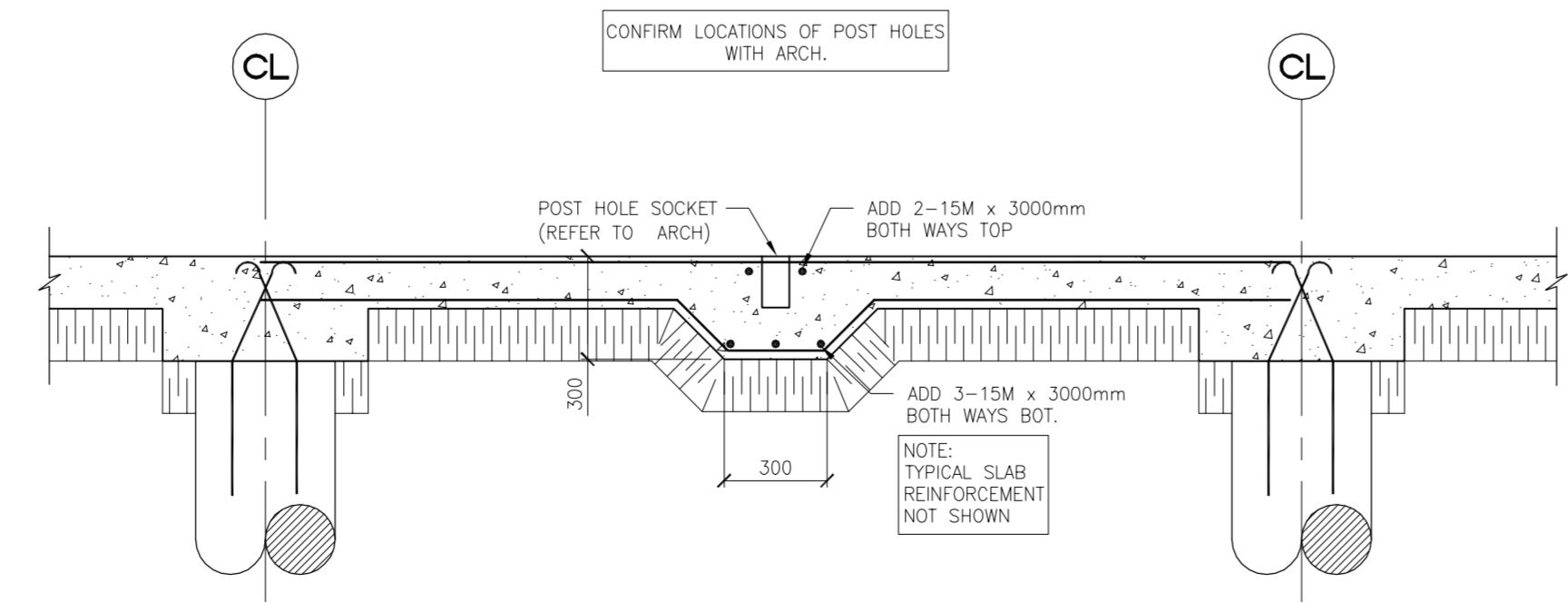
7 SECTION
S-3.1 SCALE: 120



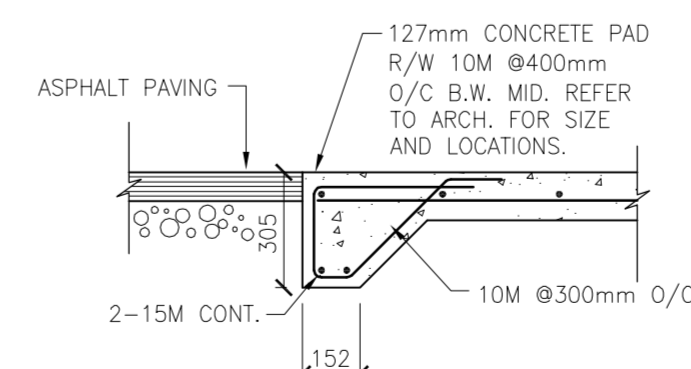
8 SECTION
S-3.1 SCALE: 120



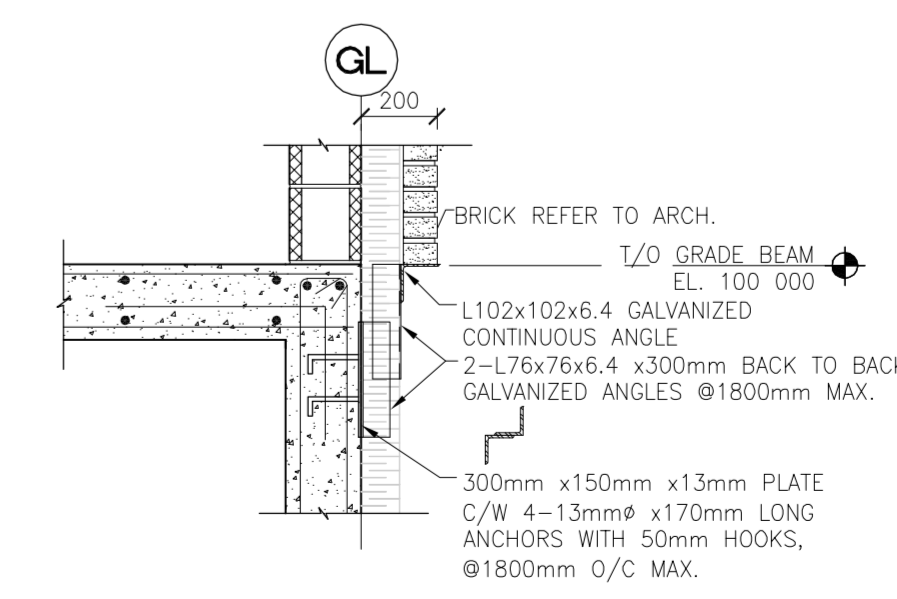
9 SECTION
S-3.1 SCALE: 120



10 SECTION
S-3.1 SCALE: 120



11 SECTION
S-3.1 SCALE: 120



12 SECTION
S-3.1 SCALE: 120

NOTE: BRICK LEDGE ANGLES, OUTRIGGERS AND SUPPORTS TO BE SEPARATE PRICE

NO.	REVISION	DATE	BY
3	ISSUED FOR BID OPPORTUNITY	03/27/08	NM
1	ISSUED FOR 99% REVIEW	02/12/08	NM
1	ISSUED FOR 50% REVIEW	12/05/07	NM

THIS DRAWING IS THE EXCLUSIVE PROPERTY OF THE ARCHITECT AND CAN BE REPRODUCED ONLY WITH THE PERMISSION OF THE ARCHITECT IN WHICH CASE THE REPRODUCTION MUST BEAR THE NAME OF THE ARCHITECT.

THE CONTRACTOR SHALL SATISFY HIMSELF THAT ALL DIMENSIONS AND INFORMATION SHOWN ARE CORRECT.

VARIOUS AND MODIFICATIONS TO WORK SHOWN WILL NOT BE ALLOWED WITHOUT WRITTEN PERMISSION OF THE ARCHITECT.

CONSULTANT TOWER PROJECT NO. : 6174

TOWER ENGINEERING GROUP INC.
 208 - 887 CORYDON AVE. WINNIPEG, MB R3M 0W7
 TEL: (204) 925-1150 FAX: (204) 925-1155
 EMAIL: towereng@towereng.ca WEB: www.towereng.ca

APEGN
 Certificate of Authorization
 Tower Engineering Group
 No. 1918 Expiry: April 30, 2008

CALNITSKY ASSOCIATES ARCHITECTS

ARCHITECTURE 124 Nassau Street North Tel: (204) 453-6441
 INTERIOR DESIGN Winnipeg, Manitoba R3L 2H1 Fax: (204) 453-3392 E-mail: caa@escape.ca

PROJECT TITLE
NORBERY-GLENLEE COMMUNITY CENTRE EXPANSION
 26 MOLGAT AVENUE WINNIPEG, MB

SHEET TITLE
FOUNDATION SECTIONS

DRAWN BY	SCALE	SHEET NUMBER
SM	AS SHOWN	S-3.1
CHECKED BY	DATE	
NM	03/27/08	
PROJECT NUMBER	REVISION	
06-017	R3	