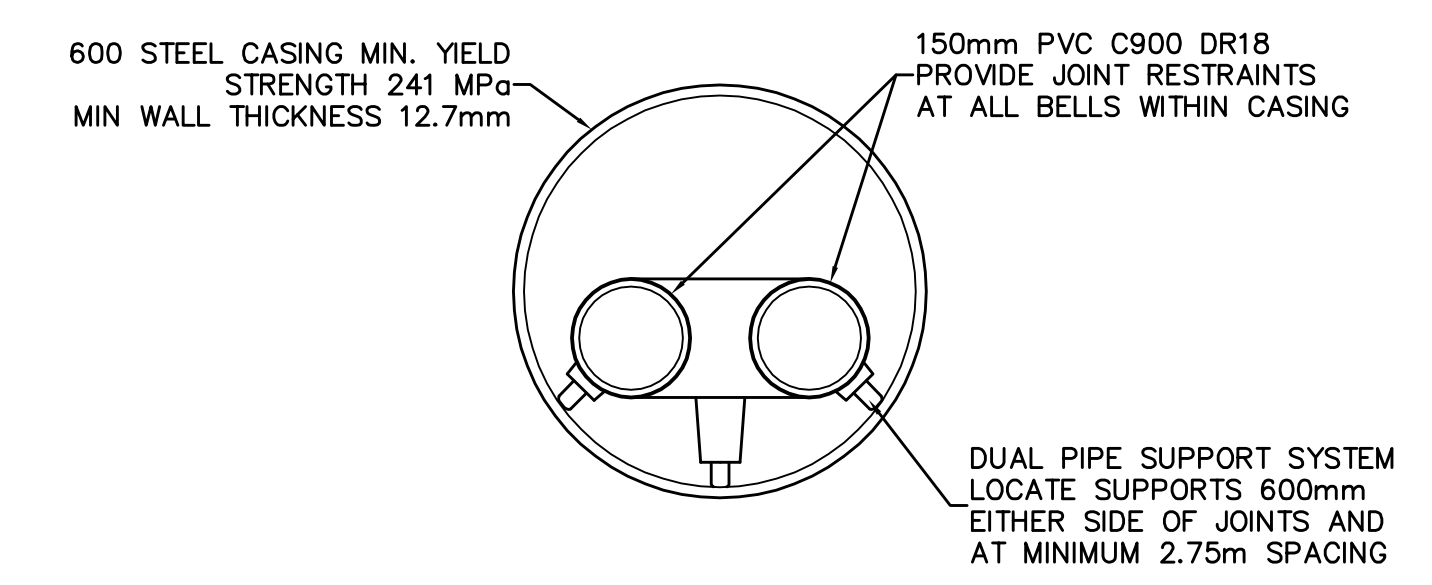


2 AIR RELEASE VALVE MANHOLE
WH-C0206 N.T.S.



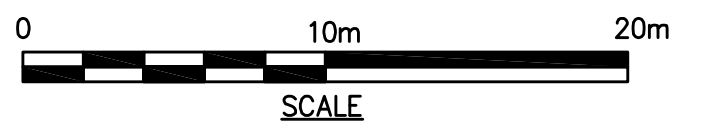
1 CASING DETAIL
WH-C0206 N.T.S.

- CONSTRUCTION NOTES:**
- NO EQUIPMENT ALLOWED WITHIN 10.0m OF AQUEDUCT.
 - NO SOIL STOCKPILES WITHIN 10.0m OF AQUEDUCT.
 - ALL PIPE BEDDING TO BE CLASS B SAND BEDDING UNLESS NOTED.
 - SUBMIT SHORING & EXCAVATION PLAN FOR REVIEW PRIOR TO CONSTRUCTION
- GENERAL NOTES:**
- A. LOCATION OF UNDERGROUND STRUCTURES AS SHOWN ARE BASED ON THE BEST INFORMATION AVAILABLE. BUT NO GUARANTEE IS GIVEN THAT ALL EXISTING UTILITIES ARE SHOWN OR THAT THE GIVEN LOCATIONS ARE EXACT. CONFIRMATION OF EXISTENCE AND EXACT LOCATION OF ALL SERVICES MUST BE OBTAINED FROM THE INDIVIDUAL UTILITIES BEFORE PROCEEDING WITH CONSTRUCTION.

BENCHMARK NOTES:
DRAWING COORDINATES ARE UTM NAD83 - SCALE FACTOR 0.99983

B.M. No.	NORTHING	EASTING	ELEVATION
FILE 136	5523873.734	647764.406	236.242
FILE 133	5523256.606	647782.387	236.056

DESCRIPTION	NORTHING	EASTING
45° BEND STA. 0+92	5524005.652	647819.417
150 SLU BENDS STA. 0+93	5524001.559	647822.161
150 SLU CONNECTION STA. 1+61	5523939.660	647799.762
150 WWS FM 90° BEND STA. 1+00	5523997.157	647819.504
150 WWS FM CONNECTION STA. 1+61	5523940.001	647798.822
N. CASING END STA. 1+14	5523983.938	647814.827
S. CASING END STA. 1+30	5523969.834	647809.724
AIR RELEASE MANHOLE	5523987.926	647818.501



 Certificate of Authorization Earth Tech Canada Inc. No. 730 Expiry: April 30, 2007	B.M. ELEV.	 Frederickson Cooper ARCHITECTS	 A Tyco International Ltd. Company	ENGINEER'S SEAL	 THE CITY OF WINNIPEG WATER AND WASTE DEPARTMENT ENGINEERING DIVISION
				DESIGNED BY GSK	
	01 REVISED CONTRACT LIMITS 07/04/05 GSK	DRAWN BY JBC	APPROVED BY AHL	2007/02/20	WATER TREATMENT PLANT SITE UTILITIES CIVIL 150 SANITARY FORCE MAIN STA. 0+92 TO STA. 1+61
00 ISSUED FOR TENDER (94-2007) 07/02/20 GSK	SCALE: 1:250 HOR 1:50 VER	RELEASED FOR CONSTRUCTION BY: R. SOROKOWSKI	CONSULTANT DRAWING NO. WH-C0206	CITY FILE NUMBER	
NO. REVISIONS	DATE BY	DATE 2006/11/21	DATE 2007/02/20	SHEET OF	CITY DRAWING NUMBER