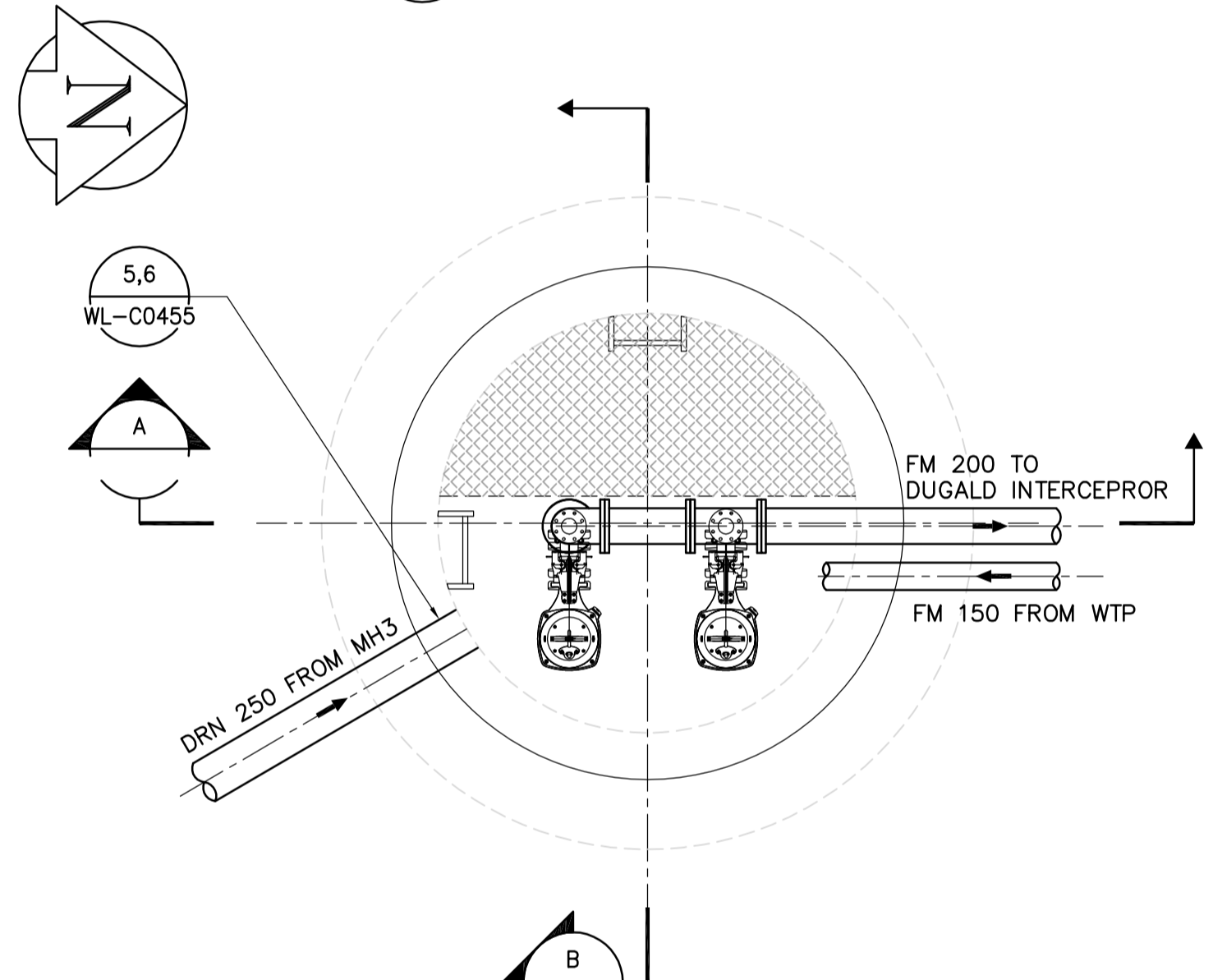
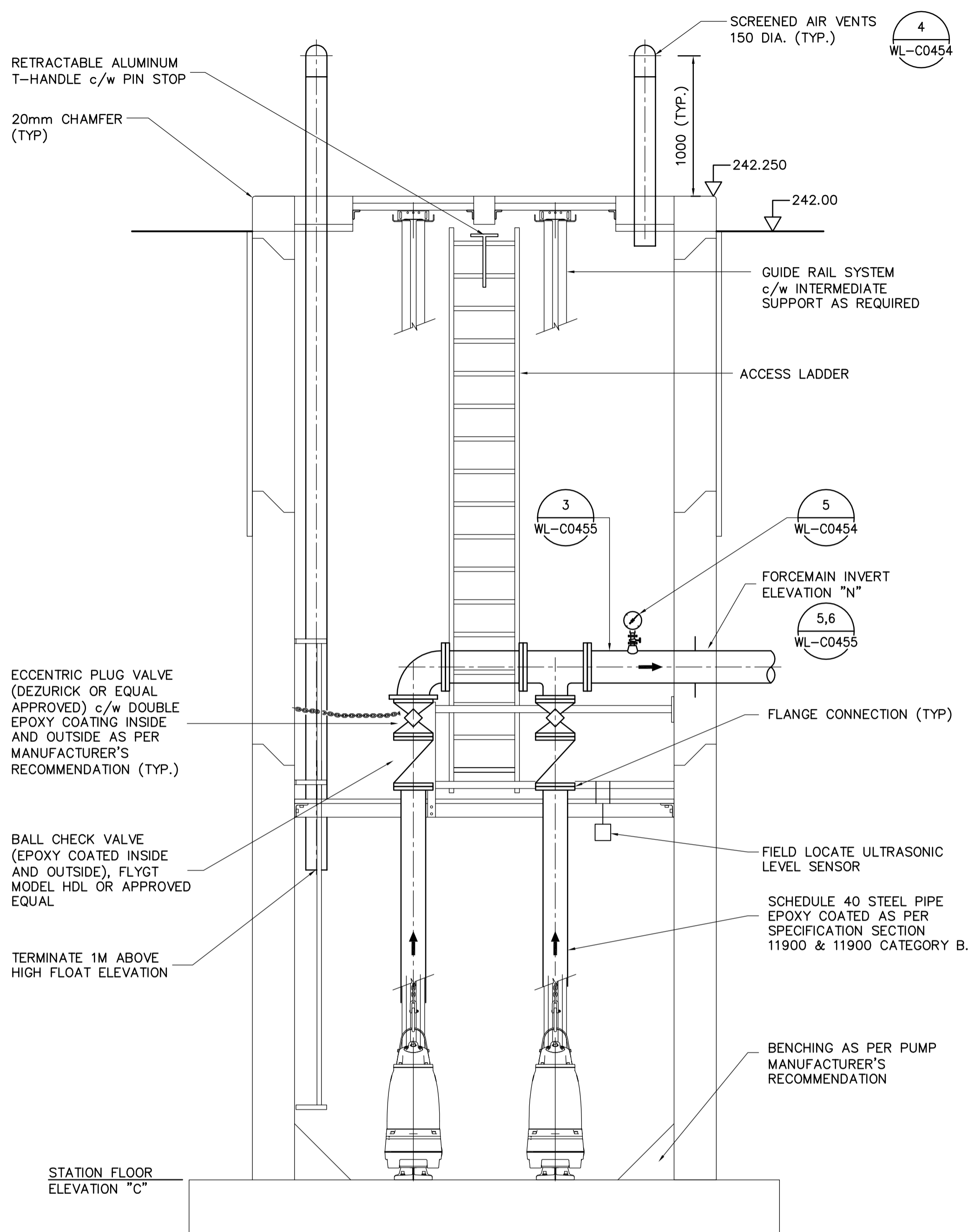


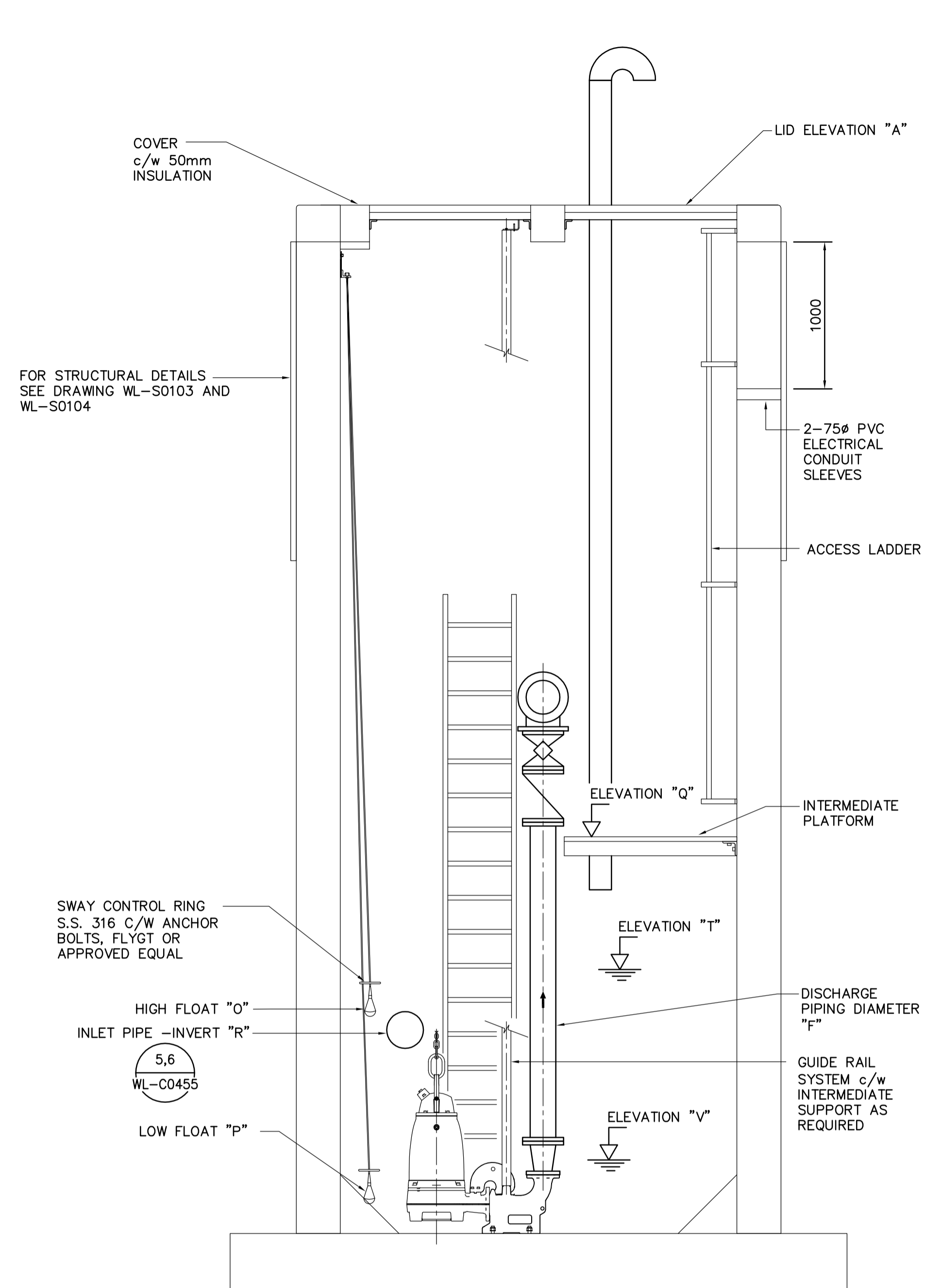
PLAN VIEW AT 242.25  
1:40



PLAN VIEW  
1:40



SECTION A  
1:25



SECTION B  
1:25

| PARAMETERS                            | LETTER | DIAMETER | ELEVATION | OTHER NOTES    |
|---------------------------------------|--------|----------|-----------|----------------|
| LID ELEVATION                         | A      | N/A      | 242.25    |                |
| FINISHED GRADE ELEVATION              | B      |          | 242.00    |                |
| STATION FLOOR ELEVATION               | C      |          | 235.25    |                |
| STATION DIAMETER                      | D      | 2.7m     |           |                |
| TOTAL DEPTH                           | E      |          |           | 7.0M           |
| INDIVIDUAL PUMP DISCHARGE PIPING DIA. | F      | 150mm    | 238.80    |                |
| NUMBER OF PUMPS                       | G      |          |           | 2              |
| PUMP TYPE                             | H      |          |           | FLYGT OR EQUAL |
| PUMP MODEL No.                        | I      |          |           | NP3171 SH      |
| POWER SUPPLY VOLTAGE                  | J      |          |           | 600V           |
| POWER TYPE (NO. OF PHASES)            | K      |          |           | 3              |
| INVERT INLET PIPE FROM WTP            | M      | 150mm    | 239.35    |                |
| FORCEMAIN INVERT ELEVATION & DIA.     | N      | 200mm    | 239.35    |                |
| HIGH FLOAT ELEVATION                  | O      |          | 237.25    |                |
| LOW FLOAT ELEVATION                   | P      |          | 235.55    |                |
| INTERMEDIATE PLATFORM ELEVATION       | Q      |          | 237.55    |                |
| INVERT INLET PIPE FROM MH3            | R      | 250mm    | 236.45    |                |
| PUMP LEAD START ELEVATION             | T      |          | 237.25    |                |
| PUMP LAG START ELEVATION              | U      | N/A      | N/A       |                |
| ALL PUMPS OFF ELEVATION               | V      |          | 235.75    |                |
| FLOW RATE AND HEAD                    | X      |          |           | 35.5 L/s @ 42m |

NOTES:

- CONTRACTOR TO FIELD VERIFY SURFACE ELEVATIONS IN CASE OF VARIATION. ALL ELEVATIONS SHALL BE ADJUSTED ACCORDINGLY.
- FOR ALL FITTINGS BELOW GRADE, PROVIDE CONCRETE THRUST BLOCKS AS PER CITY OF WINNIPEG STANDARD CONSTRUCTION SPECIFICATIONS.
- SECURE CONNECTIONS FOR PIPING TO PREVENT VIBRATIONS.
- PROVIDE SUITABLE LENGTH CABLES.
- PROVIDE 1300x1000x200 DEEP CONCRETE PAD TO MOUNT CONTROL PANEL. PAD TO BE R/W 15M @ 300 o/c E.W. MID.

|  |               |                                       |                                       |                 |  |   |  |                  |
|--|---------------|---------------------------------------|---------------------------------------|-----------------|--|---|--|------------------|
| <br>Certificate of Authorization<br>Earth Tech Canada Inc.<br>No. 730 Expiry: April 30, 2007 | B.M. ELEV.    | <br>Frederickson Cooper<br>ARCHITECTS | <br>A Tyco International Ltd. Company | ENGINEER'S SEAL | <br>THE CITY OF WINNIPEG<br>WATER AND WASTE DEPARTMENT<br>ENGINEERING DIVISION |   |  |                  |
|  |               |                                       |                                       | DESIGNED BY SM  |  | CHECKED BY SRB                              | ORIGINAL SIGNED BY S.R. BILEVICIUS                             |                  |
|  |               |                                       |                                       | DRAWN BY JBC    |  | APPROVED BY DJT                             | 2006/03/07   |                  |
|  |               |                                       |                                       | SCALE: AS NOTED |  | RELEASED FOR CONSTRUCTION BY: R. SOROKOWSKI | CONSULTANT DRAWING NO. WL-C0405                                |                  |
|  | NO. REVISIONS | DATE                                  | DATE                                  | 2005/12/23      | DATE   | 06/03/07                                    | WATER TREATMENT PLANT<br>CONSTRUCTION OF DEWATERING CELLS      | CITY FILE NUMBER |
|  |               |                                       |                                       |                 |  |   | CIVIL<br>DEWATERING PUMP STATION<br>PLAN, SECTIONS AND DETAILS | SHEET OF         |
|  |               |                                       |                                       |                 |  |   | CITY DRAWING NUMBER<br>1-0601L-A-C0405-001-02D                 |                  |