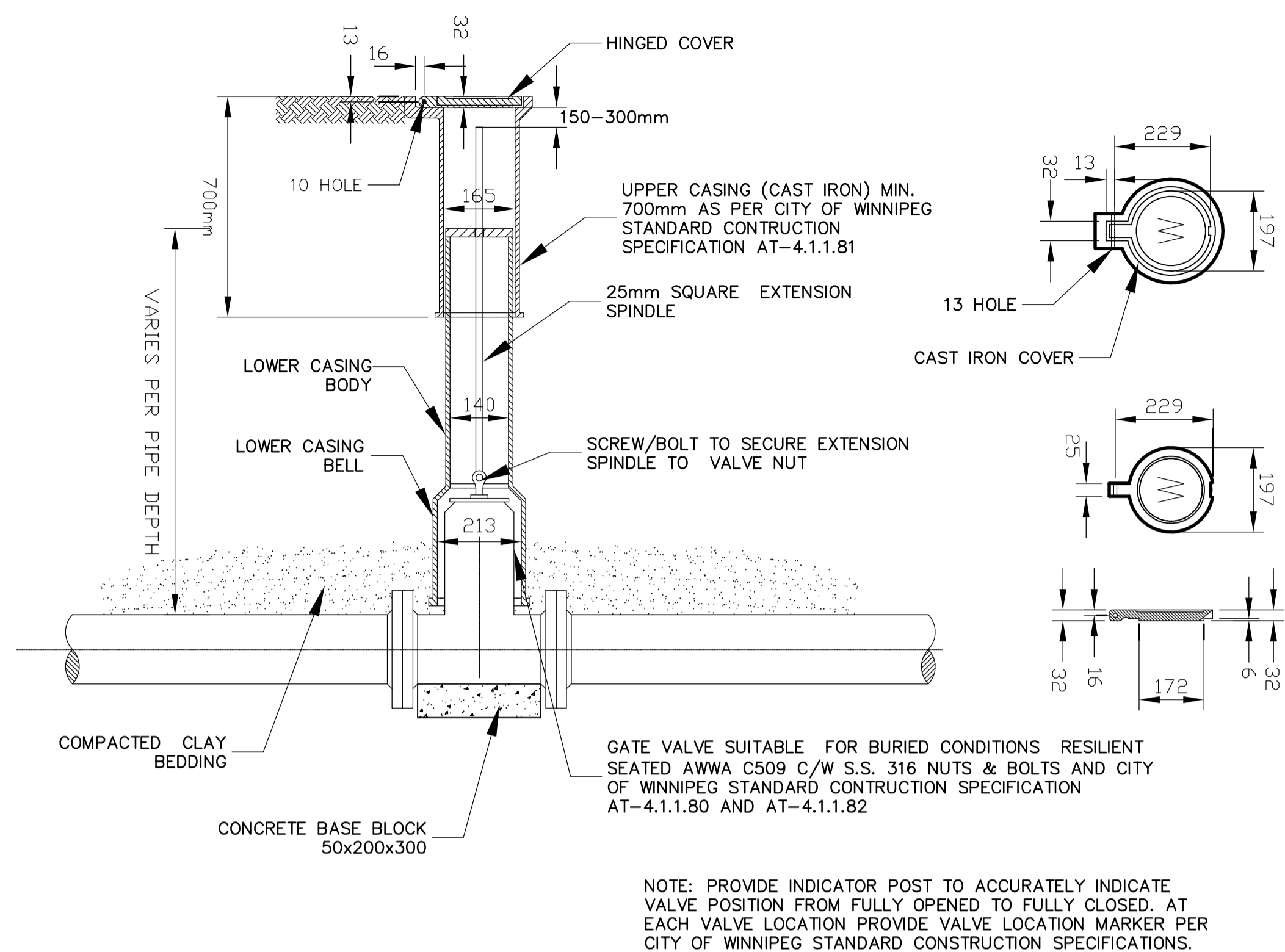
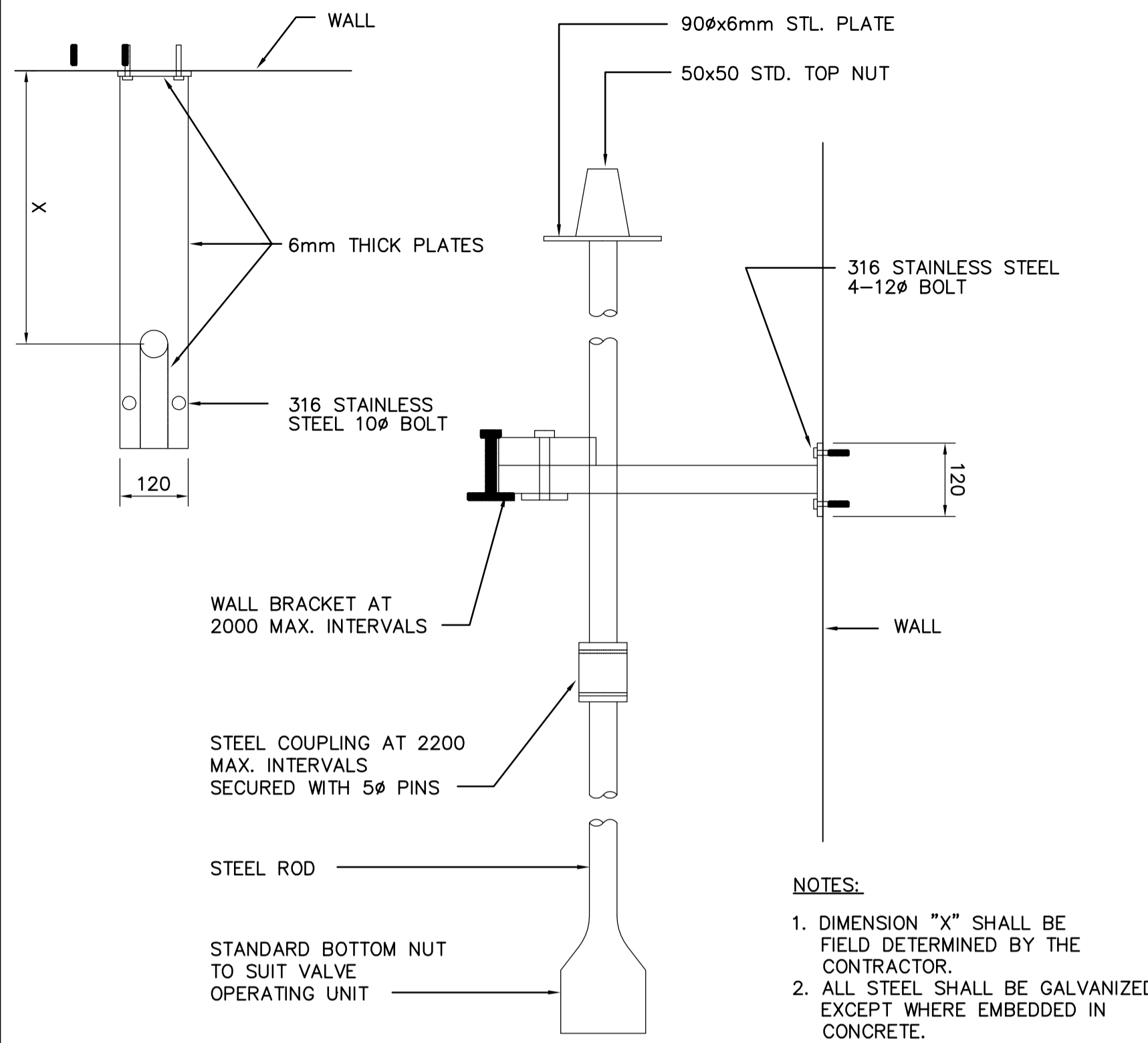


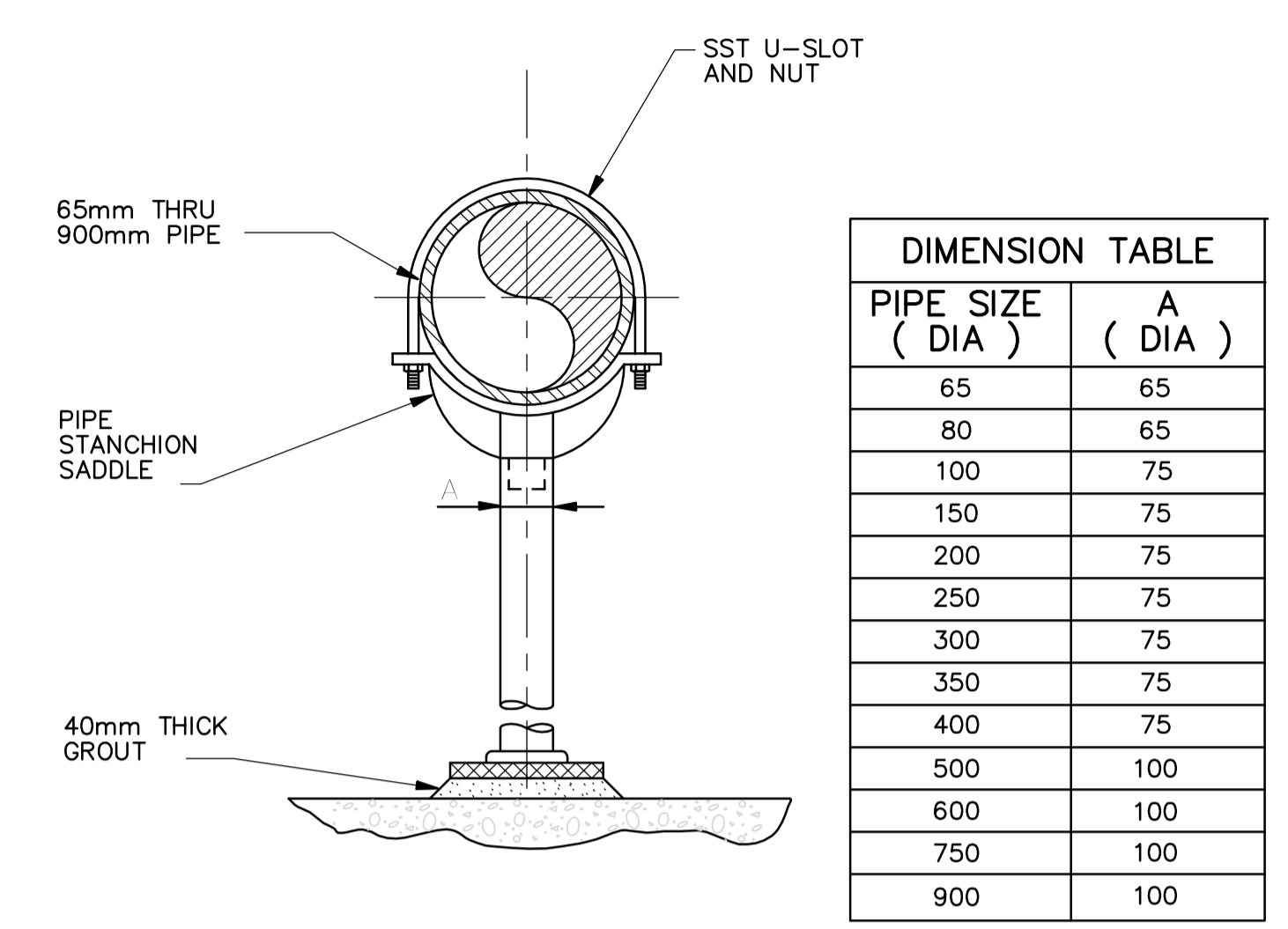
SHEET: WL-0454-A1



1 BURIED GATE DETAIL  
N.T.S.

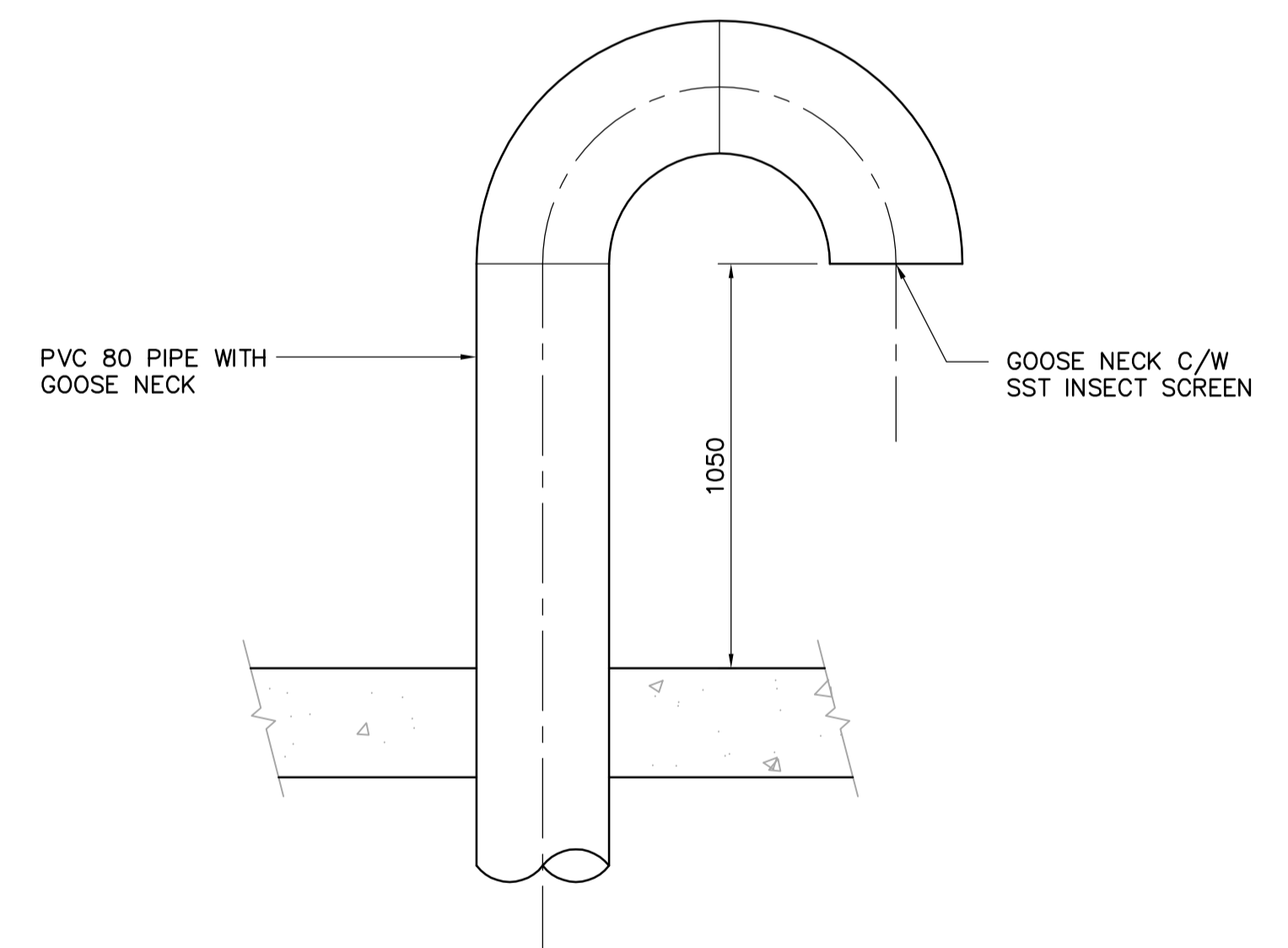


2 VALVE OPERATING ROD AND BRACKET  
N.T.S.

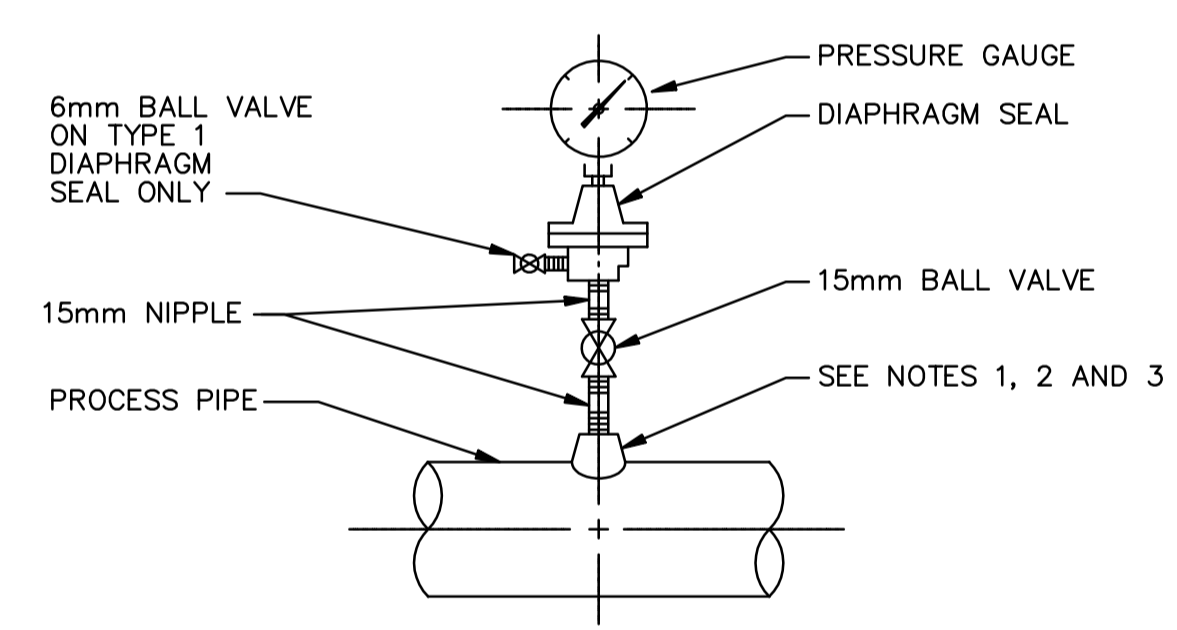


NOTES:  
1: ALL DIMENSIONS IN MILLIMETERS, UNLESS OTHERWISE NOTED.

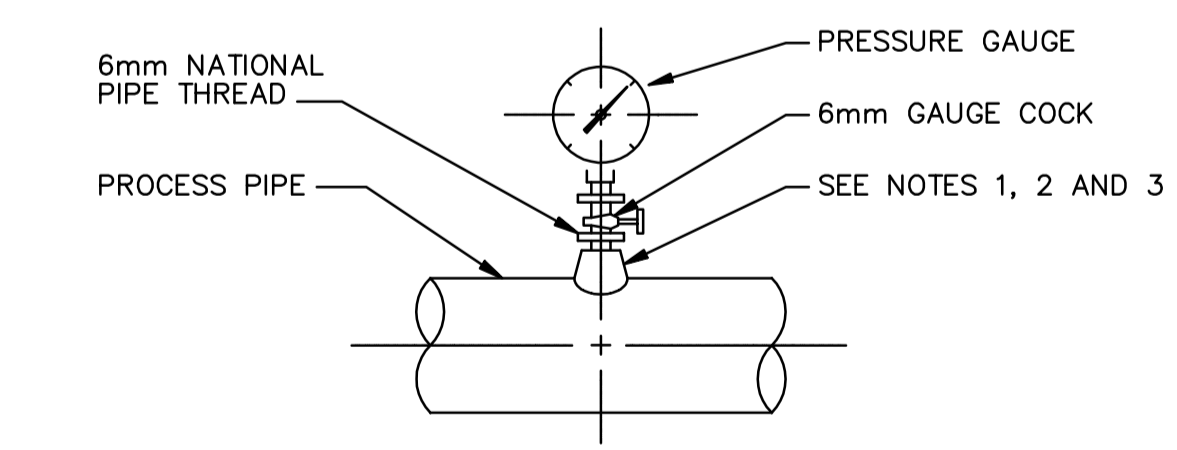
3 PIPE SUPPORT  
N.T.S.



4 GOOSENECK ROOF INTAKE OR DISCHARGE  
N.T.S.



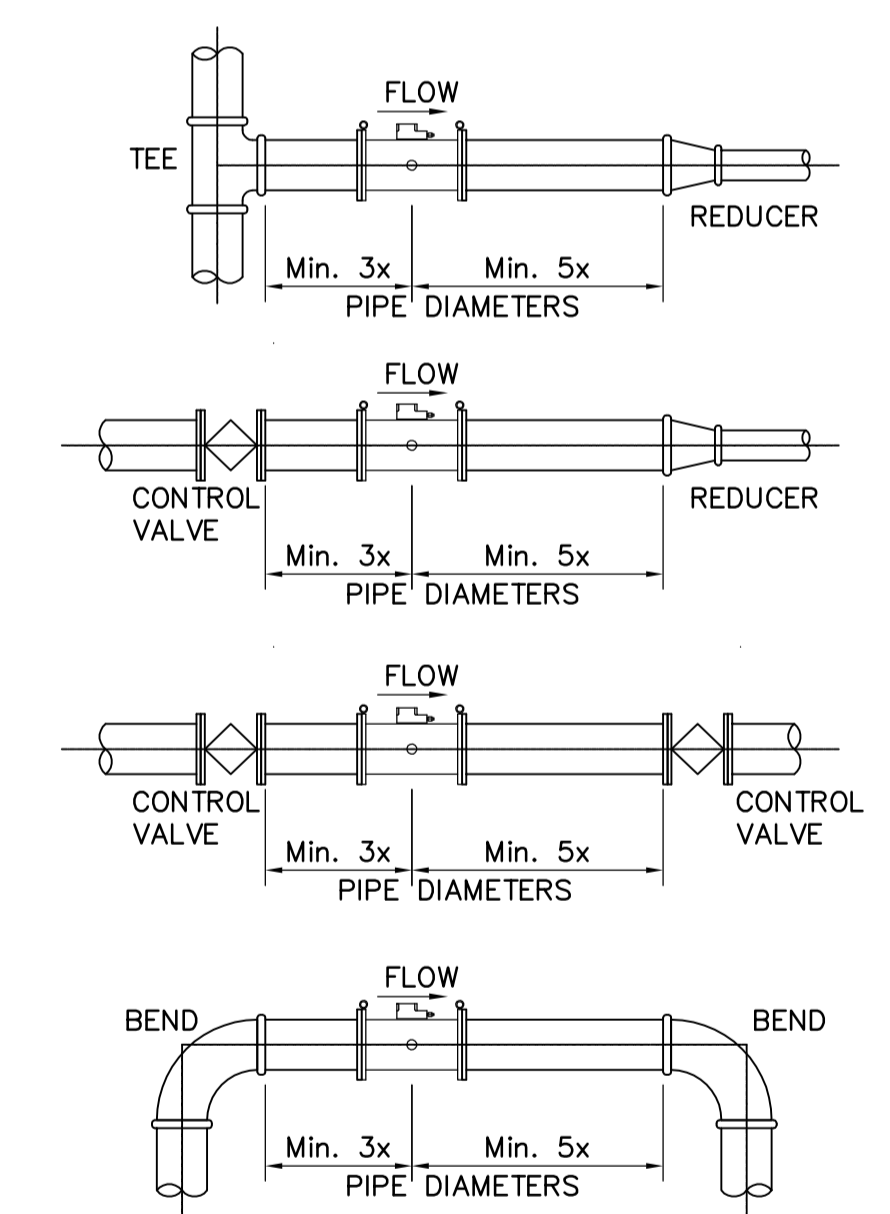
DIAPHRAGM PRESSURE GAUGE



PRESSURE GAUGE

NOTES:  
1. ALL DIMENSIONS IN MILLIMETERS, UNLESS OTHERWISE NOTED.  
2. FOR STEEL, GALVANISED STEEL, AND PVC 65mm AND SMALLER USE A BUSHING IN A TEE.  
3. FOR DUCTILE IRON AND FIBERGLASS REINFORCED PLASTIC PIPE, ALL SIZES, USE PIPE SADDLE WITH BUSHING.  
4. FOR STEEL AND STAINLESS STEEL PIPES 80mm AND LARGER, AND PRESSURE VESSELS, USE THRED-O-LET AS SHOWN.  
5. PROVIDE SNUBBER FOR POSITIVE DISPLACEMENT PUMP INSTALLATIONS.

5 PRESSURE GAUGE MOUNTING  
N.T.S.



NOTES:  
1. REFER TO THE MANUFACTURER'S INSTALLATION INSTRUCTIONS IN CONJUNCTION WITH THESE INSTALLATION RECOMMENDATIONS.  
2. WHERE SPECIFIC INSTALLATION CONFLICTS ARISE THAT MIGHT PREVENT THESE INSTALLATION RECOMMENDATIONS FROM BEING COMPLIED WITH, CONSULT THE ENGINEER BEFORE PROCEEDING WITH THE INSTALLATION.  
3. WHERE THE DRAWINGS INDICATE DIMENSIONS THAT DIFFER FROM THESE DETAILS, THE DRAWINGS SHALL TAKE PRIORITY.

6 MAGNETIC FLOWMETER  
N.T.S.

 <b>Certificate of Authorization</b> Earth Tech Canada Inc. No. 730 Expiry: April 30, 2007	B.M. ELEV. <table border="1"> <tr><td> </td><td> </td><td> </td><td> </td></tr> <tr><td> </td><td> </td><td> </td><td> </td></tr> <tr><td> </td><td> </td><td> </td><td> </td></tr> <tr><td> </td><td> </td><td> </td><td> </td></tr> </table>																	 Frederickson Cooper ARCHITECTS	 A Tyco International Ltd. Company	ENGINEER'S SEAL	 <b>THE CITY OF WINNIPEG</b> WATER AND WASTE DEPARTMENT ENGINEERING DIVISION
DESIGNED BY SM CHECKED BY SRB DRAWN BY JBC APPROVED BY DJT SCALE: NONE RELEASED FOR CONSTRUCTION BY: R. SOROKOWSKI DATE 2006/01/11 DATE 06/03/07	ORIGINAL SIGNED BY S.R. BILEVICIUS 2006/03/07 CONSULTANT DRAWING NO. WL-C0454	WATER TREATMENT PLANT CONSTRUCTION OF DEWATERING CELLS CIVIL STANDARD DETAILS SHEET 4	CITY FILE NUMBER SHEET OF CITY DRAWING NUMBER 1-0601L-A-C0454-001-02D																		