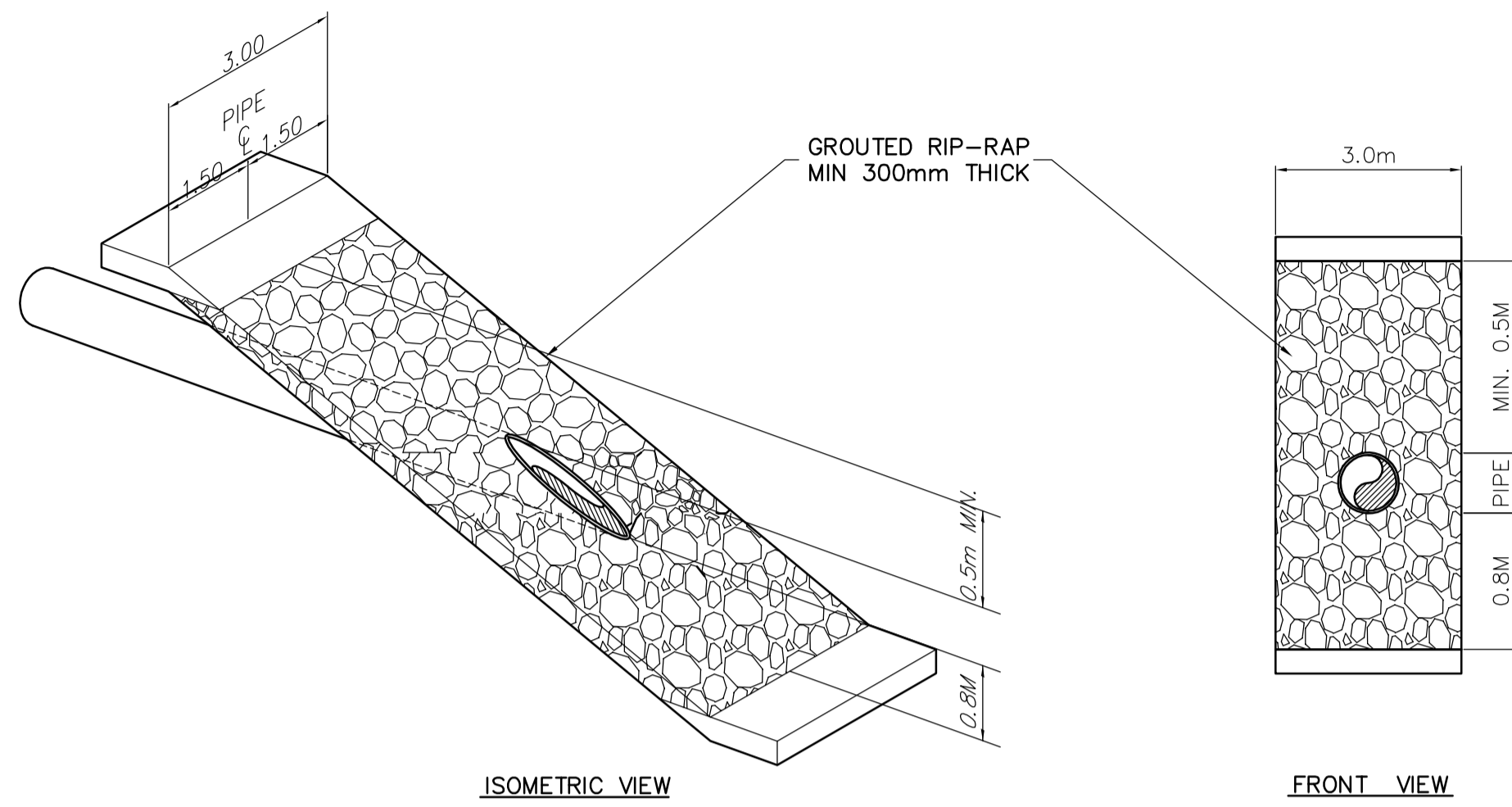
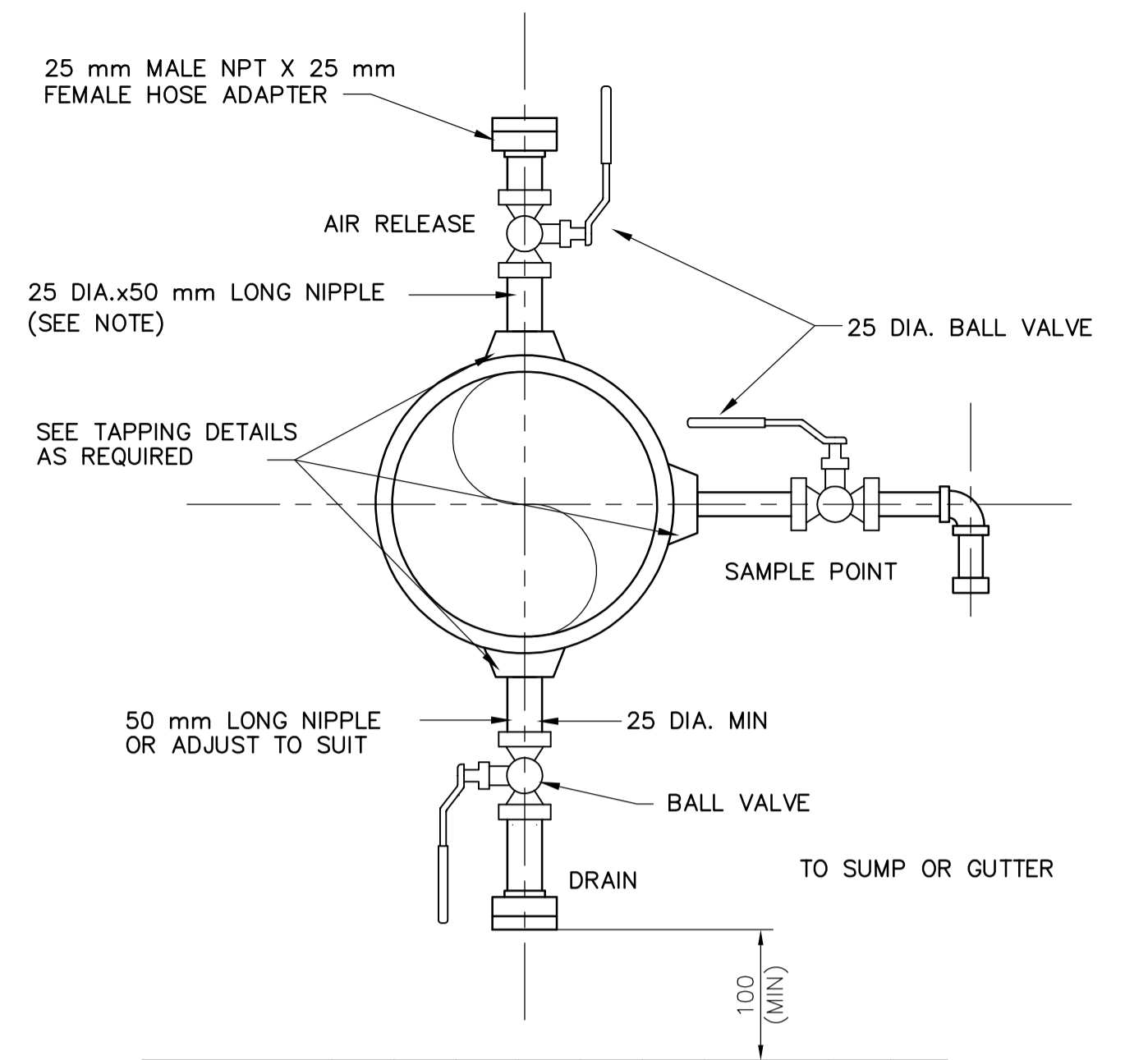


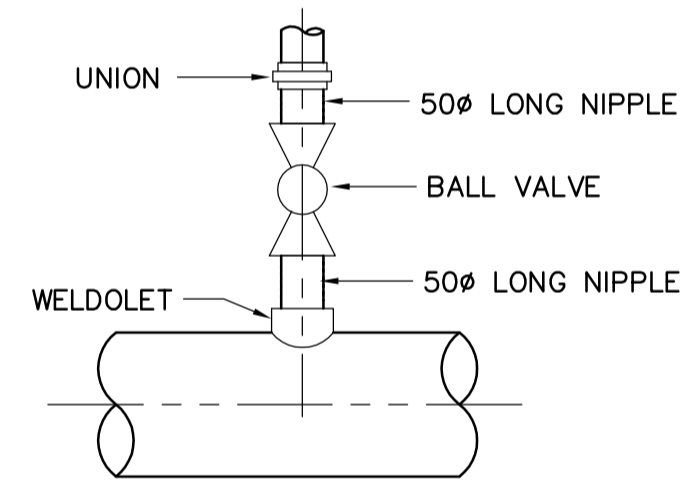
1 WINCH SUPPORT DETAIL



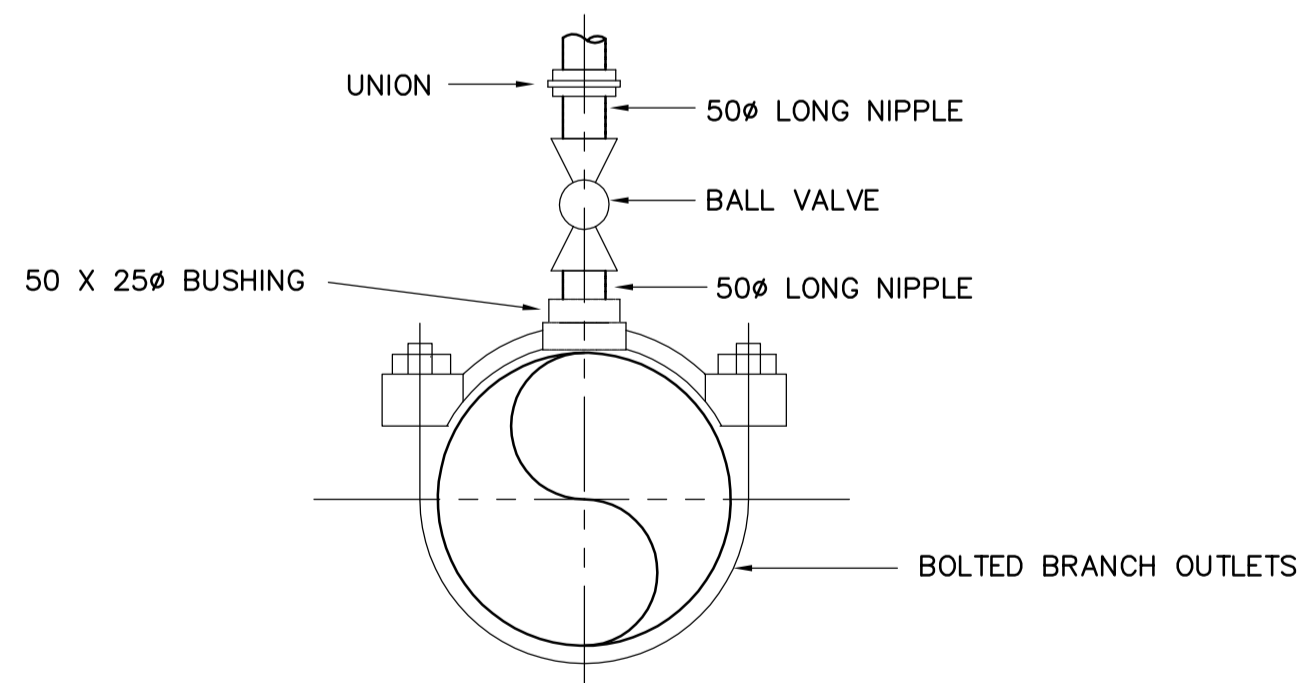
2 PIPE/RIP-RAP DETAIL



3 25mm AIR RELEASE, SAMPLE AND DRAIN CONNECTION DETAILS

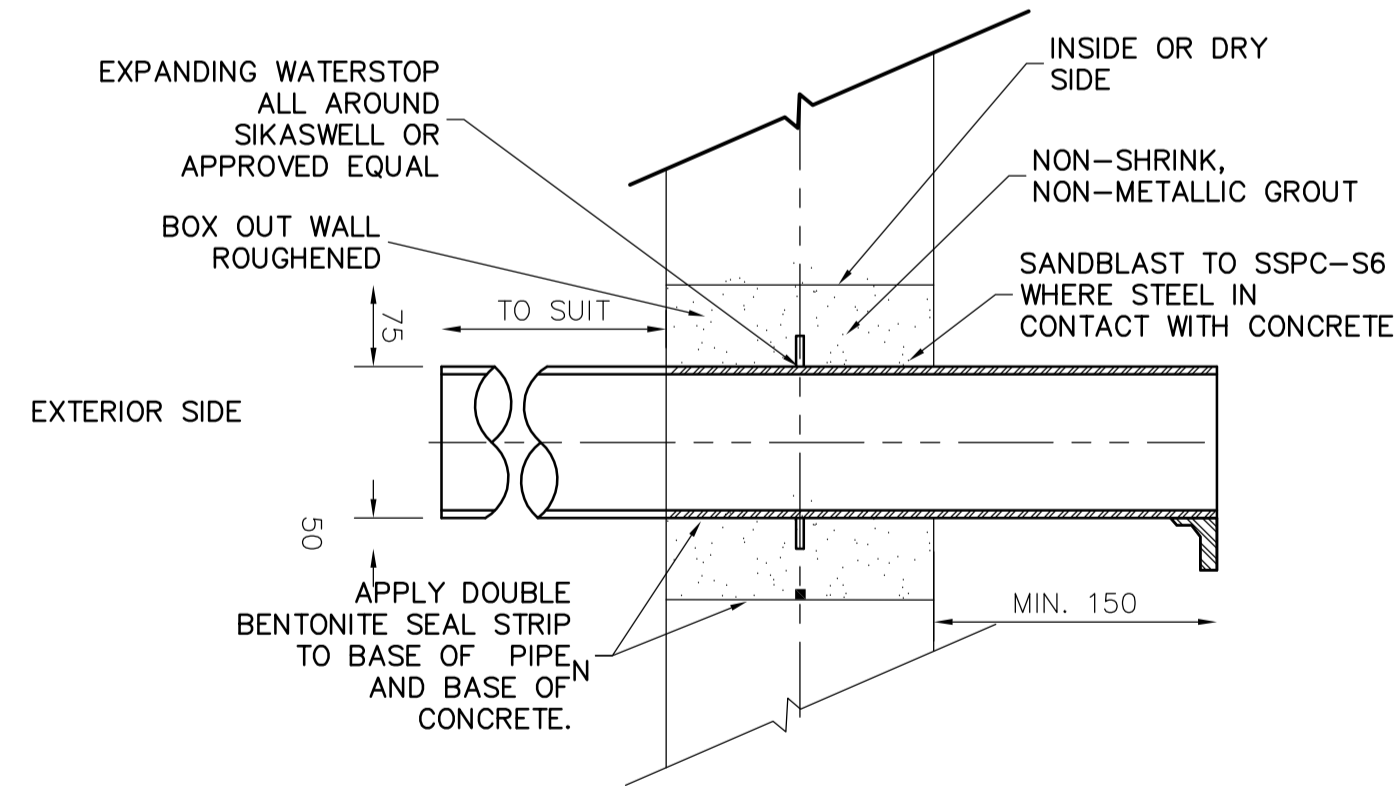


TYPE 1 PIPING LARGER THAN 200mm EXCLUDING PVC, FRP, & DI



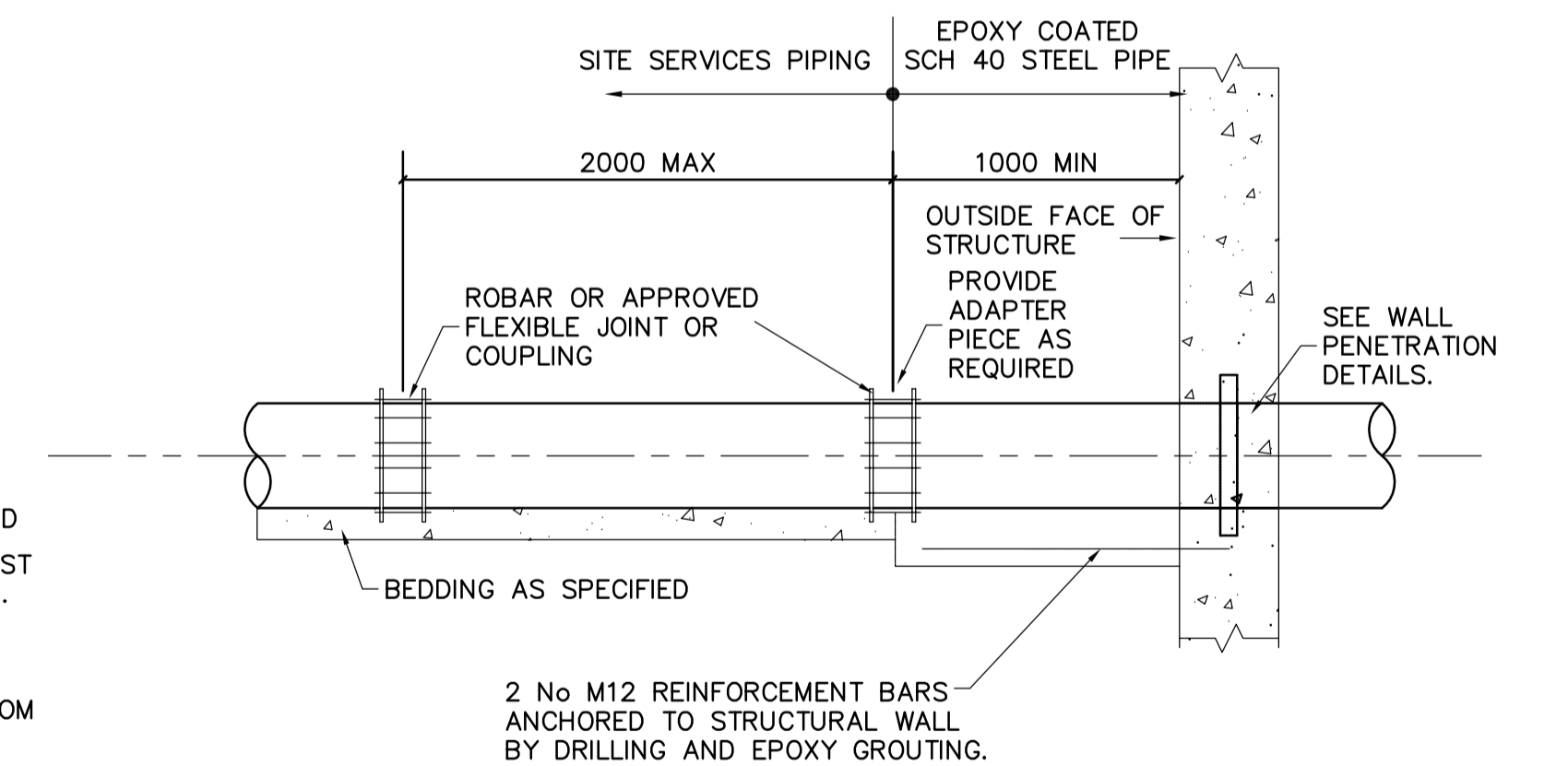
TYPE 2 SERVICE SADDLE FOR ALL PVC, S.S., FRP, DI & STEEL LINES 200mm AND LESS.

4 TYPE 1 AND 2 TAPPINGS



5 TYPE 1 WALL PENETRATION

- APPLICATION NOTES
1. CONCRETE WALL
 2. STEEL OR STAINLESS STEEL PIPE.
 3. CONDITION
 - a) WET TO DRY
 - b) WET TO WET
 - c) INTERIOR TO EXTERIOR
 4. NO TRANSVERSE MOVEMENT ALLOWED
 5. LIQUID SIDE MUST PASS LEAKAGE TEST TO WHICH STRUCTURE IS SUBJECTED.
 6. SAME DETAIL FOR VERTICAL OR HORIZONTAL WALL.
 7. PIPE MAY BE CAST IN PLACE WITHIN THE FORMWORK, WITH APPROVAL FROM THE CONTRACT ADMINISTRATOR.



6 SUPPORTED UNDERGROUND PIPE CONNECTION TO STRUCTURE

<p>Certificate of Authorization Earth Tech Canada Inc. No. 730 Expiry: April 30, 2007</p>	B.M. ELEV.	<p>Frederickson Cooper ARCHITECTS</p>	<p>A Tyco International Ltd. Company</p>	ENGINEER'S SEAL	<p>THE CITY OF WINNIPEG WATER AND WASTE DEPARTMENT ENGINEERING DIVISION</p>		
				DESIGNED BY SM		CHECKED BY SRB	ORIGINAL SIGNED BY S.R. BILEVICIUS
				DRAWN BY JBC		APPROVED BY DJT	2006/03/07
				SCALE: NONE		RELEASED FOR CONSTRUCTION BY: R. SOROKOWSKI	CONSULTANT DRAWING NO. WL-C0455
	NO. REVISIONS	DATE	BY	DATE	<p>WATER TREATMENT PLANT CONSTRUCTION OF DEWATERING CELLS</p> <p>CIVIL STANDARD DETAILS SHEET 5</p>		
		02 ISSUED FOR TENDER (94-2007) 07/02/20 LAE		2006/01/11	CITY FILE NUMBER		
		01 ISSUED FOR CONSTRUCTION 06/06/06 JBC		06/03/07	SHEET OF		
		00 ISSUED FOR TENDER 06/03/07 JBC		06/03/07	CITY DRAWING NUMBER		
					1-0601L-A-C0455-001-02D		