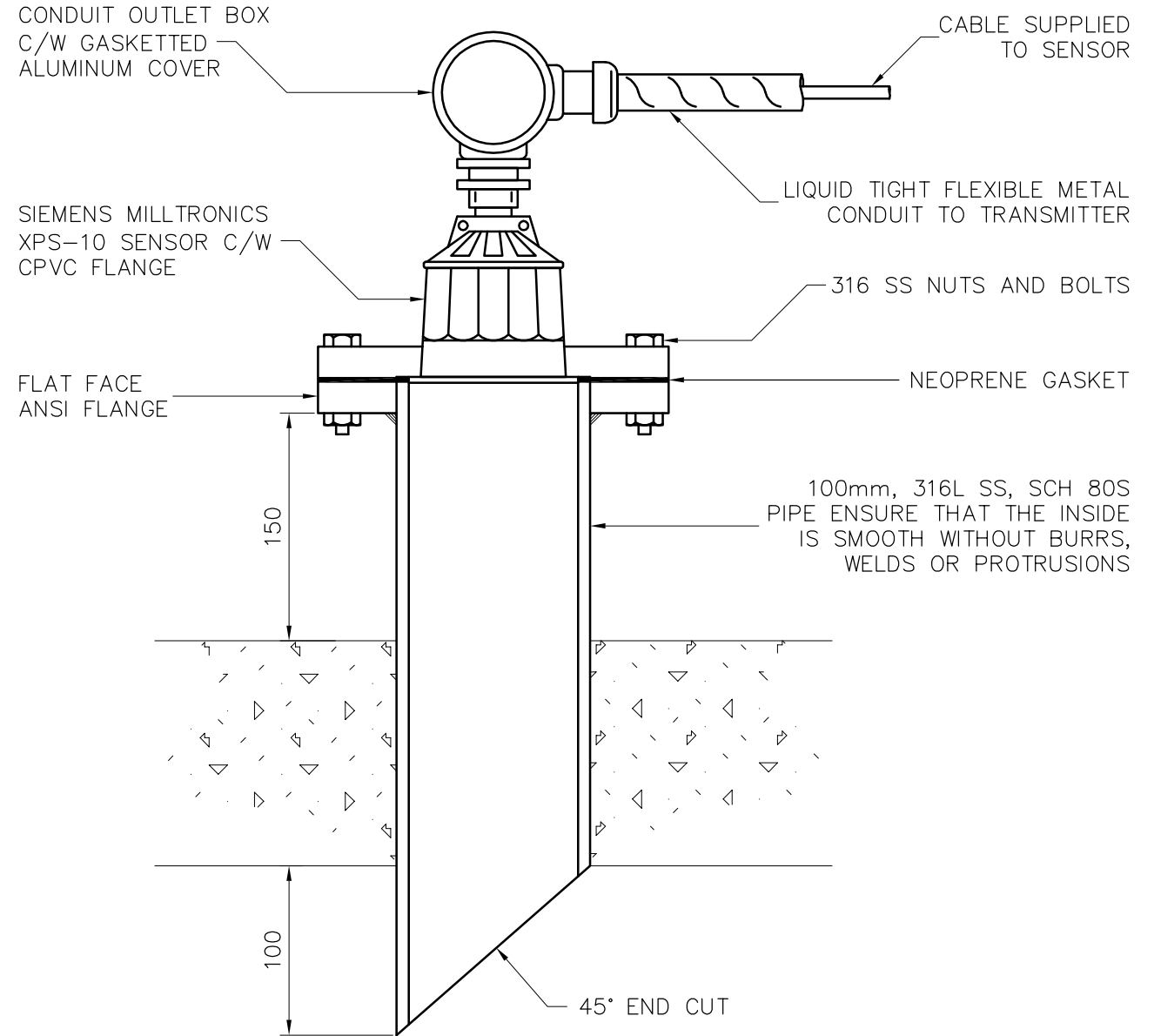


NOTES:

- 1) SENSOR MUST BE MOUNTED IN HORIZONTAL PLANE WITH RESPECT TO INFLUENT FLOW.
- 2) ALL BRACKET COMPONENTS TO BE 304 S.S. BRACKET TO BE MOUNTED WHERE ONLY ONE SECTION OF GRATING IS REQUIRED TO BE REMOVED FOR SENSOR ACCESS.
- 3) RG62U COAXIAL SIGNAL CABLE TO BE RUN INSIDE FLEXIBLE LIQUID TIGHT METALLIC CONDUIT AND FASTENED TO BRACKET WITH "P" CLAMPS.
- 4) SENSOR ELEVATION TO BE AS REQUIRED TO PROVIDE BLANKING SPACE.
- 5) CABLE TO RUN TO TRANSMITTER INDICATOR.

ULTRASONIC LEVEL TRANSDUCER



NOTE:

1. THE CONTRACTOR WILL ENSURE THAT THE XPS-10 SENSOR WILL BE SUITABLE FOR EVERY APPLICATION.

ULTRASONIC LEVEL TRANSDUCER

APECA
 Certificate of Authorization
 Earth Tech Canada Inc.
 No. 730 Expiry: April 30, 2007

B.M. ELEV.			
00	ISSUED FOR TENDER (94-2007)	07/02/20	LAE
NO.	REVISIONS	DATE	BY

CH2M HILL Frederickson Cooper [REGISTERED]		EarthTech A Type International Ltd. Company	
DESIGNED BY	NT	CHECKED BY	SWT
DRAWN BY	GLG	APPROVED BY	AHL
SCALE:	NTS	RELEASED FOR CONSTRUCTION BY:	R. SOROKOWSKI
DATE	2006/01/03	DATE	2007/02/19

ENGINEER'S SEAL
 ORIGINAL SIGNED BY
 S.W. TORMEY
 2007/02/19
 CONSULTANT DRAWING NO.
 WL-A0401

THE CITY OF WINNIPEG
 WATER AND WASTE DEPARTMENT
 ENGINEERING DIVISION

WATER TREATMENT PLANT
 SITE UTILITIES

AUTOMATION I&C
 ULTRASONIC LEVEL TRANSDUCER
 INSTRUMENTATION STANDARD DETAILS

CITY FILE NUMBER	
SHEET	OF
CITY DRAWING NUMBER	1-0601L-D-A0401-001-00B