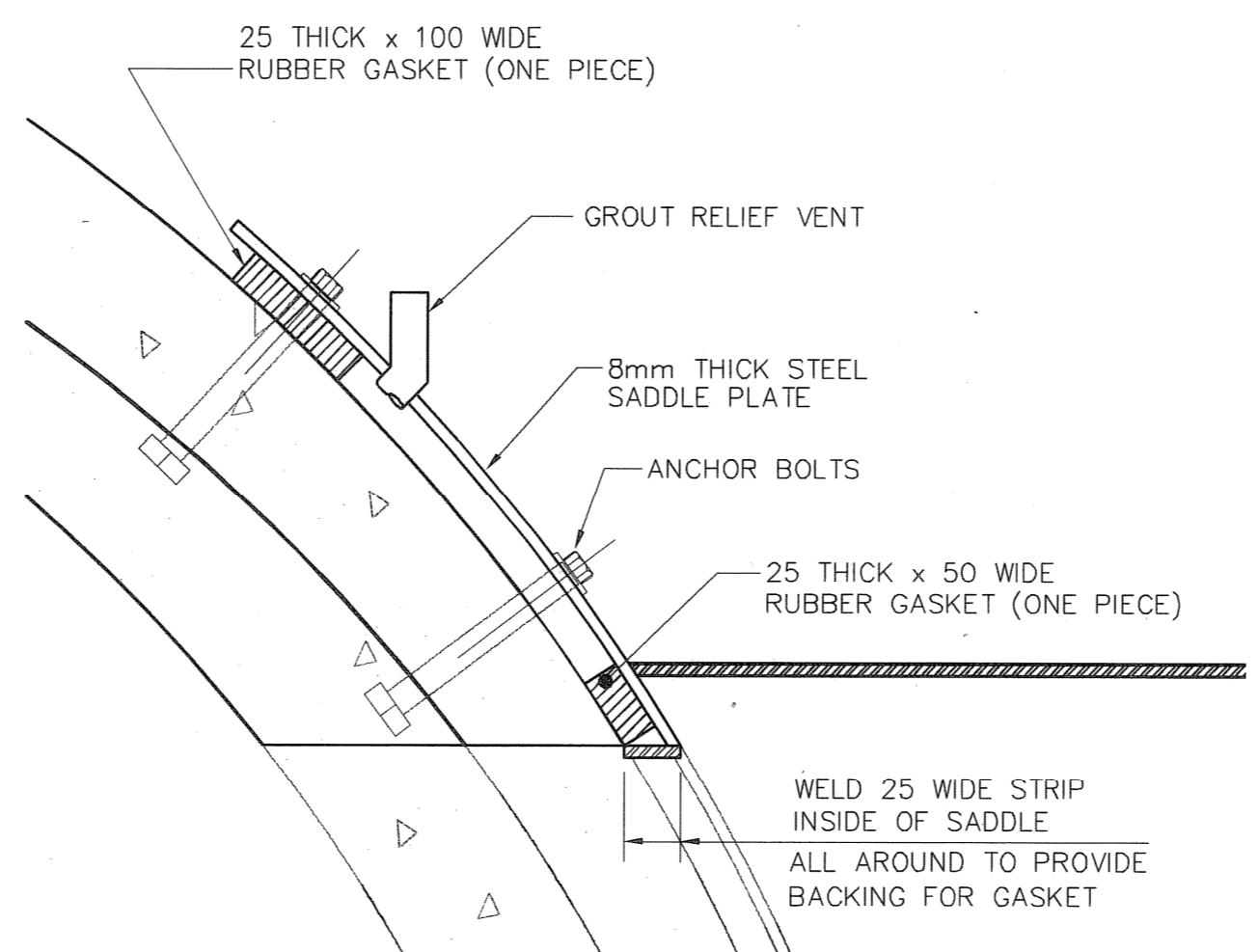
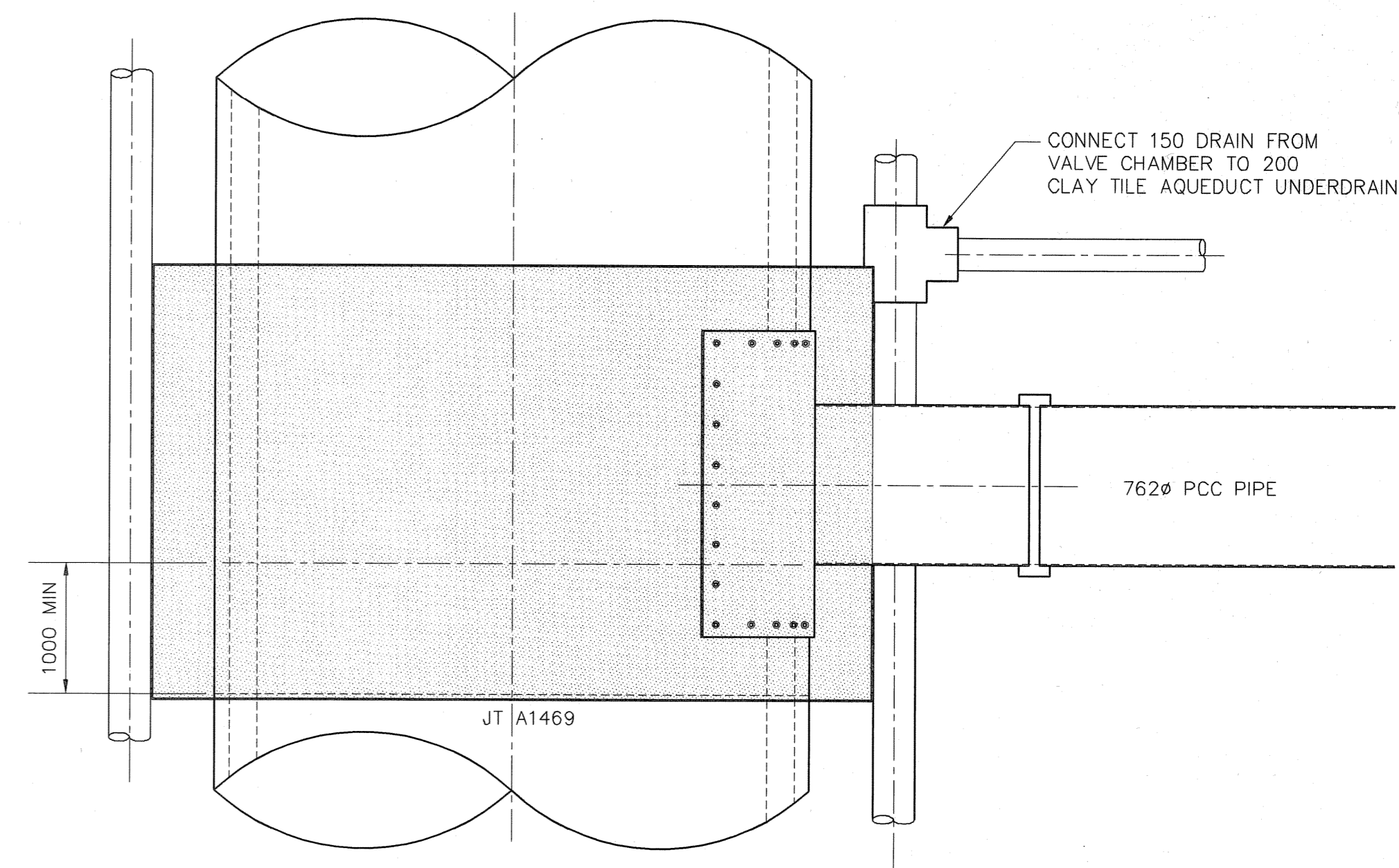


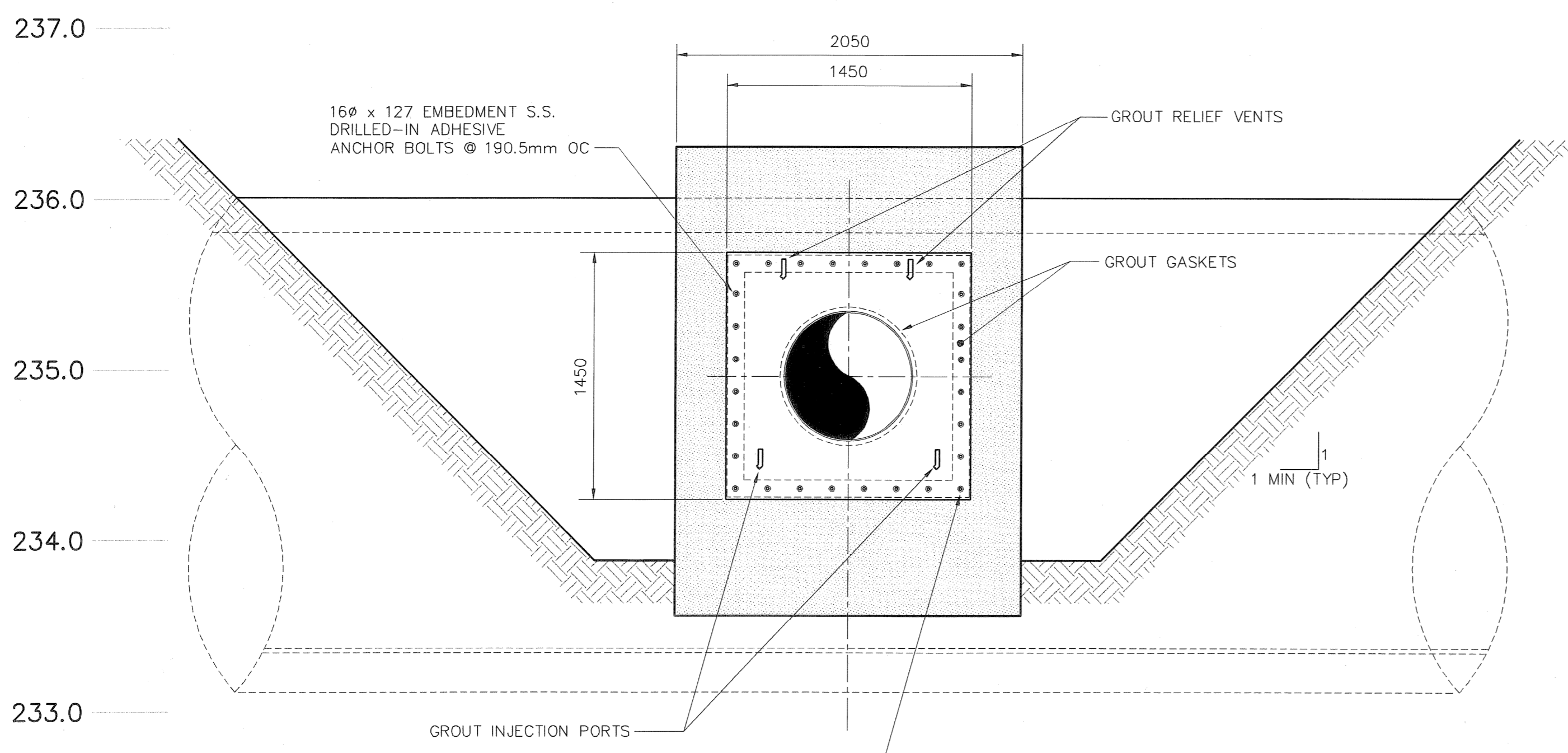
LOCATION PLAN
SCALE 1:250



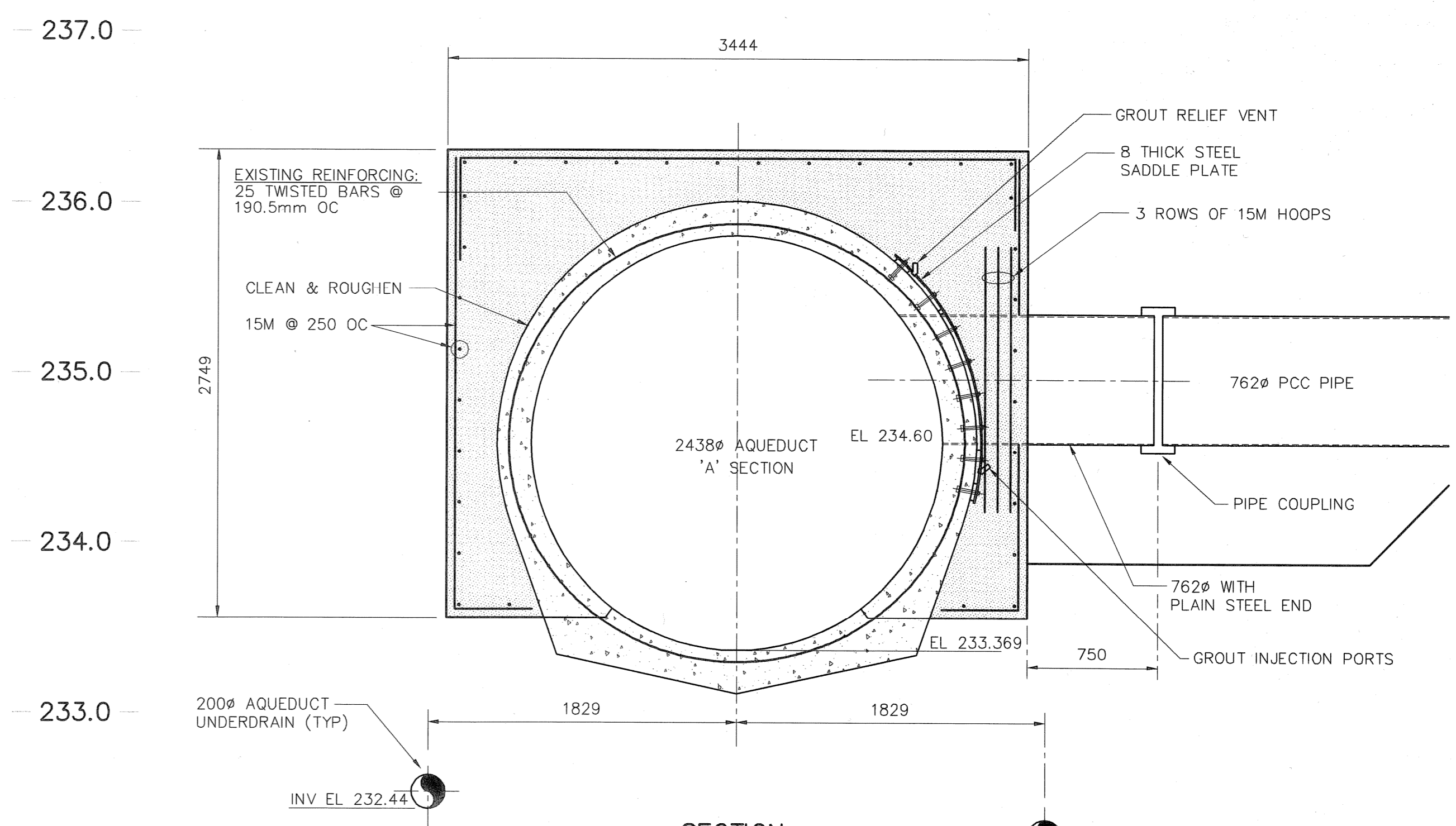
GASKET & ANCHOR DETAIL
SCALE 1:5



PLAN
SCALE 1:25

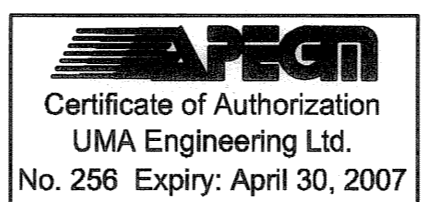


ELEVATION
SCALE 1:25



SECTION
SCALE 1:25

- SITE CONSTRUCTION NOTES:**
1. EXPOSE TIE-IN LOCATION.
 2. FABRICATE SADDLE TEMPLATE TO FIT OUTER SURFACE OF AQUEDUCT.
 3. BACKFILL.
 4. COORDINATE CONNECTION TO AQUEDUCT WITH CONTRACT ADMINISTRATOR (VALVE CHAMBER MUST BE COMPLETED PRIOR TO DEWATERING OF AQUEDUCT).
 5. RE-EXPOSE TIE-IN LOCATION.
 6. CLEAN AND ROUGHEN OUTER SURFACE OF AQUEDUCT.
 7. CORE 762# OPENING IN AQUEDUCT.
 8. FIELD DRILL SADDLE ANCHOR BOLTS TO AVOID EXISTING AQUEDUCT REINFORCING.
 9. INSTALL ANCHOR BOLTS.
 10. INSTALL GASKETS AND SADDLE.
 11. USING AIR PRESSURE TEST ANNULUS TO 15 PSI (USE GROUT INJECTION PORT).
 12. INJECT ANNULUS BETWEEN SADDLE AND AQUEDUCT EXTERIOR WITH EPOXY RESIN.
 13. INSTALL REINFORCING STEEL AND POUR CONCRETE ENCASMENT.
 14. COMPLETE CONNECTION TO SUPERNATANT LINE. WRAP ALL EXPOSED STEEL WITH PETROLATUM TAPE (AWWA C217).
 15. CLOSE VALVE.
 16. CITY WILL RECHARGE AQUEDUCT.
 17. CHECK FOR LEAKS, BACKFILL.



| | | | | | |
|---|---------------------------|-------------|--------------------|------|------|
| B.M. ELEV. | | | | | |
| UMA AECOM | | | | | |
| <small>© 2005 UMA ENGINEERING LTD. ALL RIGHTS RESERVED.</small> | | | | | |
| DESIGNED BY | EDT | CHECKED BY | <i>[Signature]</i> | | |
| DRAWN BY | WJd | APPROVED BY | <i>[Signature]</i> | | |
| NO. | REVISIONS | DATE | BY | DATE | DATE |
| 01 | ISSUED FOR TENDER 94-2007 | 07/03/28 | WJd | | |
| 00 | ISSUED FOR TENDER | 07/01/26 | WJd | | |
| | | | | | |

ENGINEER'S SEAL
PROVINCE OF MANITOBA
[Signature]
E. D. J. TOUPIN
REGISTERED PROFESSIONAL ENGINEER

THE CITY OF WINNIPEG
WATER AND WASTE DEPARTMENT
ENGINEERING DIVISION

WINNIPEG WATER TREATMENT PROGRAM
CONSTRUCTION OF SITE UTILITIES

CIVIL
762# SUPERNATANT CONNECTION TO EXISTING AQUEDUCT
LOCATION PLAN, SECTIONS AND DETAILS

CITY FILE NUMBER
SHEET 1 OF 1
CITY DRAWING NUMBER
1-0601Y-C-C0202-001-010