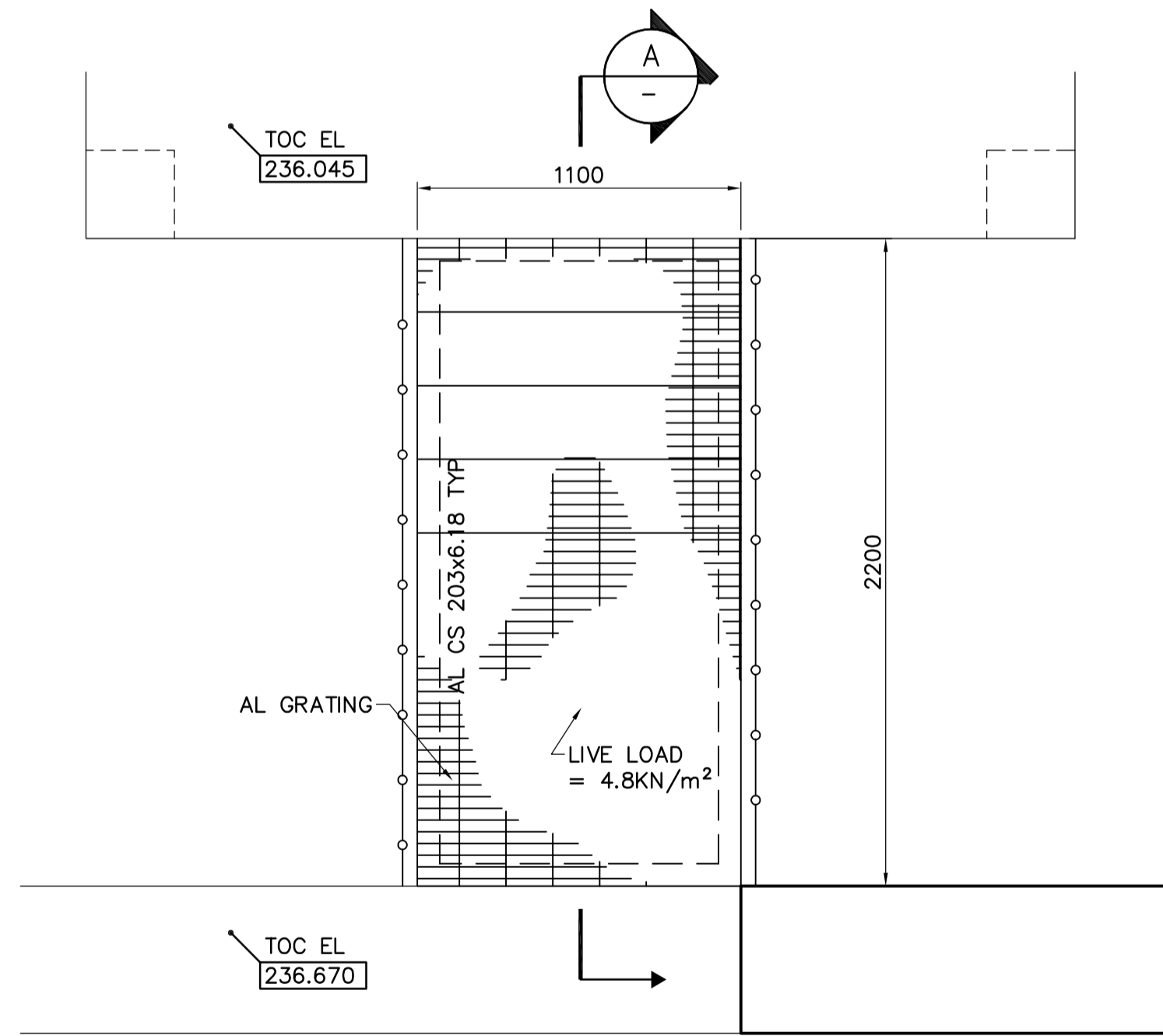
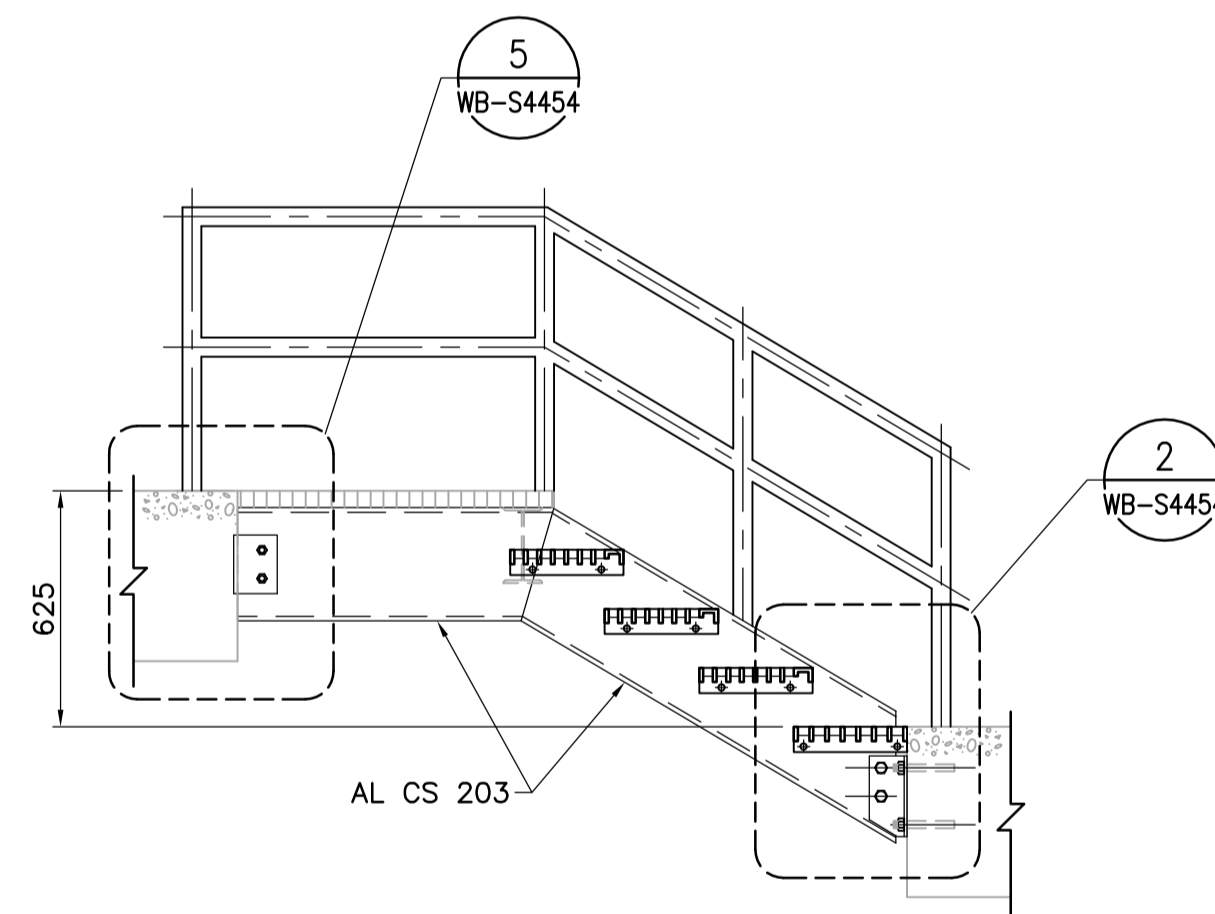


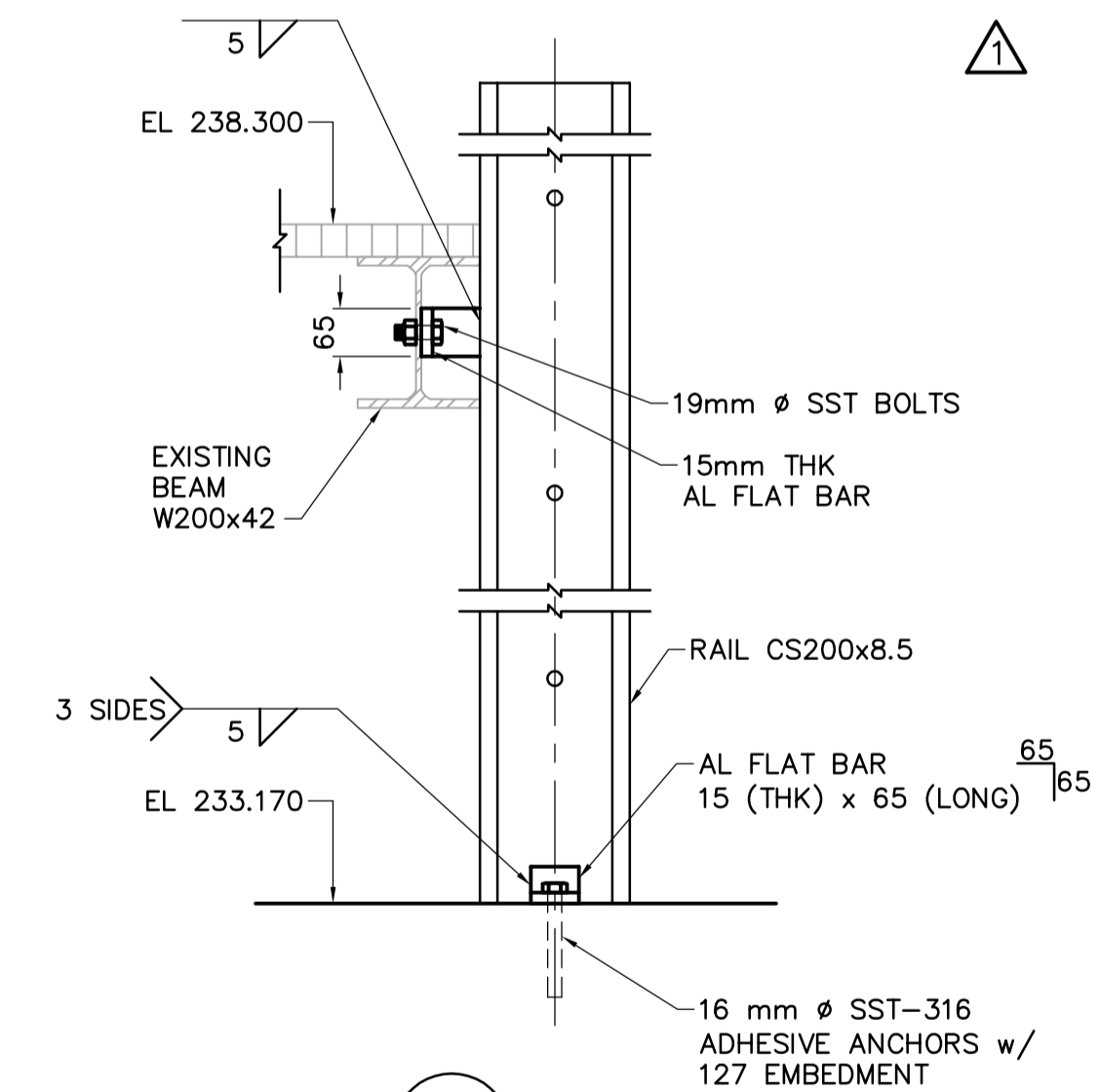
B SECTION
WA-S4131 1:50



1 DETAIL
WA-S4116 1:20

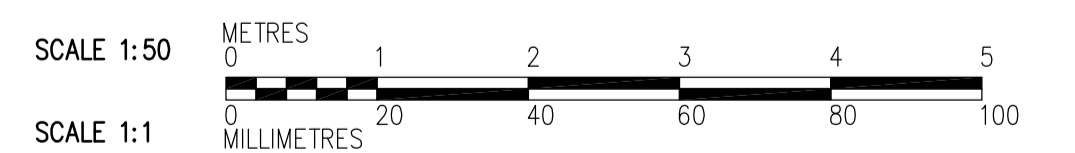


A SECTION
1:20



2 DETAIL
WA-S4116 1:10

- NOTES:**
- FOR WALL CONTROL JOINTS SEE ARCHITECTURAL DRAWINGS.
 - SEE DETAIL 2 FOR OPENING REINFORCING.
WB-S4451
 - USE NO.9 ASWG@400 FOR JOINT REINFORCEMENT.
 - FOR DETAILS OF LINTELS, BOND BEAMS, AND CORE FILLS REFER TO 2 AND 3.
WB-S4451 WB-S4451
 - COORDINATE EXACT DIMENSIONS AND LOCATIONS OF OPENINGS WITH B0 742-2005 CONTRACTOR.



 Certificate of Authorization CH2M HILL Canada Ltd. No. 1441 Expiry: April 30, 2008	B.M. ELEV.	 Frederickson Cooper ARCHITECTS	 A Tyco International Ltd. Company	ENGINEER'S SEAL	 THE CITY OF WINNIPEG WATER AND WASTE DEPARTMENT ENGINEERING DIVISION		
				DESIGNED BY: MH		CHECKED BY: AP	ORIGINAL SIGNED BY: C. MILITANO
				DRAWN BY: CR		APPROVED BY: AHL	2007/06/05
				SCALE: 1:50		RELEASED FOR CONSTRUCTION BY: R. SOROKOWSKI	CONSULTANT DRAWING NO. WA-S4202
	NO. REVISIONS	DATE	DATE	DATE	WATER TREATMENT PLANT ADMINISTRATION OFFICE AND PLANT INTERIOR FINISHES		
					STRUCTURAL ADMINISTRATION AREA SECTIONS AND DETAILS		
					CITY FILE NUMBER SHEET OF CITY DRAWING NUMBER 1-0601A-A-S4202-001-02D		