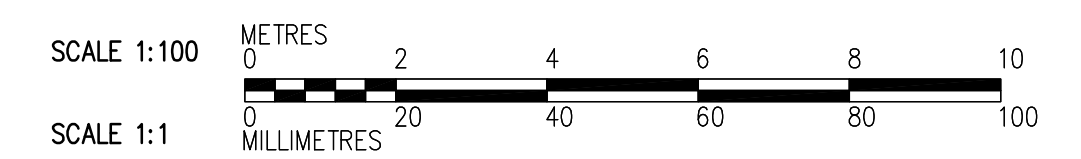
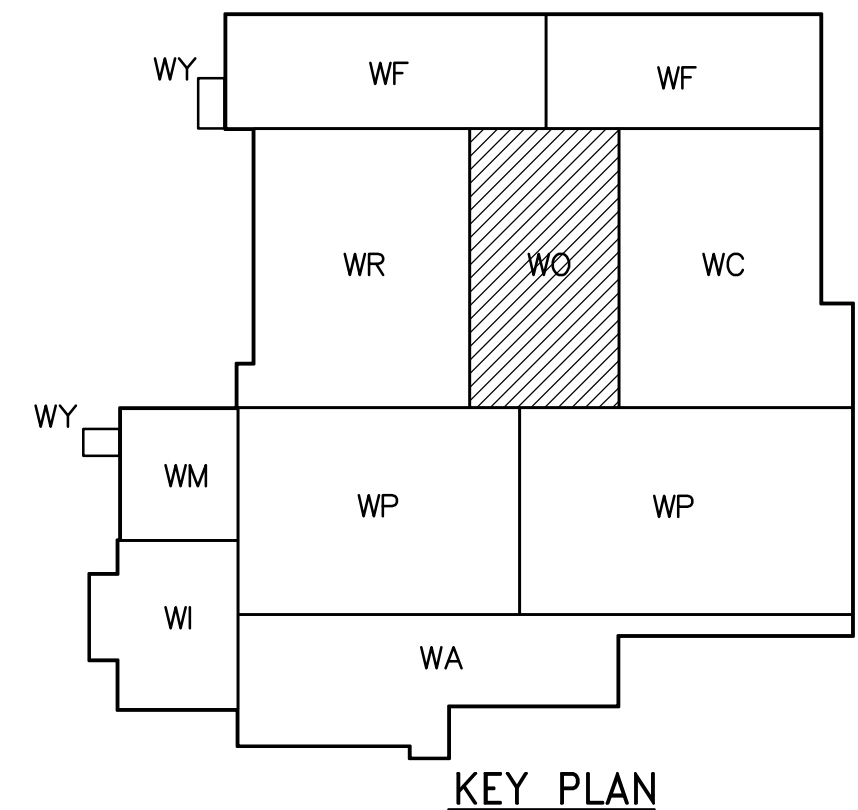
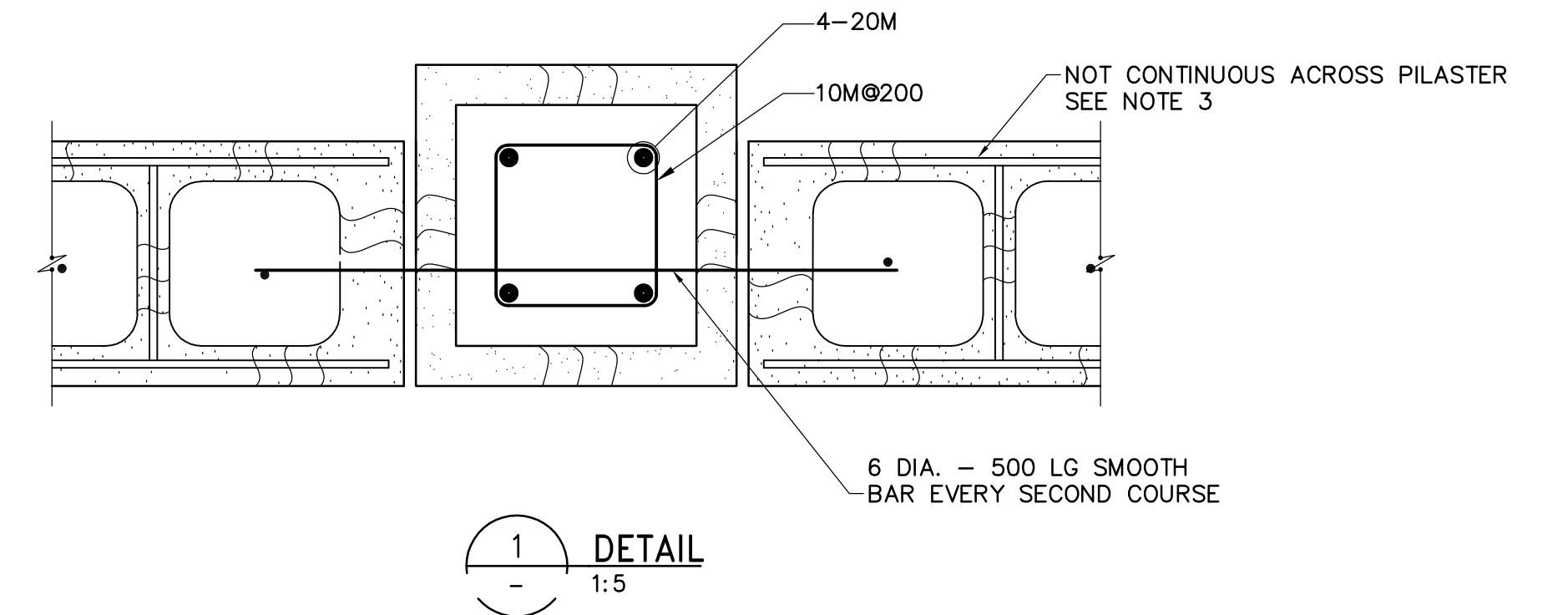


THIRD FLOOR PLAN
1:100

NOTES:

- FOR WALL CONTROL JOINTS SEE ARCHITECTURAL DRAWINGS.
- SEE DETAIL **2** FOR OPENING REINFORCING.
WB-S4451
- USE NO.9 ASWG@400 FOR JOINT REINFORCEMENT.
- FOR DETAILS OF LINTELS, BOND BEAMS, AND CORE FILLS REFER TO **2** AND **3**.
WB-S4451 WB-S4451
- COORDINATE EXACT DIMENSIONS AND LOCATIONS OF OPENINGS WITH BO 742-2005 CONTRACTOR.



 Certificate of Authorization CH2M HILL Canada Ltd. No. 1441 Expiry: April 30, 2008	 Frederickson Cooper ARCHITECTS		 A Tyco International Ltd. Company		ENGINEER'S SEAL ORIGINAL SIGNED BY C. MILITANO 2007/06/05	 THE CITY OF WINNIPEG WATER AND WASTE DEPARTMENT ENGINEERING DIVISION WATER TREATMENT PLANT OZONE OFFICE AND PLAN INTERIOR FINISHES STRUCTURAL OZONATION AREA THIRD FLOOR PLAN	CITY FILE NUMBER	
	DESIGNED BY	MH	CHECKED BY	AP	CONSULTANT DRAWING NO.		SHEET OF	
	DRAWN BY	CR	APPROVED BY	AHL	WO-S4131			
	SCALE:	1:100	RELEASED FOR CONSTRUCTION BY:	R. SOROKOWSKI			CITY DRAWING NUMBER	
NO. REVISIONS	DATE	BY	DATE	DATE	2007/06/05	DATE	2007/05/06	1-06010-A-S4131-001-01D