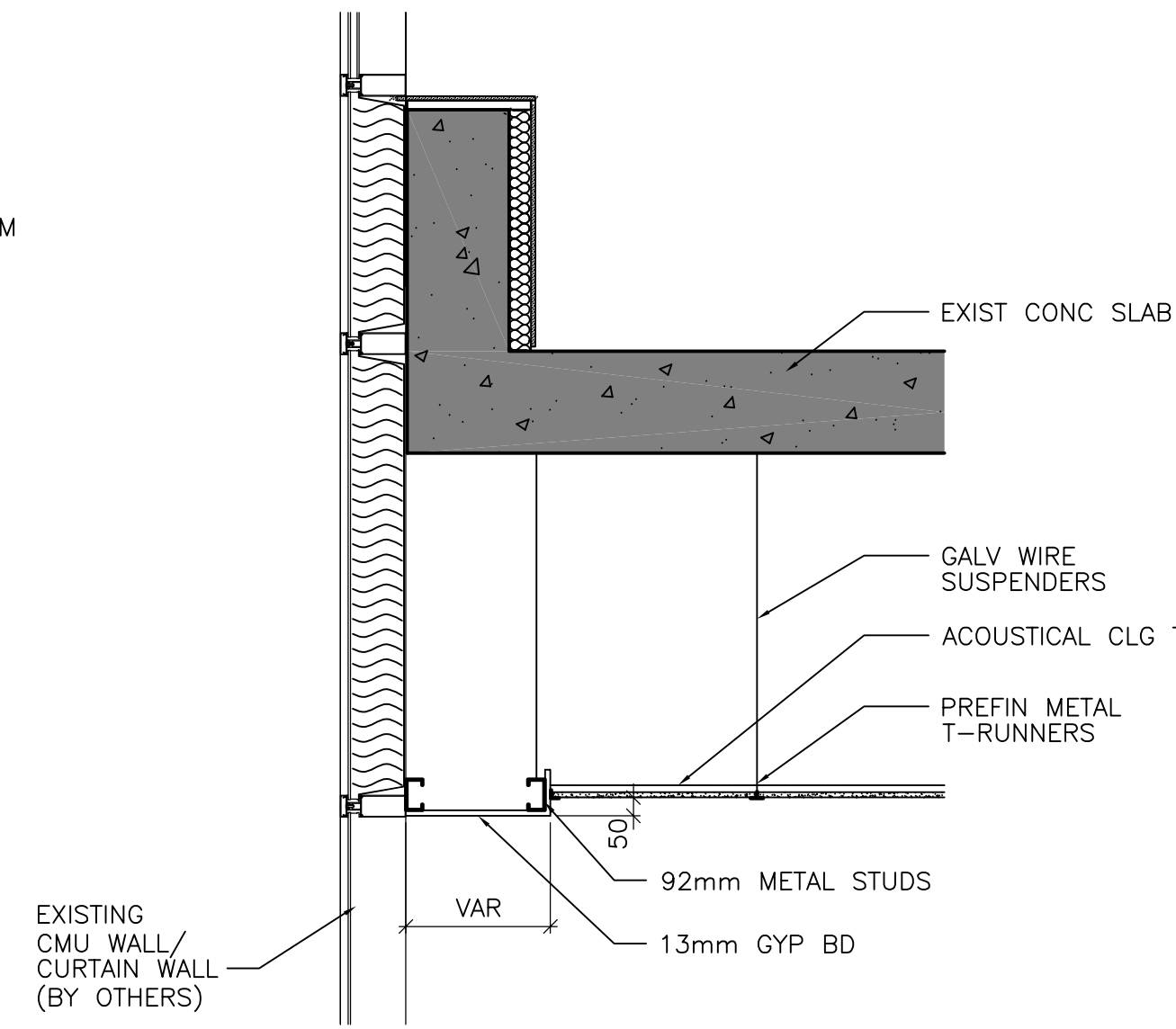
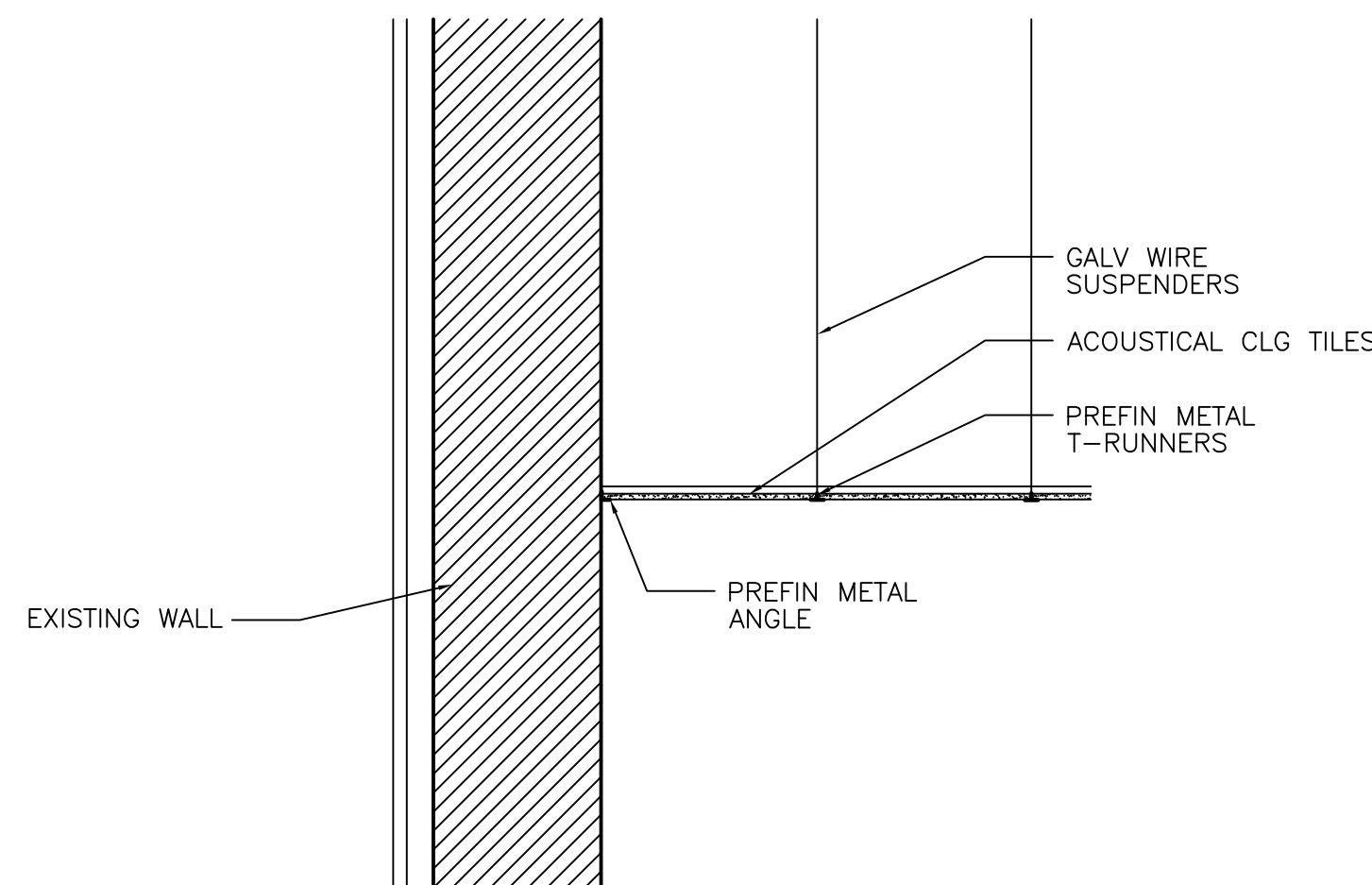


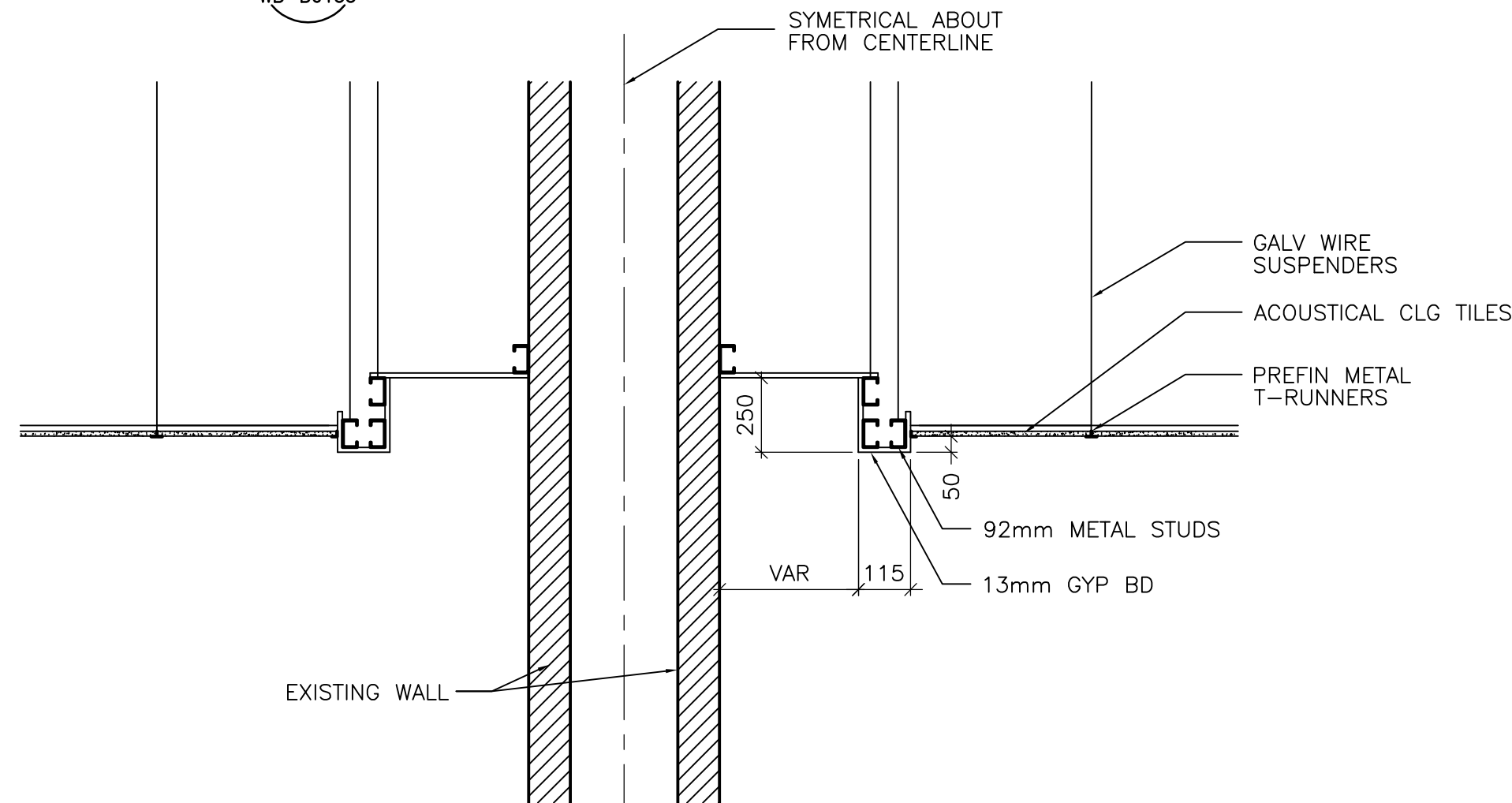
1 WALL SECTION  
WB-B0120 1 : 20



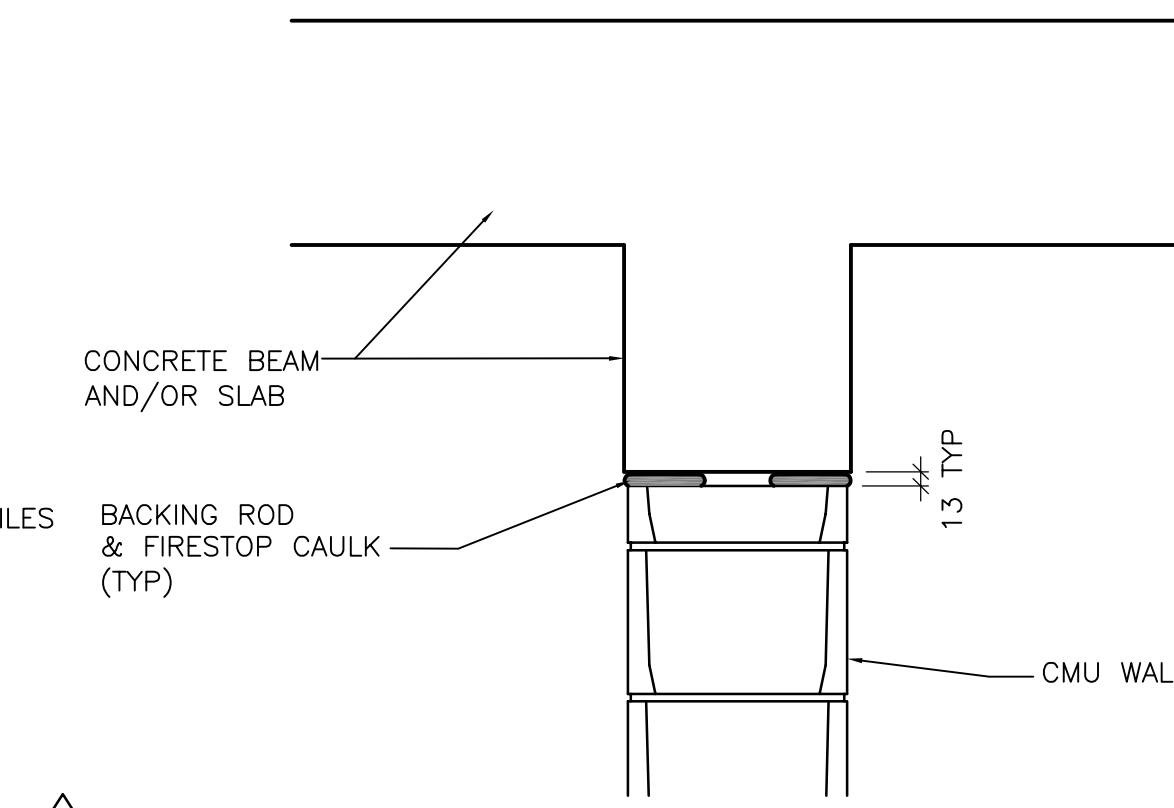
2 TYP CEILING DETAIL @ BULKHEAD  
WB-B0152 1 : 20



3 TYP CEILING DETAIL @ ACT  
WB-B0153 1 : 20

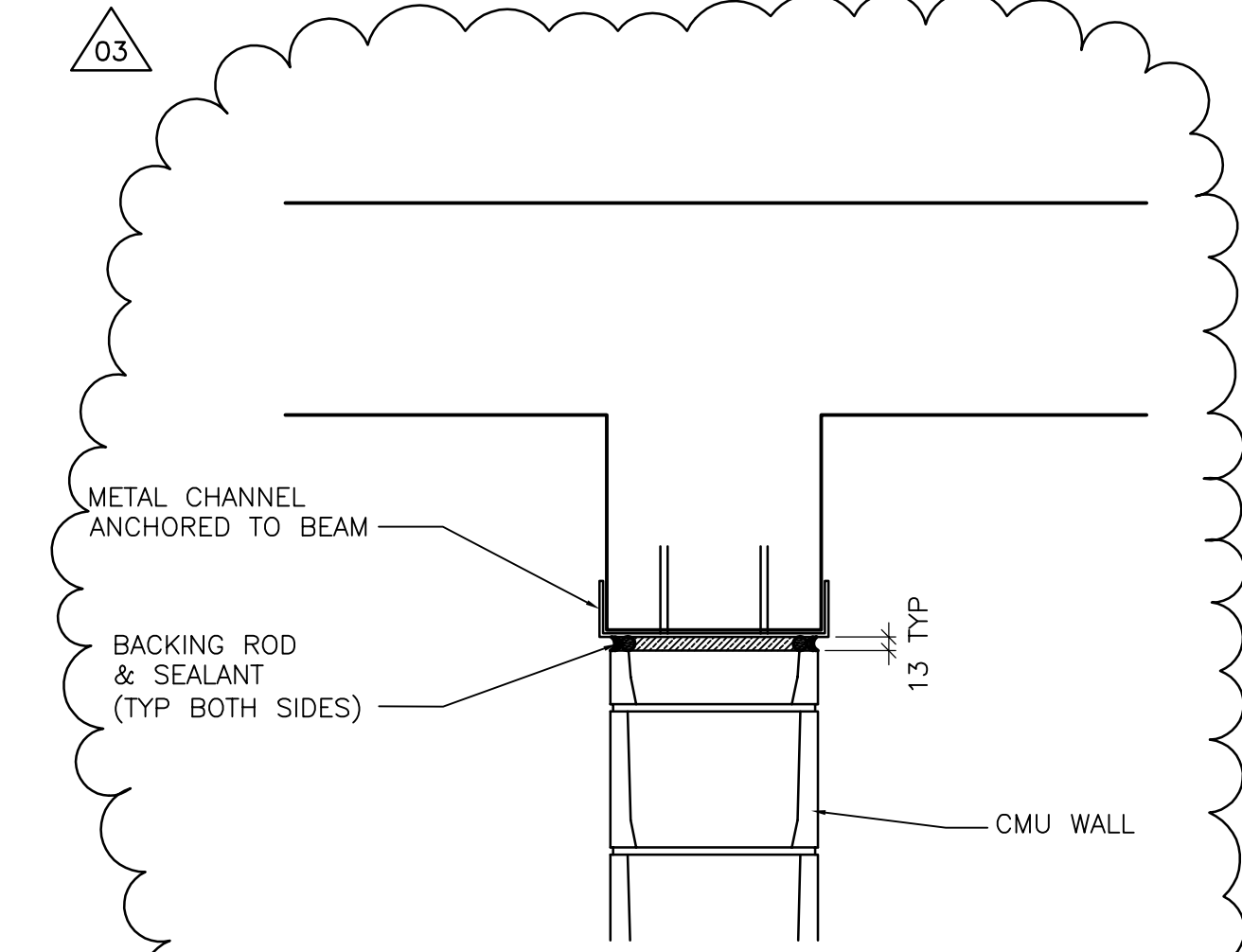


4 TYP CEILING DETAIL @ LIGHTING COVE  
WB-B0152 1 : 20

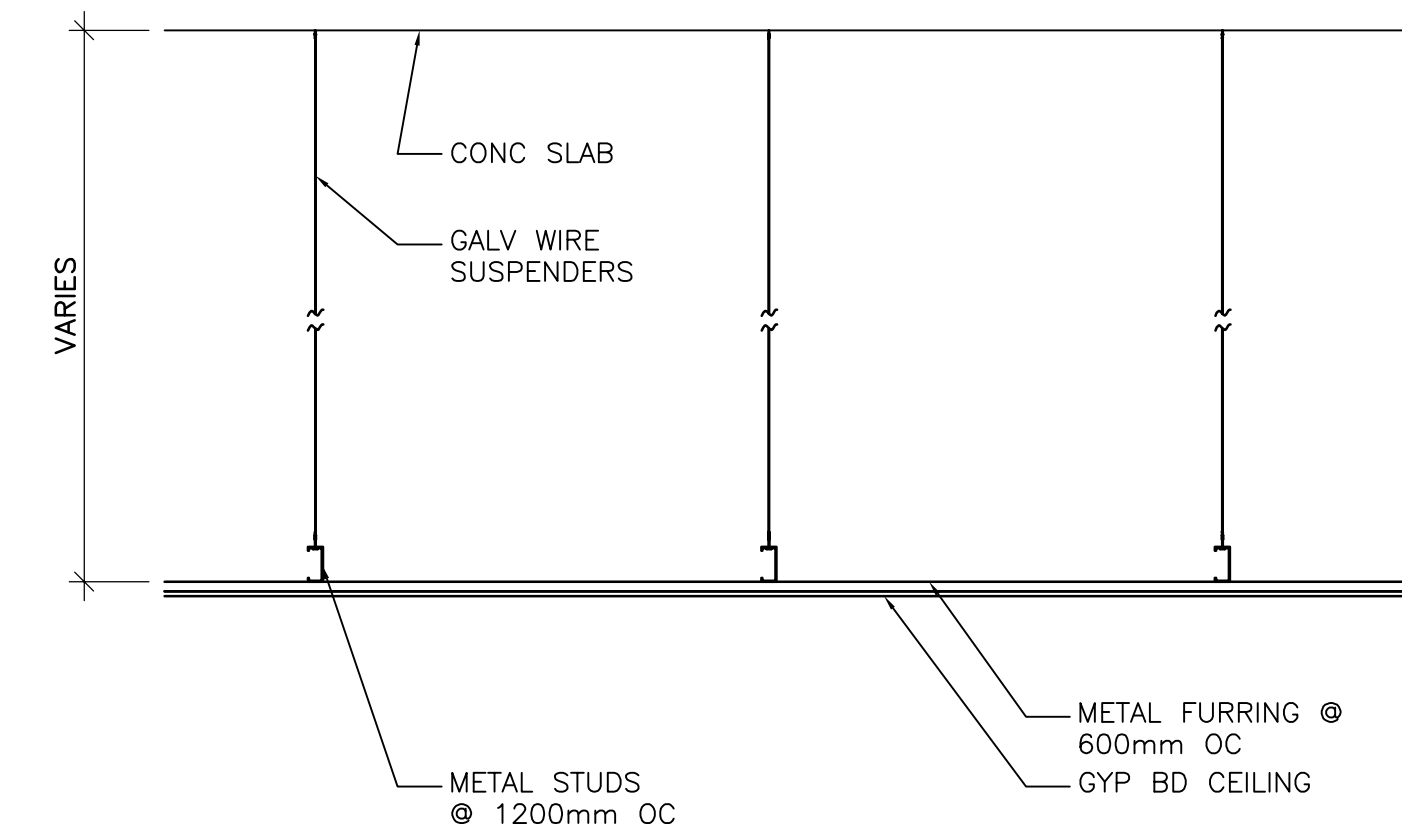


5 TYP DETAIL @ INT FIRE RATED CMU WALLS  
WB-B0154 1 : 10

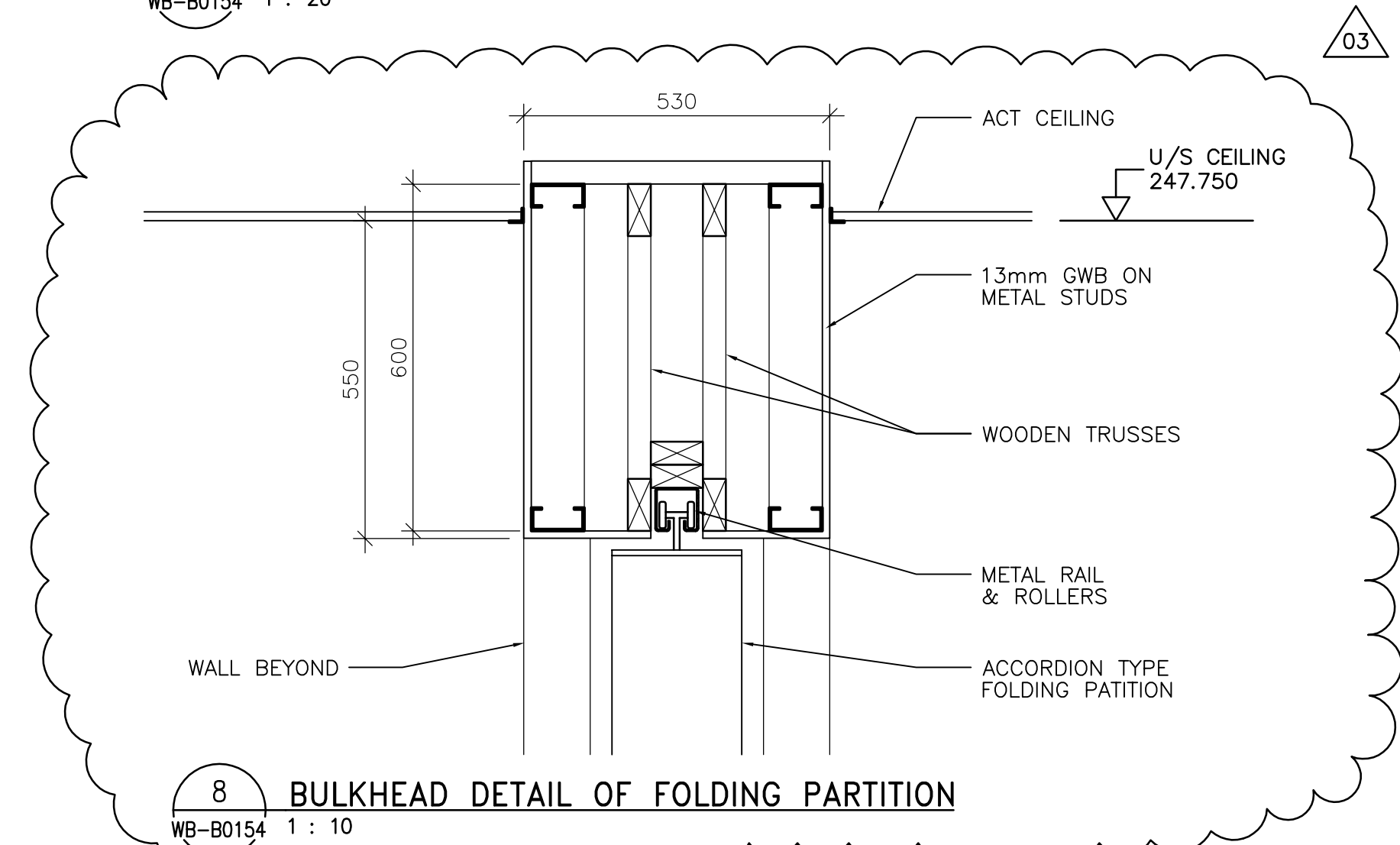
NOTE: FIRESTOPPING TO MEET REQUIREMENTS OF WALL FIRE RATINGS



6 TYP DETAIL @ INTERIOR CMU WALLS  
WB-B0154 1 : 10



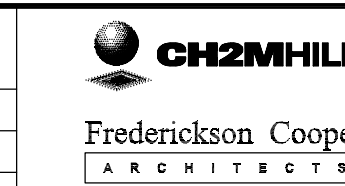
7 TYP DETAIL @ DRYWALL CEILING  
WB-B0154 1 : 20



8 BULKHEAD DETAIL OF FOLDING PARTITION  
WB-B0154 1 : 10



NO.	REVISIONS	DATE	BY
03	95-2007 ADDENDUM 06	07/07/20	LK
02	95-2007 ADDENDUM 05	07/07/13	LK
01	95-2007 ADDENDUM 01	07/06/12	LK
00	ISSUED FOR TENDER	07/06/05	LK



DESIGNED BY	MG	CHECKED BY	BJS
DRAWN BY	AL	APPROVED BY	AHL
SCALE:	AS NOTED	RELEASED FOR CONSTRUCTION BY:	R. SOROKOWSKI
DATE	2005/08/05	DATE	2007/06/05

ENGINEER'S SEAL	ORIGINAL SIGNED BY	NEIL COOPER
		2007/06/05
CONSULTANT DRAWING NO.	WB-B0154	

WATER TREATMENT PLANT MAIN BUILDING OFFICE AND PLANT INTERIOR FINISHES	
CITY FILE NUMBER	
SHEET OF	
CITY DRAWING NUMBER	1-0601B-A-B0154-001-03D